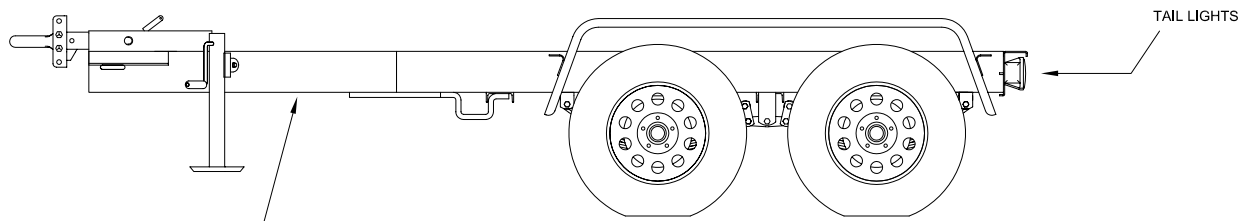
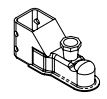
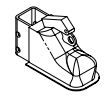


45US GENERATOR TRAILER	
LENGTH	149"
WIDTH	65"
FRAME WIDTH	45"
FRAME MATL	6" x 8.2# CHANNEL
CROSS MEMBERS	4
AXLE	(2) 3500 LB RATING
TIRES	(4) 205-14C, 1760# RATING
GVWR	7,000 LBS.
JACK	2K FULTON JACK
BRAKES (STD.)	10" HYD. W/ HYDRAULIC SURGE ACTUATOR
BRAKES (OPT.)	10" ELECTRIC



HITCH OPTIONS	
3" ADJUSTABLE EYE (P/N 16137-00)	SHOWN
2" BALL COUPLER (P/N 31080-C HD)	
2-5/16" BALL COUPLER (P/N 18820-00)	

NOTES: (UNLESS OTHERWISE SPECIFIED)

PROPRIETARY
NOT FOR DISTRIBUTION
 PROPERTY OF:
MIGHTY MOVER TRAILERS, INC.
 224 N SHERMAN AVENUE
 CORONA, CA 92882-1843
 (909) 736-0225 (800) 920-2233

SHOP SPECIFICATIONS FOR:
45 US
MODEL 3i000-00 - FRAMING PLAN
TRAILER
P/N 31000-00

REFERENCE INFO.
 DRAWING NO.: 45US 01
 SERIES NO.:
 MODEL: 31000-00
 START DATE:
 PLOT DATE: 02/05/04
 DRAWN BY: B. WOOD

DESCRIPTION	NO.	BY	DATE
	▲		
	▲		
	▲		
	▲		
	▲		