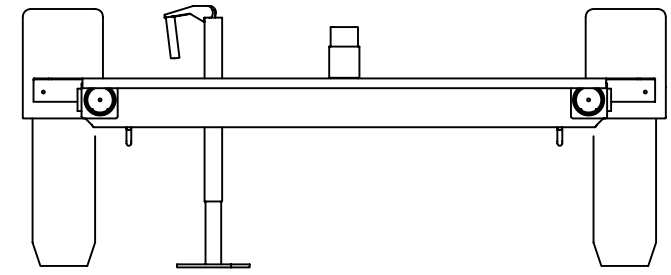
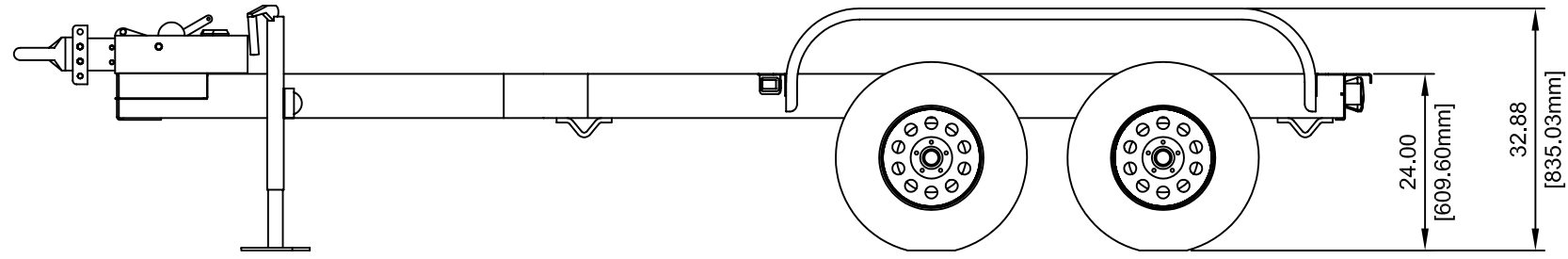
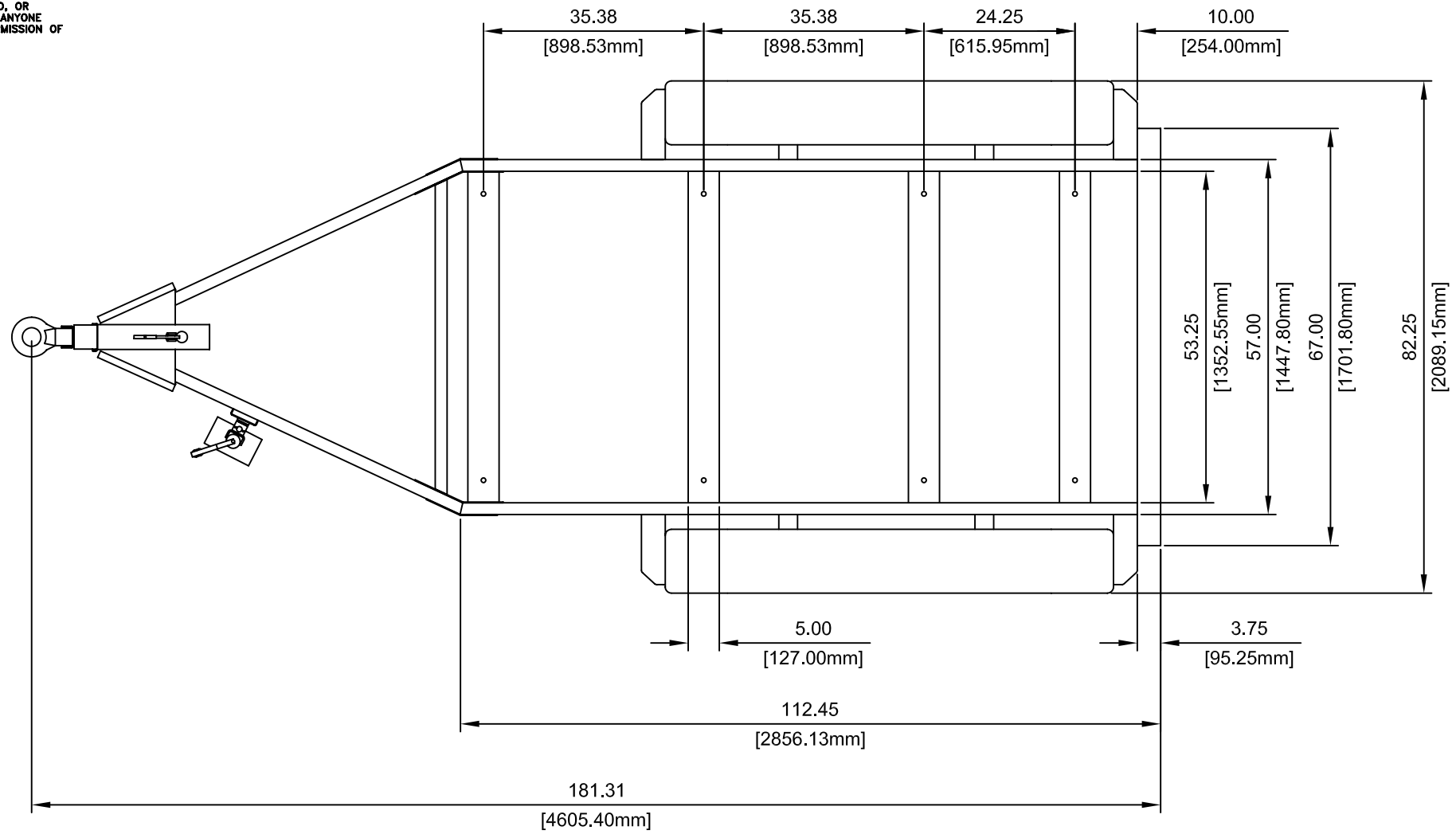


THIS DRAWING AND THE DATA DISCLOSED HEREIN OR HEREWITH IS CONFIDENTIAL AND PROPRIETARY AND IS NOT TO BE REPRODUCED, USED, OR DISCLOSED IN WHOLE OR IN PART TO ANYONE WITHOUT THE EXPRESSED WRITTEN PERMISSION OF MULTIQUIP COMPANY.

DWG. NO.		112857		REVISION		A		1	
REVISIONS									
ZONE	LTR	DESCRIPTION				DATE	APPROVED		



TRAILER TRLR70	
WEIGHT	1,070lbs
LENGTH	182"
WIDTH	83"
FRAME WIDTH	57"
AXLE	3500#
TIRES	ST 205/75 D15
WHEELS	15 X 6 WHITE MINI MOD
GVWR	7,000#
JACK	FULTON, #2,000
HITCH	3" ADJUSTABLE EYE

UNLESS OTHERWISE SPECIFIED DIMENSIONS ARE IN INCHES TOLERANCES ARE :		CUSTOMER		<b>MQ POWER</b> TEL: (310) 537-3700/FAX: (310) 632-2656 18910 WILMINGTON AVENUE CARSON, CA 90746			
FRACTIONS	DECIMALS	ANGLES	JOB NO.				
±	.XX ±	±					
	.XXX ±						
DERIVED FROM		MATERIAL		APPROVALS		DATE	
REV	DATE	FINISH		DRAWN			
A				J. TRAN		4-2-04	
CAD CODE		DO NOT SCALE DRAWING		CHECKED			
112857A				SALESMAN			
				SCALE			
				1 = 12			
				SHEET		1 / 1	

DWG. NO. 112857

A