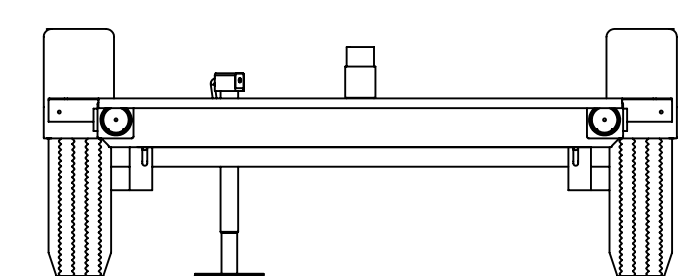
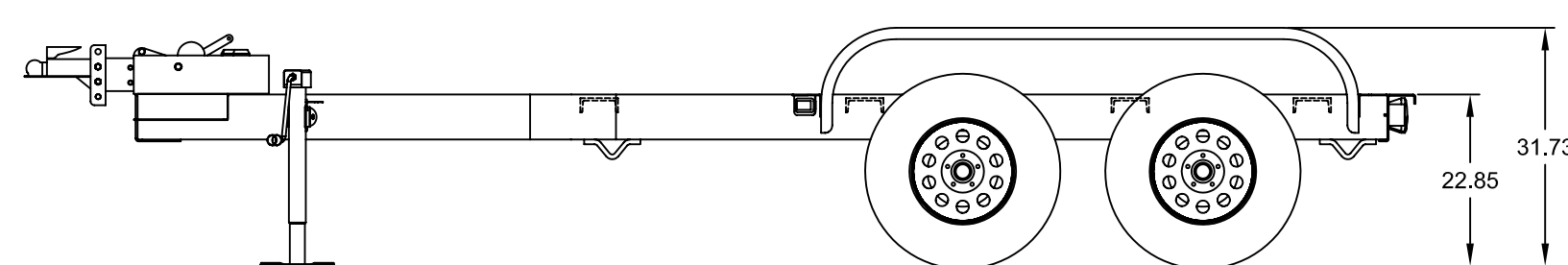
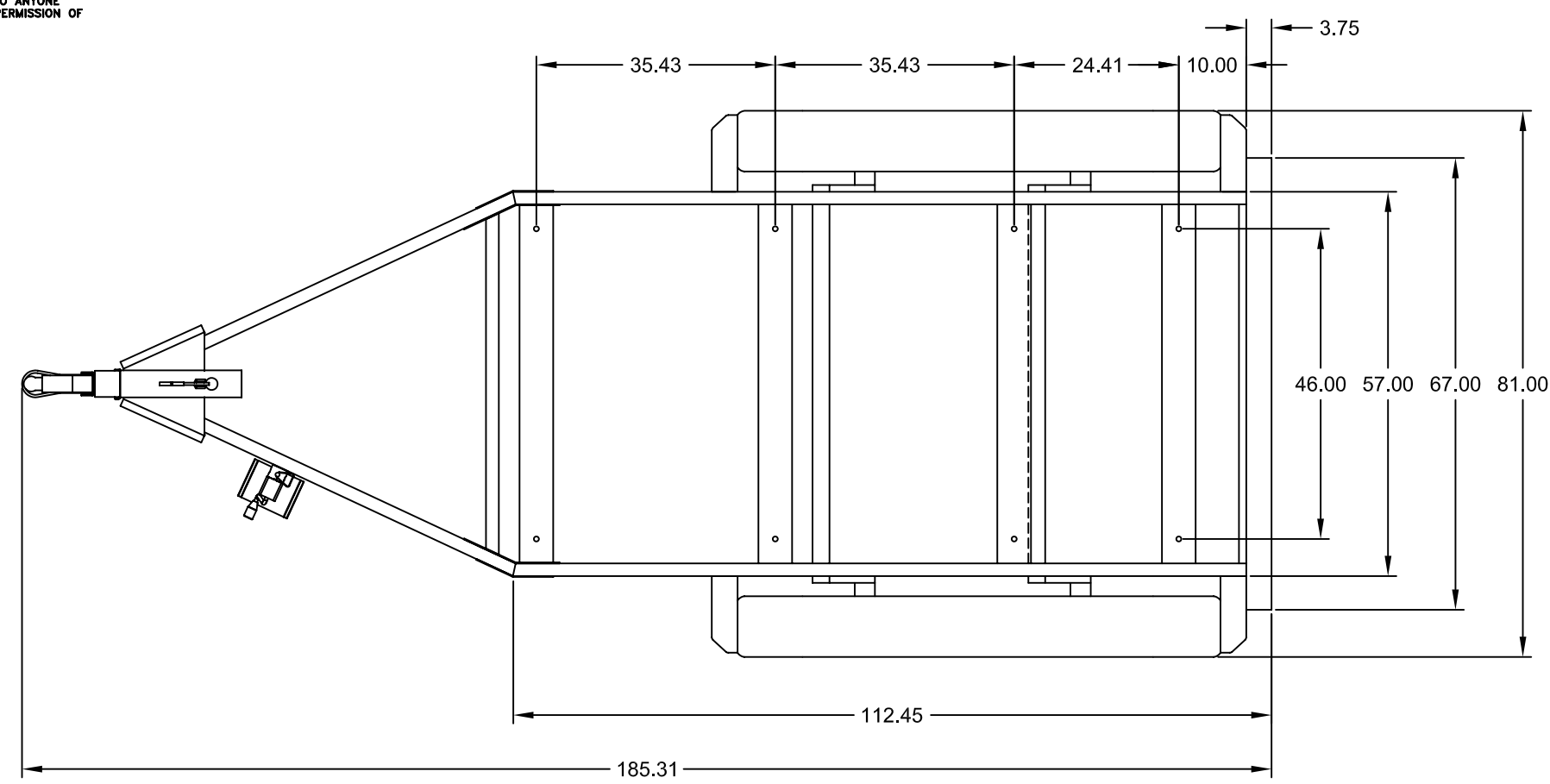


THIS DRAWING AND THE DATA DISCLOSED HEREIN OR HEREWITH IS CONFIDENTIAL AND PROPRIETARY AND IS NOT TO BE REPRODUCED, USED, OR DISCLOSED IN WHOLE OR IN PART TO ANYONE WITHOUT THE EXPRESSED WRITTEN PERMISSION OF MULTIQUIP COMPANY.

DWG. NO.		112857		REVISION	D	1	
REVISIONS							
ZONE	LTR	DESCRIPTION	DATE	APPROVED			
B		CHANGED FULTON JACK TO BULLDOG JACK	12-23-04	JT			
C		UPDATED DRAWING	3-3-05	JT			
D		UPDATED DRAWING	4-6-05	JT			
D		RENAME MODEL FROM 70US TO 85USH	5-16-06	JT			



TRAILER TRLR85USH (HYDRAULIC)	
WEIGHT	1,070lbs
LENGTH	182"
WIDTH	83"
FRAME WIDTH	57"
AXLE	3500#
TIRES	ST 205/75 D15
WHEELS	15 X 6 WHITE MINI MOD
GVWR	7,000#
JACK	BULLDOG, #2,000
HITCH	2" ADJUSTABLE COUPLER (8,000#)

UNLESS OTHERWISE SPECIFIED DIMENSIONS ARE IN INCHES TOLERANCES ARE :		CUSTOMER		MQ POWER TEL: (310) 537-3700/FAX: (310) 632-2656 18910 WILMINGTON AVENUE CARSON, CA 90746			
FRACTIONS	DECIMALS	ANGLES	JOB NO.				
±	.XX ±	±					
	.XXX ±						
DERIVED FROM		MATERIAL		APPROVALS		DATE	
REV	DATE	FINISH		DRAWN		DATE	
D	5-16-06	DO NOT SCALE DRAWING		J. TRAN		4-2-04	
CAD CODE		SALESMAN		CHECKED		SIZE	
112857D						D	
						SCALE	
						1 = 12	
						SHEET	
						1 / 1	

DWG. NO. 112857

REVISION D

A