

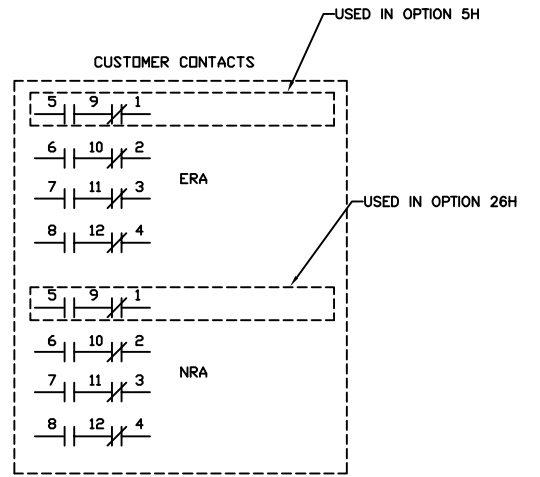
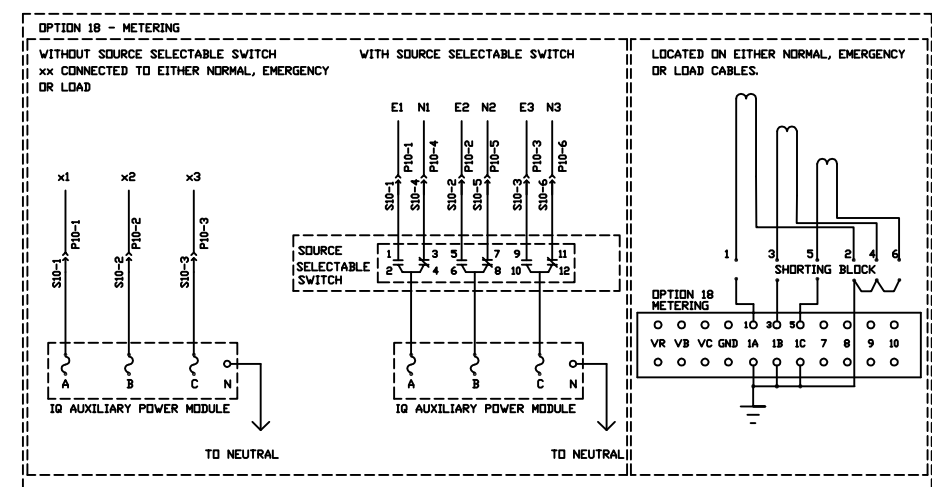
LEGEND & NOTES	
	COMMON REFERENCE
	CURRENT TRANSFORMER LOCATED PER 18x OPTION
	FEMALE CONNECTION
	FIXED MOUNT SWITCHING DEVICE
	FUSE
	INDICATOR LIGHT
	MALE CONNECTION
	MECHANICAL INTERLOCK
	MULTITAP TRANSFORMER
	N.C. PUSHBUTTON
	N.C. SELECTOR SWITCH
	N.O. CONTACT
	N.O. PUSHBUTTON
	N.O. SELECTOR SWITCH
	RELAY OR TIMER, 120VAC
	TERMINAL BLOCK
EPRR - EMERGENCY PHASE ROTATION RELAY	
ERA - EMERGENCY AUXILIARY RELAY	
ERB - EMERGENCY AUXILIARY RELAY	
ESx - EMERGENCY AUXILIARY SWITCH	
ETx - EMERGENCY TRANSFORMER	
Ex - EMERGENCY CUSTOMER CONNECTION	
FSx - FUSE HOLDER	
IQSS - IQ SELECTOR SWITCH	
KV - VOTING RELAY	
NPRR - NORMAL PHASE ROTATION RELAY	
NRA - NORMAL AUXILIARY RELAY	
NSx - NORMAL AUXILIARY SWITCH	
NTx - NORMAL TRANSFORMER	
Nx - NORMAL CUSTOMER CONNECTION	
Px - FEMALE CONNECTOR	
SDSS - SERVICE DISCONNECT SELECTOR SWITCH	
SDSSx - SDSS CONTACT	
Sx - MALE CONNECTOR	
TDCL - TIME DELAY CRANK LIMITER	
Tx - LOAD CUSTOMER CONNECTION	
NOTE A: PHASE CONNECTIONS TO IQ ARE ON LOAD SIDE OF FSx IF SERVICE EQUIPMENT OTHERWISE, CONNECTED TO MAIN TERMINALS	
NOTE B: TERMINALS ARE TO BE CONNECTED TO REMOTE START CONTACT FROM GENERATOR	
NOTE C: NEUTRAL SWITCHED ON 4 POLE DEVICE	

Pin Assignments

Pin	NT1	ET1
1		
2		
3		
4		
5		
6		
7		
8		

P7/S7 Voltage Selector plug detail

Voltage	Color
208	black
220	brown
240	blue
380	green
415	blk/wht
480	grn/wht
600	red



REVISION	DATE	BY	APPD
1			
2			
3			
4			
5			
6			
7			
8			
9			
10			
11			
12			
13			
14			
15			
16			

THE INFORMATION ON THIS DOCUMENT WAS CREATED BY CUTLER-HAMMER. IT WAS DISCLOSED IN CONFIDENCE AND IS ONLY TO BE USED FOR THE PURPOSE IN WHICH IT WAS SUPPLIED.

FEDERAL ID NO. 88725 PRODUCT CODE 6448 REVISION 16

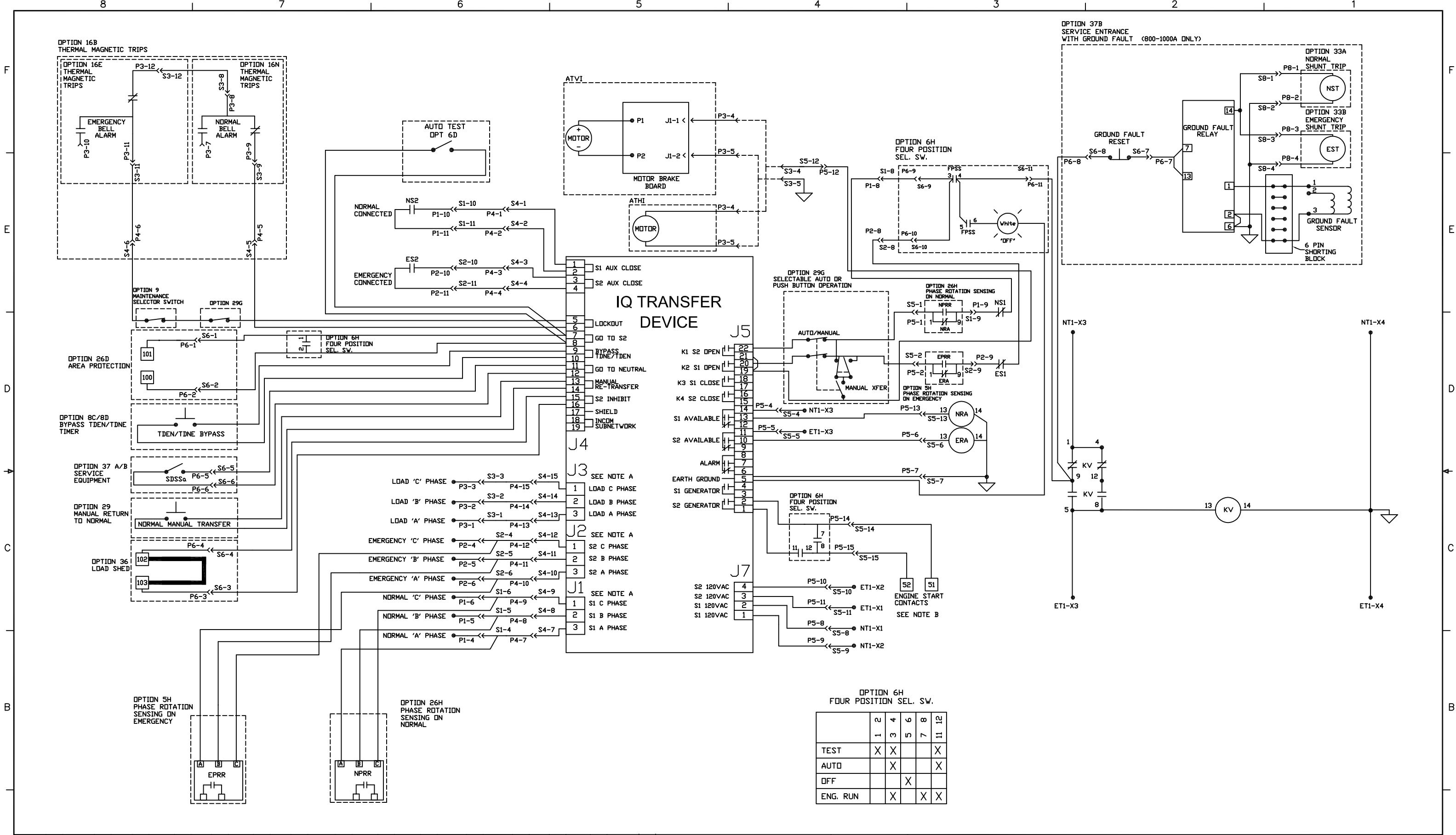
DFTR J. MAZUR DATE 04/17/1998
 APPD J.R. FARLS DATE
 S.O.

FATON | Cutler-Hammer

TITLE AUTOMATIC TRANSFER SWITCH ATVI/ATHI WALL MOUNT ATS

TYPE WIRING DIAGRAM

G.O. DWG 5724B11 SHEET 1 OF 2



1	GS-
2	REVISION
3	NOTES ADDED TO CUSTOMER CONTACTS. SHEET 2, REMOVED FROM SHEET 1, & 296.
4	CHG P5-14 & P5-5 TO P5-14 & S5-14.
5	ADD OPTION 37B. INFANTOZZI 11/15/02. LATHROP PRINCE
6	ADD OPTION 37B. INFANTOZZI 04/23/2002. LATHROP PRINCE
7	REMOVED OPTION 37B. INFANTOZZI 06/09/2002. MARTIN PRINCE
8	REMOVE WIRE SHEET 2. INFANTOZZI 12/30/2002. LATHROP SPADA
9	REMOVE WIRE SHEET 2. INFANTOZZI 04/22/2003. BEARD SPADA
10	SWITCH S4-5/7/9-5 WITH S4-6/7/9-6 ON SHEET 2. INFANTOZZI 06/28/2003. MARTIN PRINCE
11	ADD "OUTSIDE DRAWING FIELD" NOTE. INFANTOZZI 10/23/2003. KOZAR PRINCE
12	NO CHANGE. INFANTOZZI 05/21/02. MARTIN PRINCE
13	REVISE PER MARKUP. HEG 05/23/2004. MARTIN PRINCE
14	CORRECT REVISION LEVEL. INFANTOZZI 06/29/2004. MARTIN PRINCE
15	ADD NEW FORMAT. HEG 06/09/2005. LATHROP PRINCE
16	ADD OPTION 37B. SEE 15F AND 296. NUMBER DISAPPEARED FOR 10 CONTROLLER DEVICE. A. WILEY 06/09/07. D. UNDERWOOD

OPTION 16B THERMAL MAGNETIC TRIPS

OPTION 16E THERMAL MAGNETIC TRIPS

OPTION 16N THERMAL MAGNETIC TRIPS

EMERGENCY BELL ALARM

NORMAL BELL ALARM

AUTO TEST OPT 6D

ATVI

MOTOR BRAKE BOARD

ATHI

OPTION 9 MAINTENANCE SELECTOR SWITCH

OPTION 29G SELECTABLE AUTO OR PUSH BUTTON OPERATION

OPTION 26D AREA PROTECTION

OPTION 8C/8D BYPASS T/DEN/TDNE TIMER

OPTION 37 A/B SERVICE EQUIPMENT

OPTION 29 MANUAL RETURN TO NORMAL

OPTION 36 LOAD SHED

OPTION 5H PHASE ROTATION SENSING ON EMERGENCY

OPTION 26H PHASE ROTATION SENSING ON NORMAL

OPTION 6H FOUR POSITION SEL. SW.

OPTION 33A NORMAL SHUNT TRIP

OPTION 33B EMERGENCY SHUNT TRIP

GROUND FAULT RESET

GROUND FAULT RELAY

GROUND FAULT SENSOR

6 PIN SHORTING BLOCK

OPTION 29G SELECTABLE AUTO OR PUSH BUTTON OPERATION

OPTION 26H PHASE ROTATION SENSING ON NORMAL

OPTION 5H PHASE ROTATION SENSING ON EMERGENCY

OPTION 6H FOUR POSITION SEL. SW.

ENGINE START CONTACTS

THE INFORMATION ON THIS DOCUMENT WAS CREATED BY CUTLER-HAMMER. IT WAS DISCLOSED IN CONFIDENCE AND IS ONLY TO BE USED FOR THE PURPOSE IN WHICH IT WAS SUPPLIED.

FEDERAL ID NO. 88725 PRODUCT CODE 6448

REVISION 16

G.O. DWG 5724B11 SHEET 2 OF 2

DFTR J. MAZUR DATE 04/17/1998

APPD J.R. FARLS DATE

S.O.

FATON | **Cutler-Hammer**

TITLE AUTOMATIC TRANSFER SWITCH ATVI/ATHI WALL MOUNT ATS

TYPE WIRING DIAGRAM