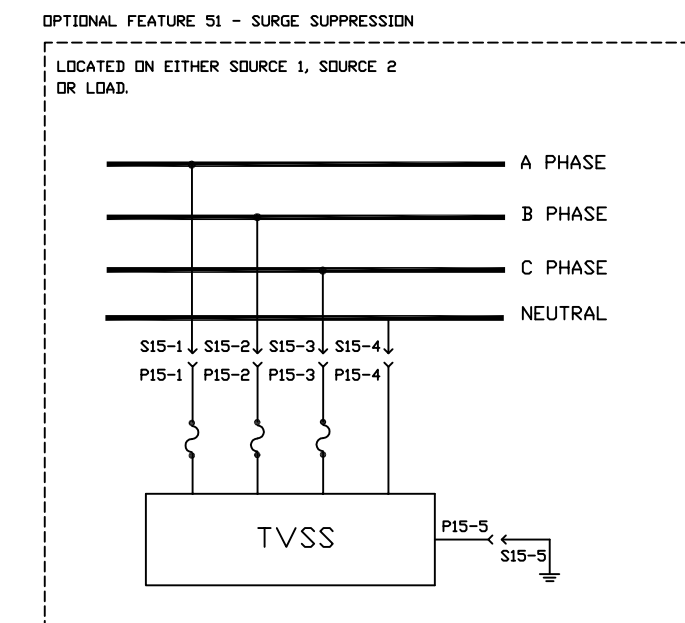
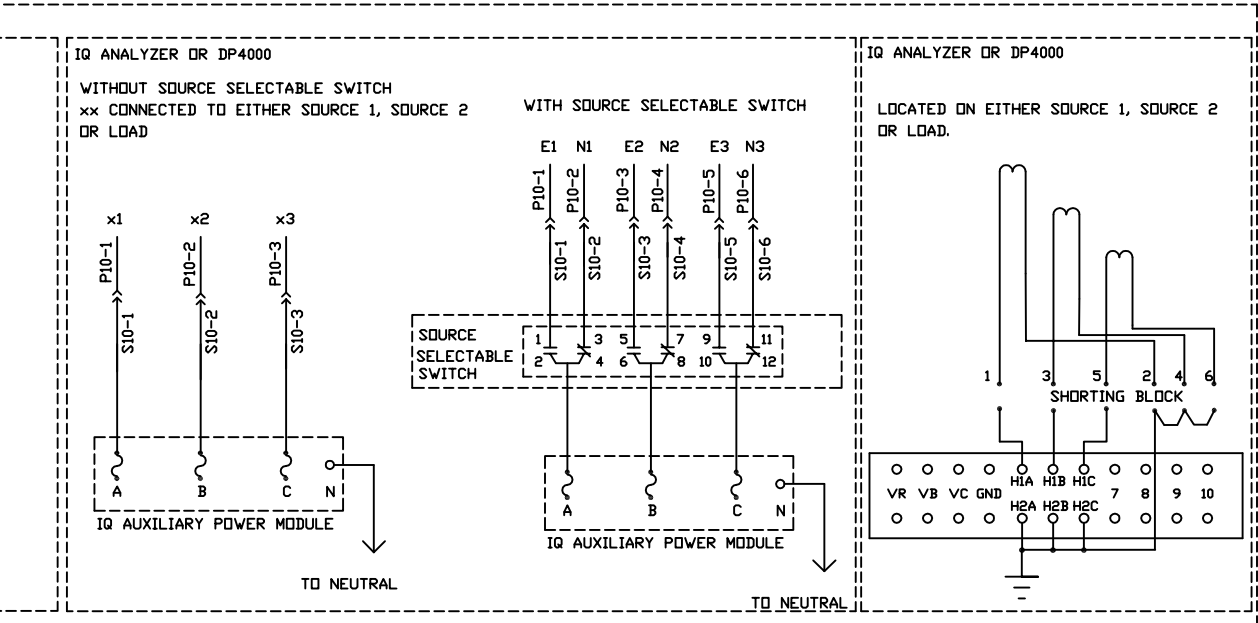
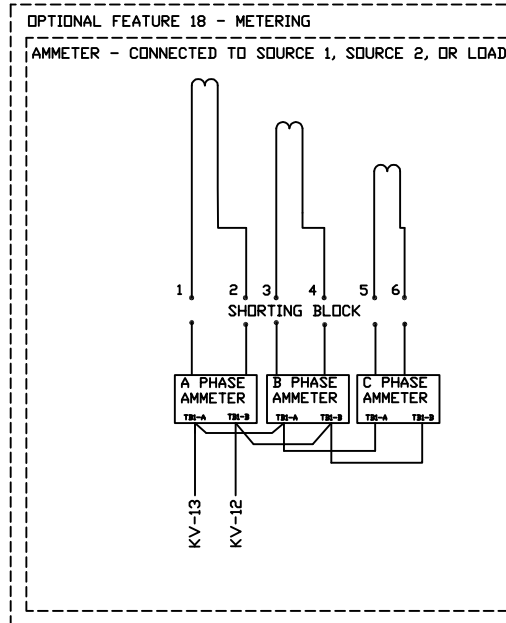


LEGEND & NOTES	
	COMMON REFERENCE
	FEMALE CONNECTION
	FIXED MOUNT
	SWITCHING DEVICE
	FUSE
	INDICATOR LIGHT
	MALE CONNECTION
	N.C. PUSHBUTTON
	N.C. SELECTOR SWITCH
	N.C. CONTACT
	N.O. CONTACT
	N.O. PUSHBUTTON
	N.O. SELECTOR SWITCH
	RELAY OR TIMER, 120VAC
	TERMINAL BLOCK
ESx - SOURCE 2 AUXILIARY SWITCH Ex - SOURCE 2 CUSTOMER CONNECTION FSx - FUSE HOLDER KV - VOTING RELAY NSx - SOURCE 1 AUXILIARY SWITCH Nx - SOURCE 1 CUSTOMER CONNECTION Px - FEMALE CONNECTOR SDSS - SERVICE DISCONNECT SELECTOR SWITCH SDSSx - SDSS CONTACT Sx - MALE CONNECTOR Tx - LOAD CUSTOMER CONNECTION NOTE A: TERMINALS ARE TO BE CONNECTED TO REMOTE START CONTACT FROM GENERATOR NOTE B: IF THIS OPTION IS INSTALLED, THE TRANSFER SWITCH WILL BE LABELED NON-AUTOMATIC TRANSFER SWITCH NOTE C: NEUTRAL SWITCHED ON 4 POLE DEVICE NOTE D: REMOVE TO TRANSFER TO SOURCE 2	

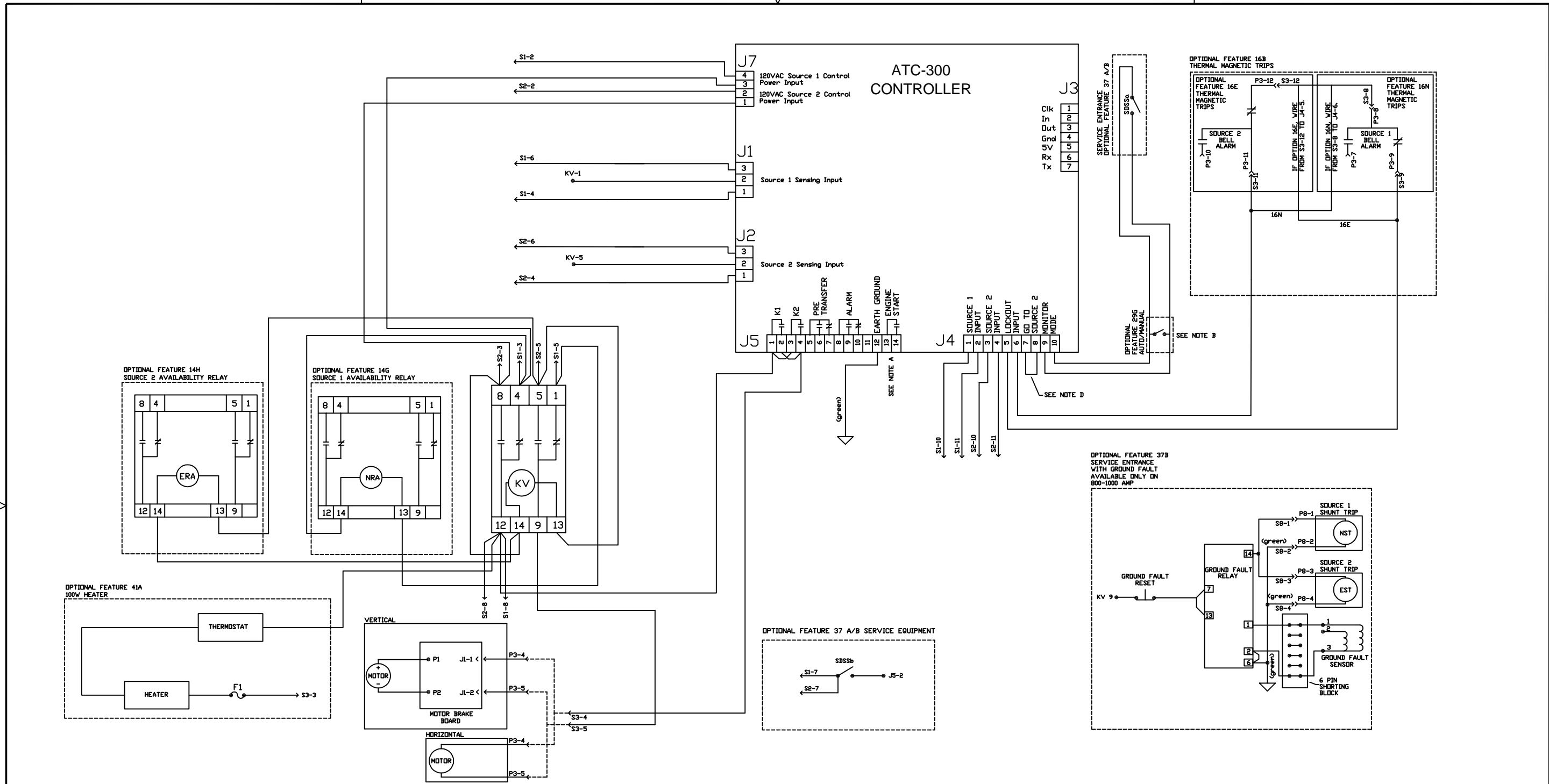


1	2	3	4
REVISION GS-1939	RN # GS-2105 KV13 AND KV9 CONNECTIONS NOT CORRECT LATHROP 3/29/04 LATHROP PRINCE	RN # GS-2159 REVISE PER MARKUP HEG 06/02/2004 LATHROP PRINCE	RN # GS-2182 NO CHANGE THIS SHEET SEE SHEET 2. KOZAR 06/28/2004 MARTIN PRINCE

UNLESS OTHERWISE SPECIFIED	
DIMENSIONS IN INCHES	
ONE PLACE DEC	±0.1
TWO PLACE DEC	±0.02
THREE PLACE DEC	±0.005
ANGLES	±0.5
ONE PLACE MM	±0.5
TWO PLACE MM	±0.13
VOLTAGE	±5%
RESISTANCE	±10%
AMPERAGE	±2%
FORCE, TORQUE, SPEED	±10%
TIME	±1%
TEMPERATURE	±3°C ±5°F
DIMENSIONS TO BE INTERPRETED IN ACCORDANCE WITH ASME Y14.5M-1994	

DFTR KOZAR	DATE 10/07/2003
APPD LATHROP	
APPD PRINCE	
ENGR REF	
NEXT ASSY	
TOOL REF	
DSPEC	

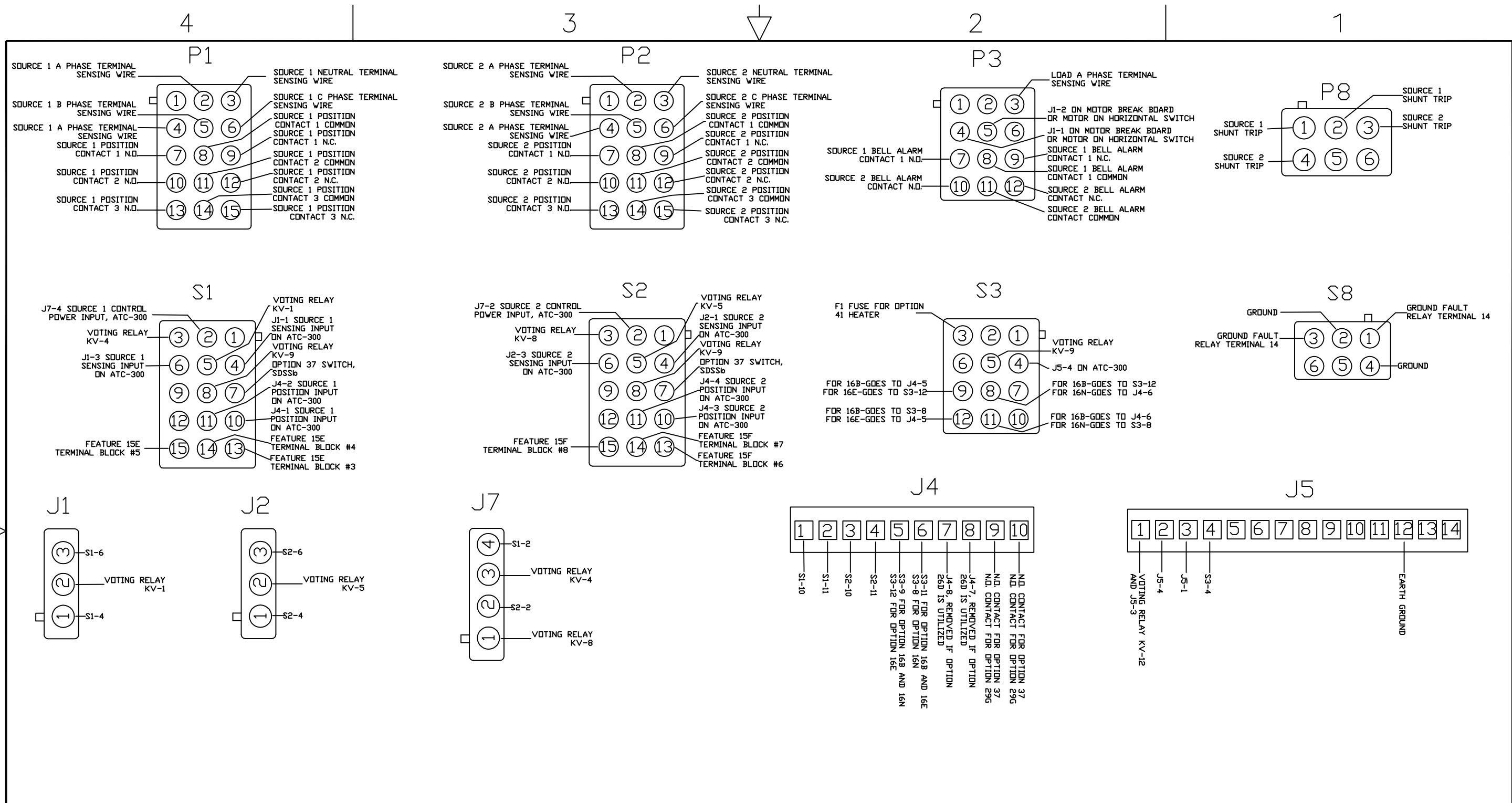
EATON		Cutler-Hammer	
THE INFORMATION ON THIS DRAWING IS THE PROPERTY OF EATON CORPORATION. IT IS DISCLOSED IN CONFIDENCE AND IS NOT TO BE REPRODUCED, USED, OR DISCLOSED EXCEPT FOR THE PURPOSE FOR WHICH FURNISHED.			
BEAVER PLANT, BEAVER, PA			
TITLE AUTOMATIC TRANSFER SWITCH 240/120V, 208/120V ATC-300 WALL MOUNT WIRING DIAGRAM			
SIZE B	DIRECTORY CMS	DWG NO 5724B76	
SCALE N/A	PARTS LIST 5724B76	PRODUCT CODE 6448	SHEET NO 1 OF 3



1	2	3	4
REVISION GS-1939	RN # GS-2105 KV13 AND KV9 CONNECTIONS NOT CORRECT LATHROP 3/29/04 LATHROP PRINCE	RN # GS-2159 SEE SHEET 1 HEG 06/02/2004 LATHROP PRINCE	RN # GS-2182 MOVE THE S2-8 AND THE S1-8 WIRES. KOZAR 06/28/2004 MARTIN PRINCE

UNLESS OTHERWISE SPECIFIED	DFTR KOZAR	DATE 10/07/2003
DIMENSIONS IN INCHES	APPD LATHROP	
ONE PLACE DEC ±0.1	APPD PRINCE	
TWO PLACE DEC ±0.02	ENGR REF	
THREE PLACE DEC ±0.005	NEXT ASSY	
ANGLES ±0.5	TOOL REF	
ONE PLACE MM ±0.5	DSPEC	
TWO PLACE MM ±0.13		
VOLTAGE ±5%		
RESISTANCE ±10%		
AMPERAGE ±2%		
FORCE, TORQUE, SPEED ±10%		
TIME ±1%		
TEMPERATURE ±3°C		
±5°F		
DIMENSIONS TO BE INTERPRETED IN ACCORDANCE WITH ASME Y14.5M-1994		

THE INFORMATION ON THIS DRAWING IS THE PROPERTY OF EATON CORPORATION. IT IS DISCLOSED IN CONFIDENCE AND IS NOT TO BE REPRODUCED, USED, OR DISCLOSED EXCEPT FOR THE PURPOSE FOR WHICH FURNISHED.	
TECHNOLOGY AND QUALITY CENTER PITTSBURGH, PA	
TITLE AUTOMATIC TRANSFER SWITCH 240/120V, 208/120V ATC-300 WALL MOUNT WIRING DIAGRAM	
SIZE B	DIRECTORY CMS
DWG NO 5724B76	PRODUCT CODE 6448
SCALE PARTS LIST 5724B76	SHEET NO 2 OF 3



1	2	3	4
REVISION GS-1939	RN # GS-2105 KV13 AND KV9 CONNECTIONS NOT CORRECT LATHROP 3/29/04 LATHROP PRINCE	RN # GS-2159 SEE SHEET 1 HEG 06/02/2004 LATHROP PRINCE	RN # GS-2182 SEE SHEET 2 KOZAR 06/28/2004 MARTIN PRINCE

UNLESS OTHERWISE SPECIFIED		DFTR KOZAR	DATE 10/07/2003
DIMENSIONS IN INCHES		APPD LATHROP	
ONE PLACE DEC	±0.1	APPD PRINCE	
TWO PLACE DEC	±0.02	ENGR REF	
THREE PLACE DEC	±0.005	NEXT ASSY	
ANGLES	±0.5	TOOL REF	
ONE PLACE MM	±0.5	DSPEC	
TWO PLACE MM	±0.13		
VOLTAGE	±5%		
RESISTANCE	±10%		
AMPERAGE	±2%		
FORCE, TORQUE, SPEED	±10%		
TIME	±1%		
TEMPERATURE	±3°C ±5°F		
DIMENSIONS TO BE INTERPRETED IN ACCORDANCE WITH ASME Y14.5M-1994			

EATON		Cutler-Hammer	
THE INFORMATION ON THIS DRAWING IS THE PROPERTY OF EATON CORPORATION. IT IS DISCLOSED IN CONFIDENCE AND IS NOT TO BE REPRODUCED, USED, OR DISCLOSED EXCEPT FOR THE PURPOSE FOR WHICH FURNISHED.			
TECHNOLOGY AND QUALITY CENTER PITTSBURGH, PA			
TITLE AUTOMATIC TRANSFER SWITCH 240/120V, 208/120V ATC-300 WALL MOUNT WIRING DIAGRAM			
SIZE B	DIRECTORY CMS	DWG NO 5724B76	
SCALE	PARTS LIST 5724B76	PRODUCT CODE 6448	SHEET NO 3 OF 3