

LEGEND & NOTES

- COMMON REFERENCE
- CURRENT TRANSFORMER LOCATED PER 18x OPTION
- FEMALE CONNECTION
- FIXED MOUNT SWITCHING DEVICE
- FUSE
- MALE CONNECTION
- MECHANICAL INTERLOCK
- MULTITAP TRANSFORMER
- N.C. PUSHBUTTON
- N.C. SELECTOR SWITCH
- N.C. CONTACT
- N.O. CONTACT
- N.O. PUSHBUTTON
- N.O. SELECTOR SWITCH
- RELAY OR TIMER, 120VAC
- TERMINAL BLOCK

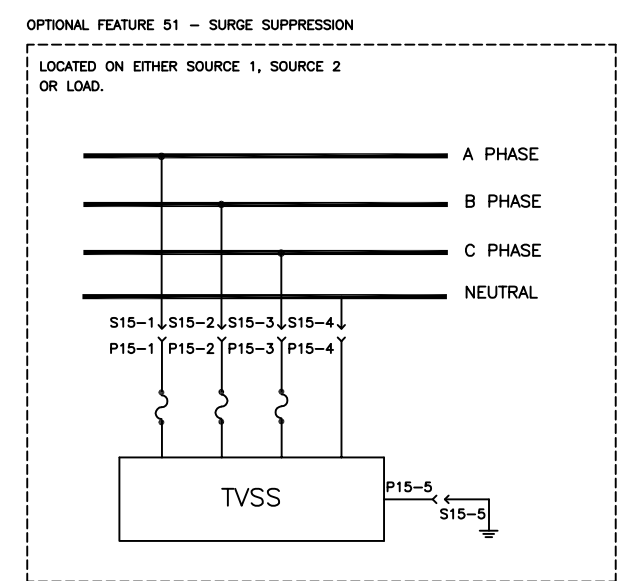
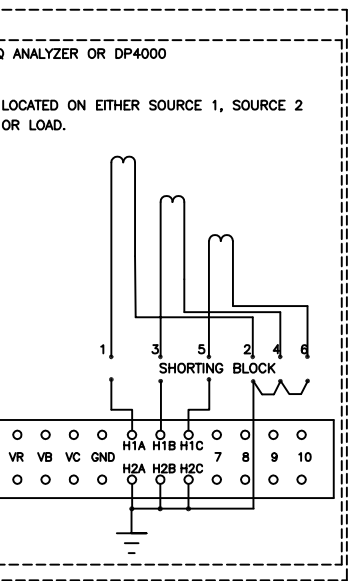
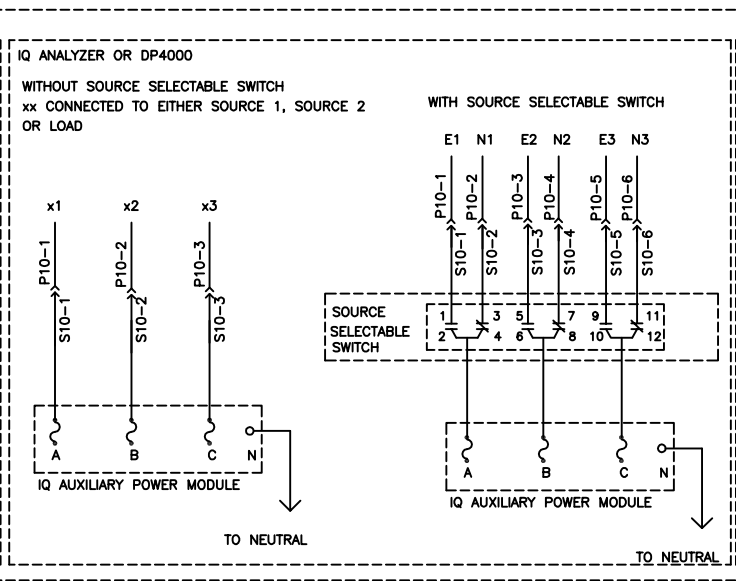
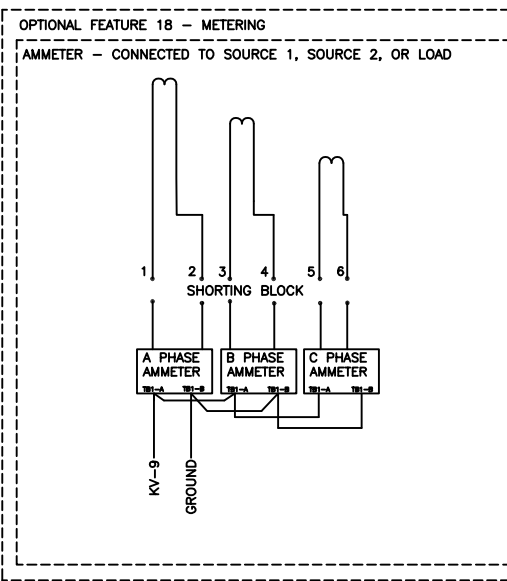
- ERA - SOURCE 2 AUXILIARY RELAY
- ESx - SOURCE 2 AUXILIARY SWITCH
- ETx - SOURCE 2 TRANSFORMER
- Ex - SOURCE 2 CUSTOMER CONNECTION
- FSx - FUSE HOLDER
- KV - VOTING RELAY
- NRA - SOURCE 1 AUXILIARY RELAY
- NSx - SOURCE 1 AUXILIARY SWITCH
- NTx - SOURCE 1 TRANSFORMER
- Nx - SOURCE 1 CUSTOMER CONNECTION
- Px - FEMALE CONNECTOR
- SDSS - SERVICE DISCONNECT SELECTOR SWITCH
- SDSSx - SDSS CONTACT
- Sx - MALE CONNECTOR
- Tx - LOAD CUSTOMER CONNECTION

NOTE A: TERMINALS ARE TO BE CONNECTED TO REMOTE START CONTACT FROM GENERATOR.

NOTE B: IF THIS OPTION IS INSTALLED, THE TRANSFER SWITCH WILL BE LABELED NON-AUTOMATIC TRANSFER SWITCH.

NOTE C: NEUTRAL SWITCHED ON 4 POLE DEVICE

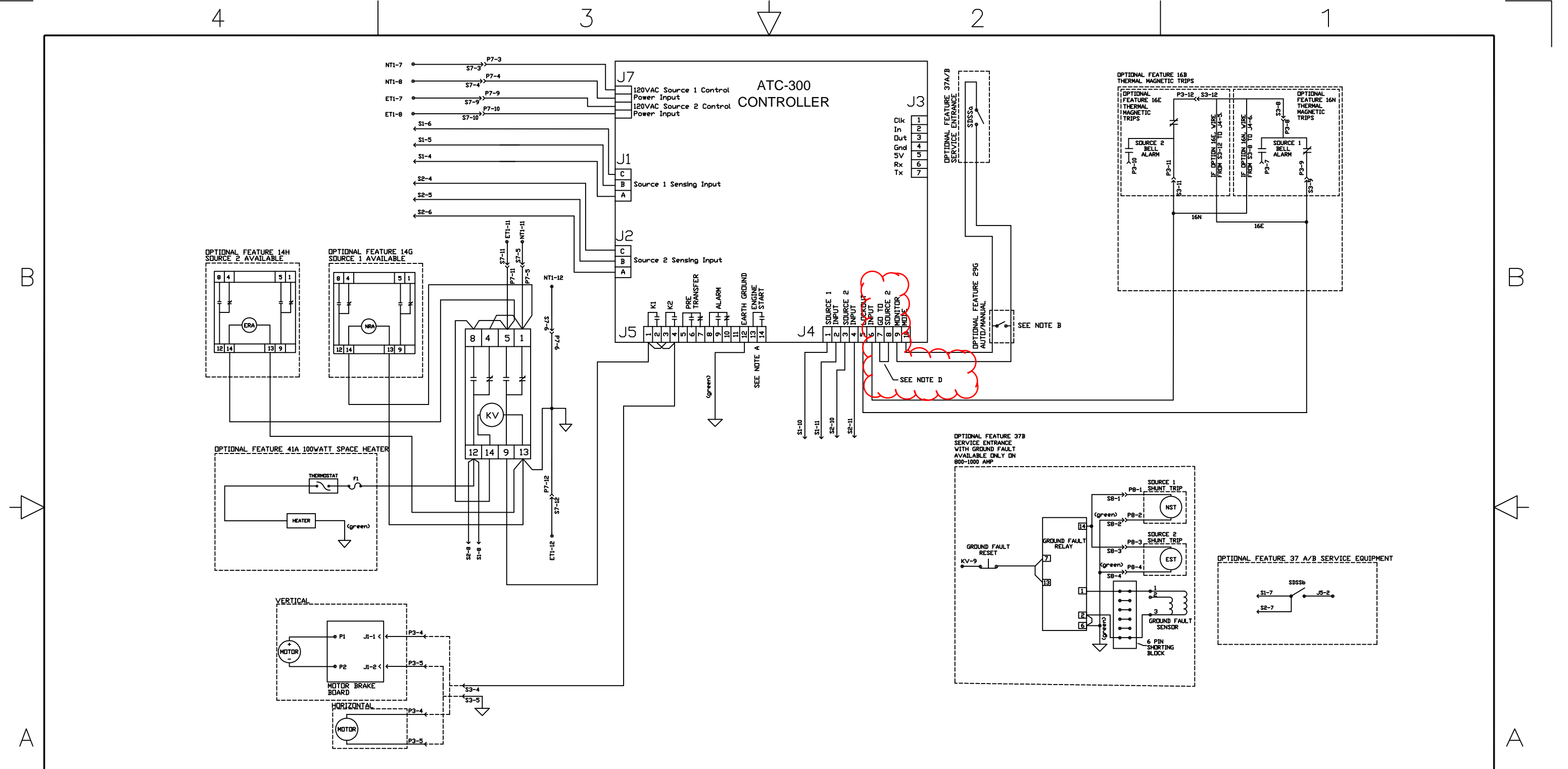
NOTE D: REMOVE TO TRANSFER TO SOURCE 2



1	2	3
REVISION GS-1939	RN # GS-2107 SEE SHEET 2 AND 3 FOR DETAILS LATHROP 04/05/04 LATHROP PRINCE	RN # GS-2159 REVISE PER MARKUP HEG 06/02/2004 LATHROP PRINCE

UNLESS OTHERWISE SPECIFIED	DFTR KOZAR	DATE 09/12/2003
DIMENSIONS IN INCHES	APPD LATHROP	
ONE PLACE DEC ±0.1	APPD PRINCE	
TWO PLACE DEC ±0.02	ENGR REF	
THREE PLACE DEC ±0.005	NEXT ASSY	
ANGLES ±0.5	TOOL REF	
ONE PLACE MM ±0.5	DSPEC	
TWO PLACE MM ±0.13		
VOLTAGE ±5%		
RESISTANCE ±10%		
AMPLERAGE ±2%		
FORCE, TORQUE, SPEED ±10%		
TIME ±1%		
TEMPERATURE ±3°C		
±5°F		
DIMENSIONS TO BE INTERPRETED IN ACCORDANCE WITH ASME Y14.5M-1994		

EATON		Cutler-Hammer	
THE INFORMATION ON THIS DRAWING IS THE PROPERTY OF EATON CORPORATION. IT IS DISCLOSED IN CONFIDENCE AND IS NOT TO BE REPRODUCED, USED, OR DISCLOSED EXCEPT FOR THE PURPOSE FOR WHICH FURNISHED.			
BEAVER PLANT, BEAVER, PA			
TITLE AUTOMATIC TRANSFER SWITCH ATC-300 CONTROLLED WALL MOUNT DOMESTIC VOLTAGE WIRING DIAGRAM			
SIZE B	DIRECTORY CMS	DWG NO 68B2574	
SCALE	PARTS LIST	PRODUCT CODE 6448	SHEET NO 1 OF 3



1	2	3
REVISION GS-1939	RN # GS-2107 J1, J2, AND J7 WERE NUMBERED LATHROP 04/05/04 LATHROP PRINCE	RN # GS-2159 SEE SHEET 1 HEG 06/02/2004 LATHROP PRINCE

4	3	2

UNLESS OTHERWISE SPECIFIED	DFTR KOZAR	DATE 09/12/2003
DIMENSIONS IN INCHES	APPD LATHROP	
ONE PLACE DEC ±0.1	APPD PRINCE	
TWO PLACE DEC ±0.02	ENGR REF	
THREE PLACE DEC ±0.005	NEXT ASSY	
ANGLES ±0.5	TOOL REF	
ONE PLACE MM ±0.5	DSPEC	
TWO PLACE MM ±0.13		
VOLTAGE ±5%		
RESISTANCE ±10%		
AMPERAGE ±2%		
FORCE, TORQUE, SPEED ±10%		
TIME ±1%		
TEMPERATURE ±3°C		
±5°F		
DIMENSIONS TO BE INTERPRETED IN ACCORDANCE WITH ASME Y14.5M-1994		

EATON		Cutler-Hammer	
THE INFORMATION ON THIS DRAWING IS THE PROPERTY OF EATON CORPORATION. IT IS DISCLOSED IN CONFIDENCE AND IS NOT TO BE REPRODUCED, USED, OR DISCLOSED EXCEPT FOR THE PURPOSE FOR WHICH FURNISHED.			
BEAVER PLANT, BEAVER, PA			
TITLE AUTOMATIC TRANSFER SWITCH ATC-300 CONTROLLED WALL MOUNT DOMESTIC VOLTAGE WIRING DIAGRAM			
SIZE B	DIRECTORY CMS	DWG NO 68B2574	
SCALE	PARTS LIST	PRODUCT CODE 6448	SHEET NO 2 OF 3