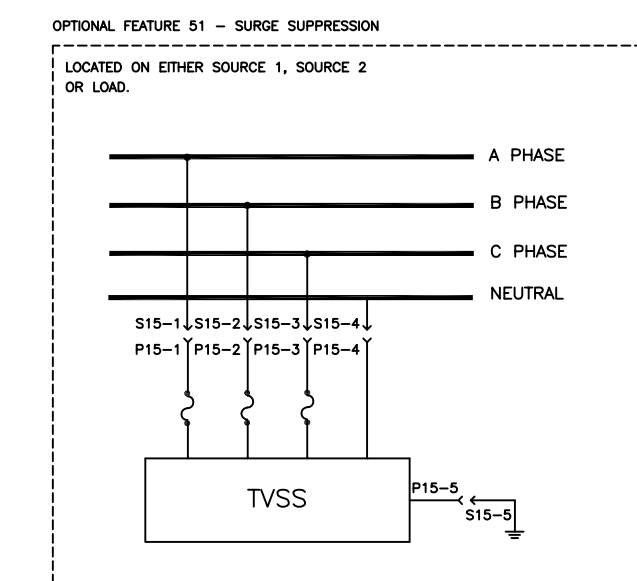
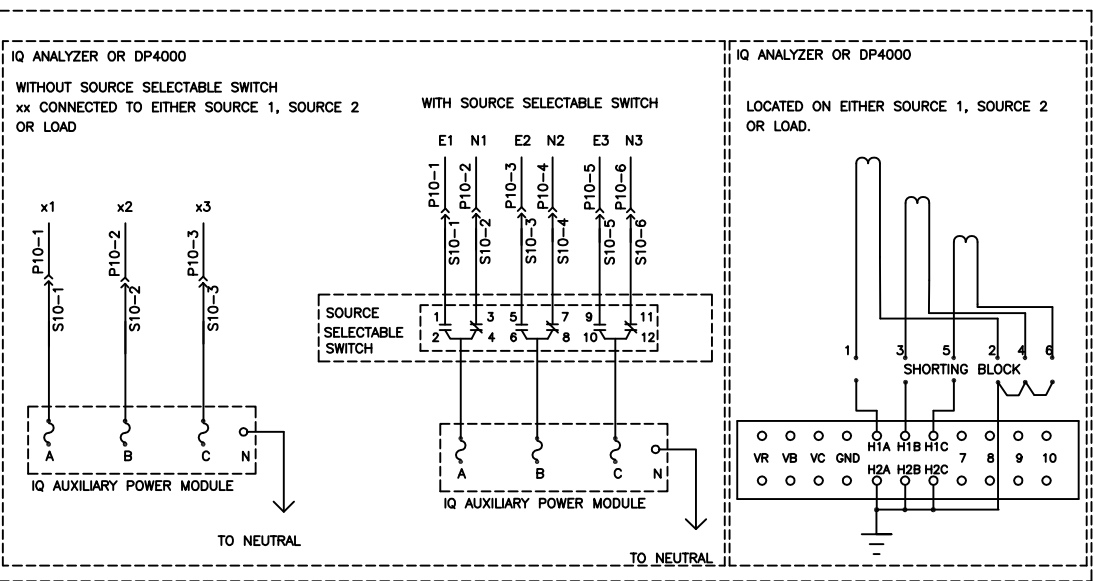
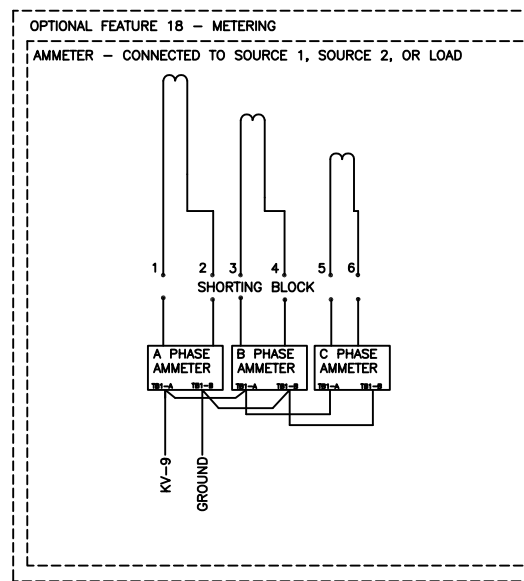


LEGEND & NOTES

- COMMON REFERENCE
- CURRENT TRANSFORMER LOCATED PER 18x OPTION
- FEMALE CONNECTION
- FIXED MOUNT SWITCHING DEVICE
- FUSE
- MALE CONNECTION
- MECHANICAL INTERLOCK
- MULTITAP TRANSFORMER
- N.C. PUSHBUTTON
- N.C. SELECTOR SWITCH
- N.C. CONTACT
- N.O. CONTACT
- N.O. PUSHBUTTON
- N.O. SELECTOR SWITCH
- RELAY OR TIMER, 120VAC
- TERMINAL BLOCK

- ERA - SOURCE 2 AUXILIARY RELAY
 - ESx - SOURCE 2 AUXILIARY SWITCH
 - ETx - SOURCE 2 TRANSFORMER
 - Ex - SOURCE 2 CUSTOMER CONNECTION
 - FSx - FUSE HOLDER
 - KV - VOTING RELAY
 - NRA - SOURCE 1 AUXILIARY RELAY
 - NSx - SOURCE 1 AUXILIARY SWITCH
 - NTx - SOURCE 1 TRANSFORMER
 - Nx - SOURCE 1 CUSTOMER CONNECTION
 - Px - FEMALE CONNECTOR
 - SDSS - SERVICE DISCONNECT SWITCH
 - SDSSx - SDSS CONTACT
 - Sx - MALE CONNECTOR
 - Tx - LOAD CUSTOMER CONNECTION
- NOTE A: TERMINALS ARE TO BE CONNECTED TO REMOTE START CONTACT FROM GENERATOR.
- NOTE B: IF THIS OPTION IS INSTALLED, THE TRANSFER SWITCH WILL BE LABELED NON-AUTOMATIC TRANSFER SWITCH.
- NOTE C: NEUTRAL SWITCHED ON 4 POLE DEVICE
- NOTE D: REMOVE TO TRANSFER TO SOURCE 2



Pin Assignments

1	1
2	1
3	1
4	1
5	1
6	1

P7/S7 Voltage Selector plug detail

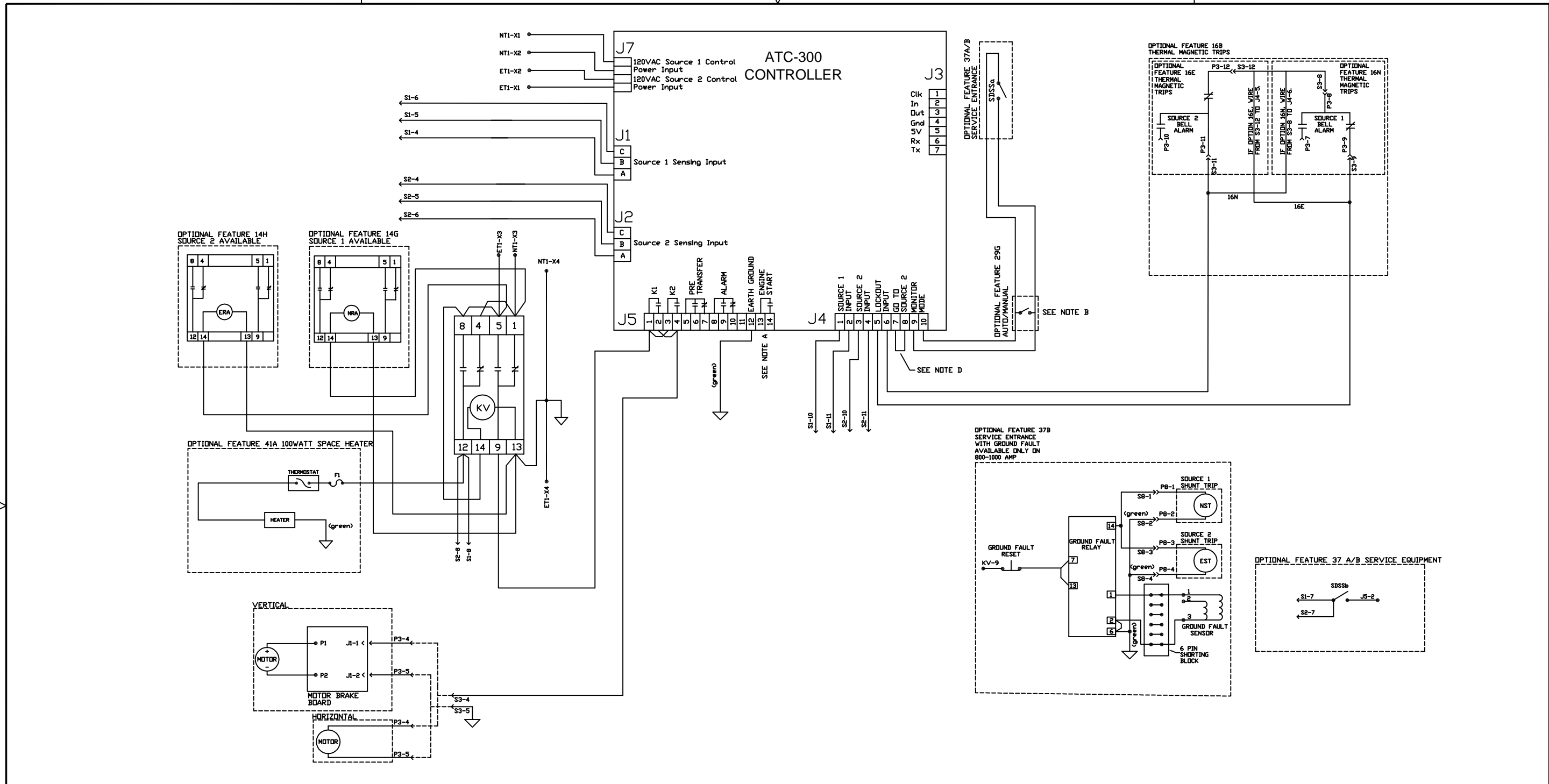
208	220	240	380	415	480	600
black	brown	blue	green	blk/whtgrn/wht	red	

1	2	3
REVISION GS-1939	RN # GS-2107 SEE SHEET 2 AND 3 FOR DETAILS LATHROP 04/05/04 LATHROP PRINCE	RN # GS-2159 REVISE PER MARKUP HEG 06/02/2004 LATHROP PRINCE

UNLESS OTHERWISE SPECIFIED	
DIMENSIONS IN INCHES	
ONE PLACE DEC	±0.1
TWO PLACE DEC	±0.02
THREE PLACE DEC	±0.005
ANGLES	±0.5
ONE PLACE MM	±0.5
TWO PLACE MM	±0.13
VOLTAGE	±5%
RESISTANCE	±10%
AMPERAGE	±2%
FORCE, TORQUE, SPEED	±10%
TIME	±1%
TEMPERATURE	±3°C ±5°F
DIMENSIONS TO BE INTERPRETED IN ACCORDANCE WITH ASME Y14.5M-1994	

DFTR	DATE
KOZAR	09/12/2003
APPD	BERAD
APPD	PRINCE
ENGR REF	
NEXT ASSY	
TOOL REF	
DSPEC	

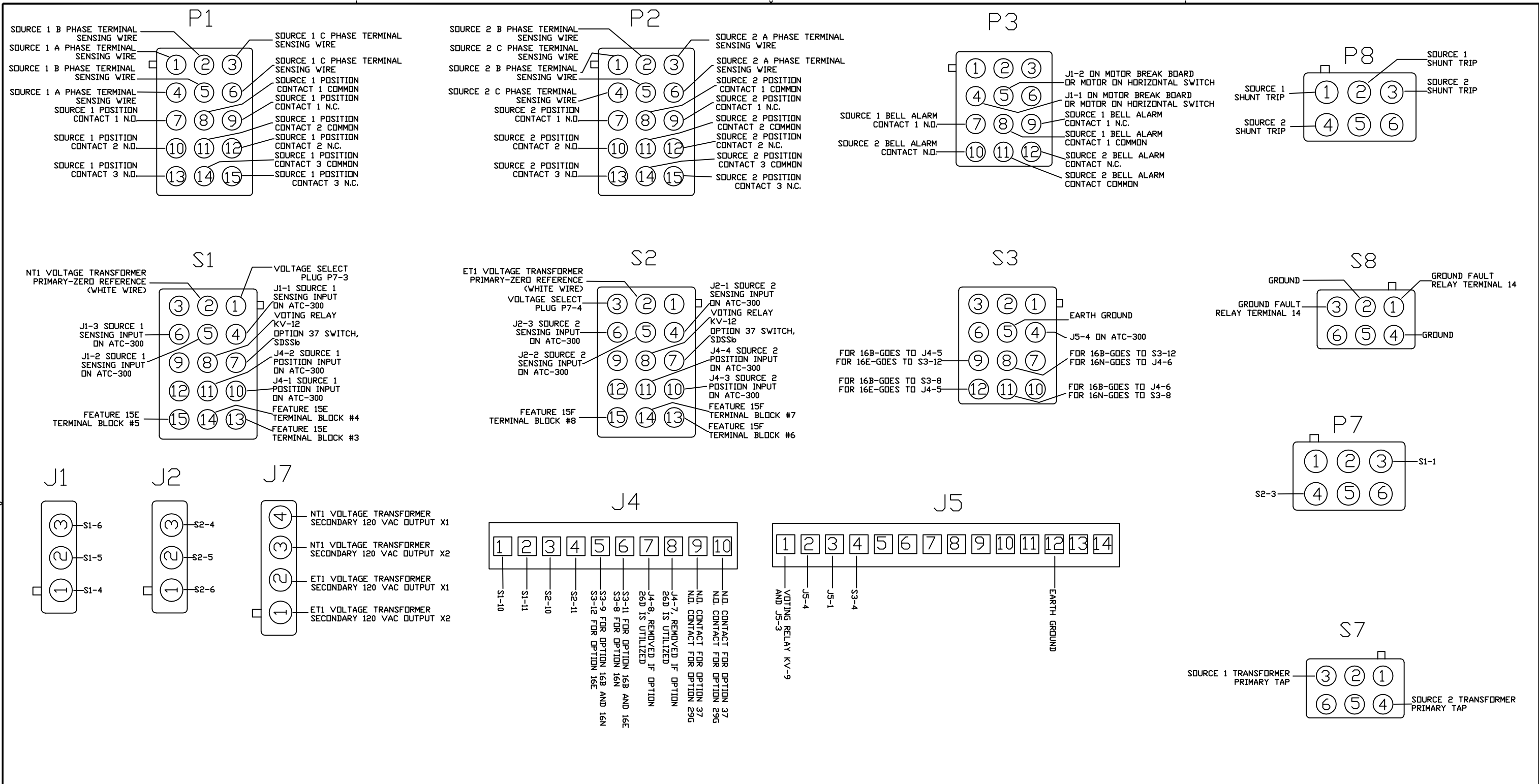
EATON		Cutler-Hammer	
THE INFORMATION ON THIS DRAWING IS THE PROPERTY OF EATON CORPORATION. IT IS DISCLOSED IN CONFIDENCE AND IS NOT TO BE REPRODUCED, USED, OR DISCLOSED EXCEPT FOR THE PURPOSE FOR WHICH FURNISHED.			
BEAVER PLANT, BEAVER, PA			
TITLE AUTOMATIC TRANSFER SWITCH ATC-300 CONTROLLED WALL MOUNT INTERNATIONAL VOLTAGE WIRING DIAGRAM			
SIZE	DIRECTORY	DWG NO	
B	CMS	68B2568	
SCALE	PARTS LIST	PRODUCT CODE	SHEET NO
		6448	1 OF 3



1	2	3
REVISION GS-1939	RN # GS-2107 J1, J2, AND J7 WERE NUMBERED LATHROP 04/05/04 LATHROP PRINCE	RN # GS-2159 SEE SHEET 1 HEG 06/02/2004 LATHROP PRINCE

UNLESS OTHERWISE SPECIFIED	DFTR KOZAR	DATE 09/12/2003
DIMENSIONS IN INCHES	APPD BERAD	
ONE PLACE DEC ±0.1	APPD PRINCE	
TWO PLACE DEC ±0.02	ENGR REF	
THREE PLACE DEC ±0.005	NEXT ASSY	
ANGLES ±0.5	TOOL REF	
ONE PLACE MM ±0.5	DSPEC	
TWO PLACE MM ±0.13		
VOLTAGE ±5%		
RESISTANCE ±10%		
AMPERAGE ±2%		
FORCE, TORQUE, SPEED ±10%		
TIME ±1%		
TEMPERATURE ±3°C		
±5°F		
DIMENSIONS TO BE INTERPRETED IN ACCORDANCE WITH ASME Y14.5M-1994		

EATON		Cutler-Hammer	
THE INFORMATION ON THIS DRAWING IS THE PROPERTY OF EATON CORPORATION. IT IS DISCLOSED IN CONFIDENCE AND IS NOT TO BE REPRODUCED, USED, OR DISCLOSED EXCEPT FOR THE PURPOSE FOR WHICH FURNISHED.			
BEAVER PLANT, BEAVER, PA			
TITLE AUTOMATIC TRANSFER SWITCH ATC-300 CONTROLLED WALL MOUNT INTERNATIONAL VOLTAGE WIRING DIAGRAM			
SIZE B	DIRECTORY CMS	DWG NO 68B2568	
SCALE	PARTS LIST	PRODUCT CODE 6448	SHEET NO 2 OF 3



1	2	3	UNLESS OTHERWISE SPECIFIED DIMENSIONS IN INCHES ONE PLACE DEC ±0.1 TWO PLACE DEC ±0.02 THREE PLACE DEC ±0.005 ANGLES ±0.5 ONE PLACE MM ±0.5 TWO PLACE MM ±0.13 VOLTAGE ±5% RESISTANCE ±10% AMPERAGE ±2% FORCE, TORQUE, SPEED ±10% TIME ±1% TEMPERATURE ±3°C ±5°F	DFTR KOZAR	DATE 10/07/2003		THE INFORMATION ON THIS DRAWING IS THE PROPERTY OF EATON CORPORATION. IT IS DISCLOSED IN CONFIDENCE AND IS NOT TO BE REPRODUCED, USED, OR DISCLOSED EXCEPT FOR THE PURPOSE FOR WHICH FURNISHED.
REVISION CS-1939	RN # GS-2107 J2-3 WAS S2-6 J2-1 WAS S2-4 LATHROP 04/05/04 LATHROP PRINCE	RN # GS-2159 SEE SHEET 1 HEG 06/02/2004 LATHROP PRINCE		DIMENSIONS TO BE INTERPRETED IN ACCORDANCE WITH ASME Y14.5M-1994	APPD LATHROP		
				ENGR REF	NEXT ASSY	SIZE B DIRECTORY CMS DWG NO 68B2568	
				TOOL REF	DSPEC	SCALE PARTS LIST 5724B76 PRODUCT CODE 6448 SHEET NO 3 OF 3	