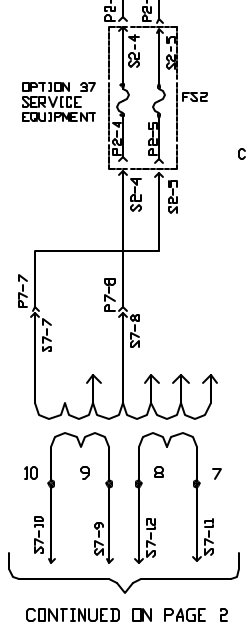
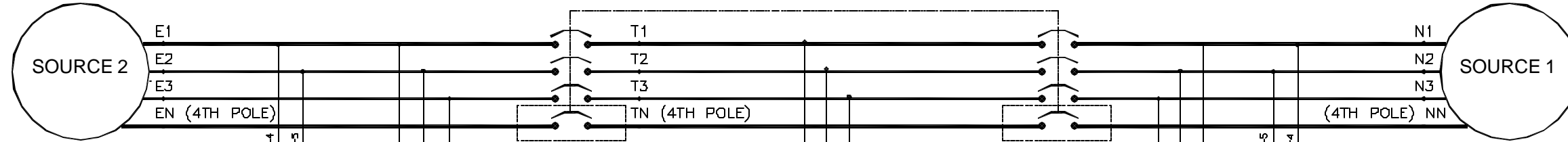
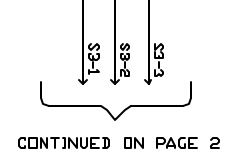


5724B75

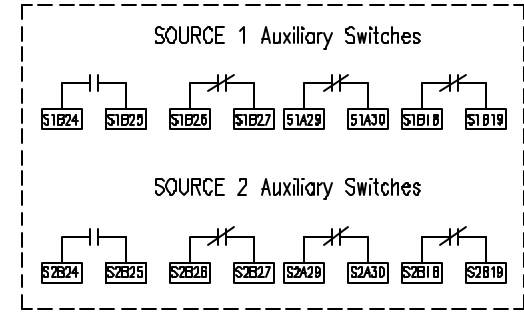


ET1
120/208/240
480/600 PRI
9/10 180V SEC, 25VA
7/8 120V SEC, 300VA



NT1
120/208/240
480/600 PRI
9/10 120V SEC, 25VA
7/8 120V SEC, 300VA

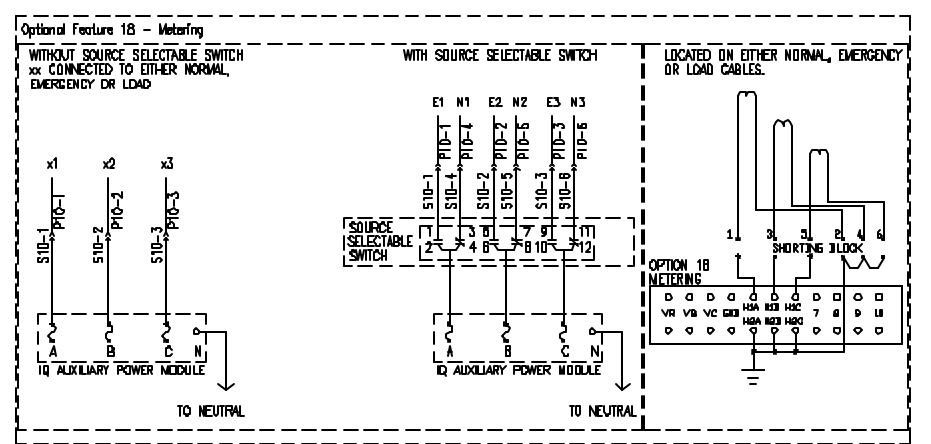
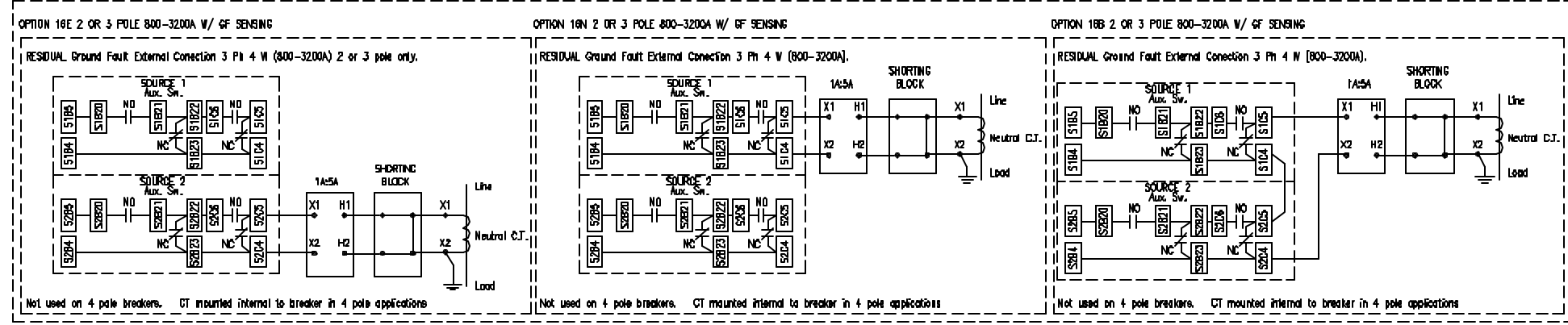
CUSTOMER CONNECTIONS
POSITION INDICATION CONTACTS



LEGEND & NOTES

- CLOSED COIL
- COMMON REFERENCE
- CURRENT TRANSFORMER LOCATED PER IBC OPTION
- EMERGENCY STOP TERMINAL BLOCK
- FEMALE CONNECTION
- FIXED MOUNT SWITCHING DEVICE
- FUSE
- INDICATOR LIGHT
- MALE CONNECTION
- MECHANICAL INTERLOCK
- MULTITAP TRANSFORMER
- NEUTRAL G.F. SENSOR
- N.C. SELECTOR SWITCH
- N.C. CONTACT
- N.O. CONTACT
- N.O. PUSHBUTTON
- N.O. SELECTOR SWITCH
- NORMAL ATS TERMINAL BLOCK
- OPEN COIL
- RELAY OR TIMER, 120VAC
- TERMINAL BLOCK

OPTION 37B

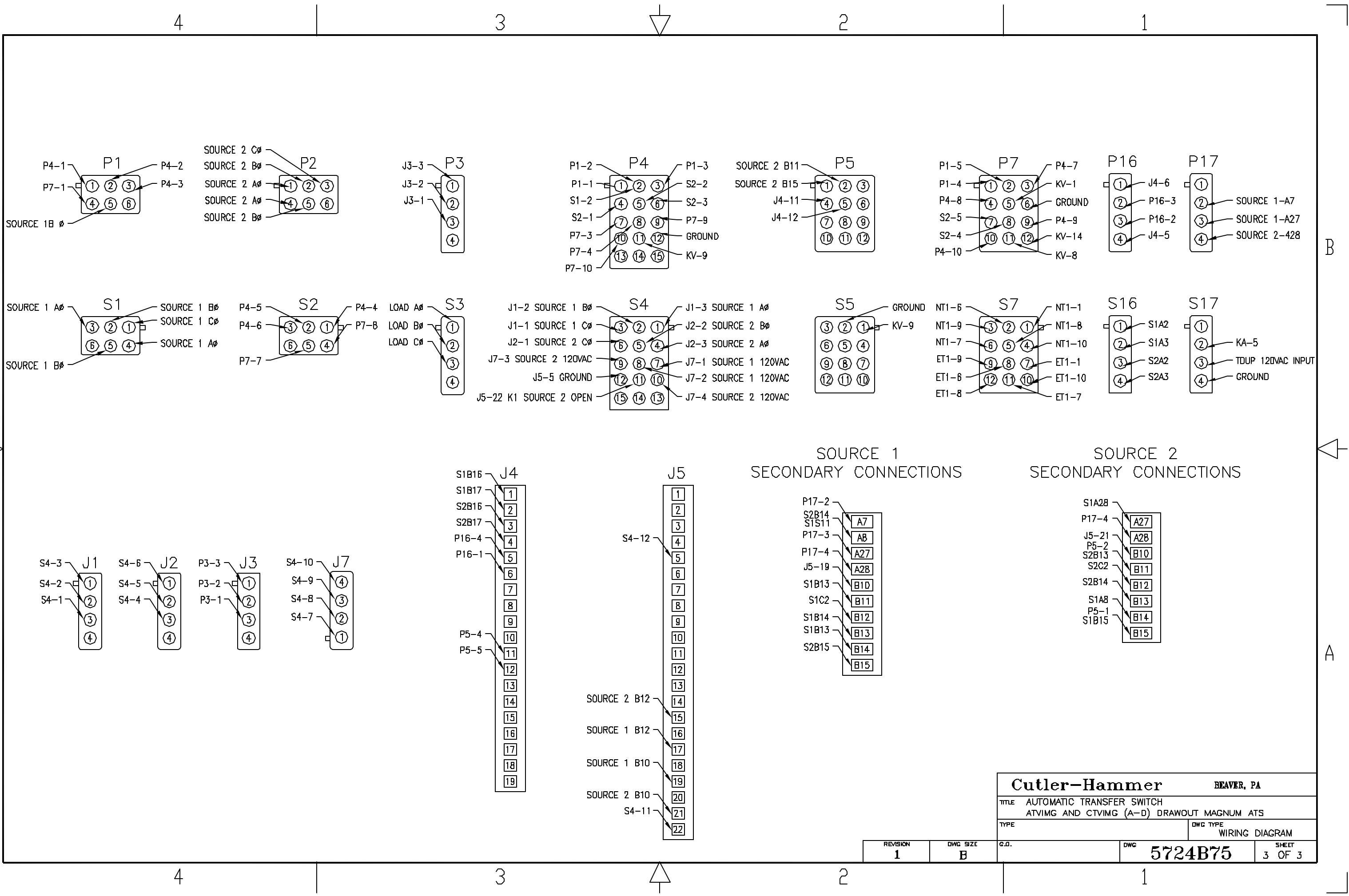


GS-2212
1
REVISION

THE INFORMATION ON THIS DOCUMENT IS CREATED BY CUTLER-HAMMER. IT IS DISCLOSED IN CONFIDENCE AND IS ONLY TO BE USED FOR THE PURPOSE IN WHICH IT IS SUPPLIED.

DFTR	DATE
INFANTOZZI	08/27/2004
APPD	DATE
LATHROP	08/27/2004
APPD	DATE
PRINCE	08/27/2004
REVISION	DWG SIZE
1	B

Cutler-Hammer	
TITLE AUTOMATIC TRANSFER SWITCH	
ATVMG AND CTVMG (E-H) DRAWOUT MAGNUM ATS	
TYPE	DWG TYPE
	WIRE DIAGRAM
G.D.	DWG
	5724B75
	SHEET
	1 OF 3



Cutler-Hammer		BEAVER, PA	
TITLE AUTOMATIC TRANSFER SWITCH			
ATVING AND CTVING (A-D) DRAWOUT MAGNUM ATS			
TYPE		DWC TYPE	
		WIRING DIAGRAM	
REVISION	DWG SIZE	G.D.	DWC
1	B		5724B75
			SHEET 3 OF 3