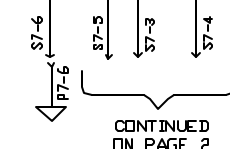
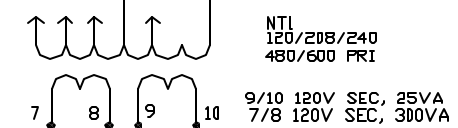
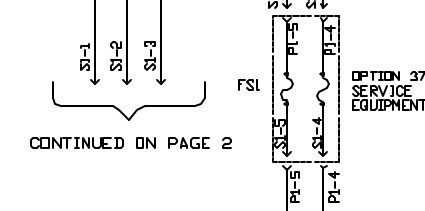
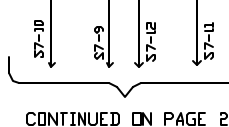
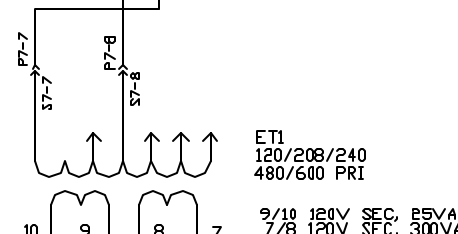
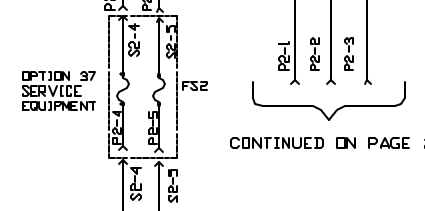
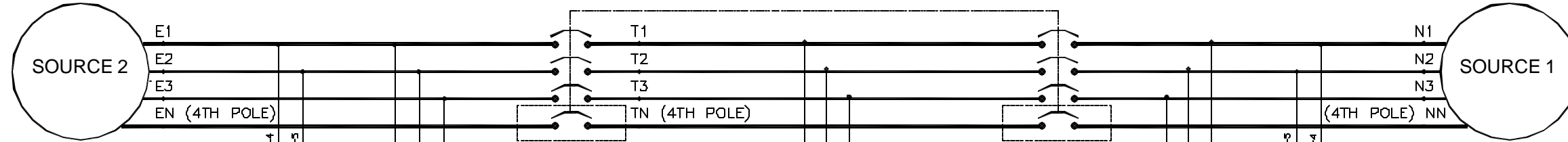
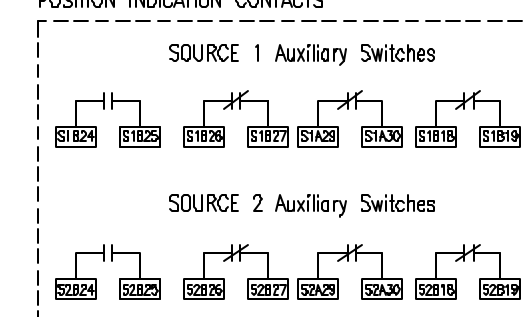


5724B74

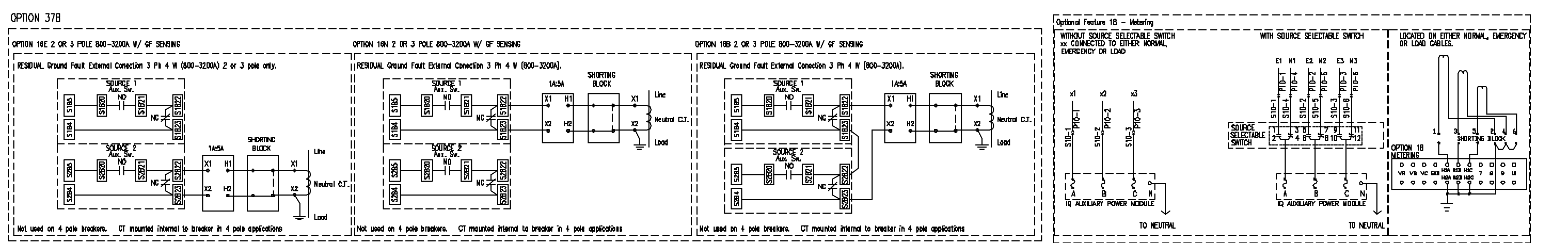


CUSTOMER CONNECTIONS  
POSITION INDICATION CONTACTS



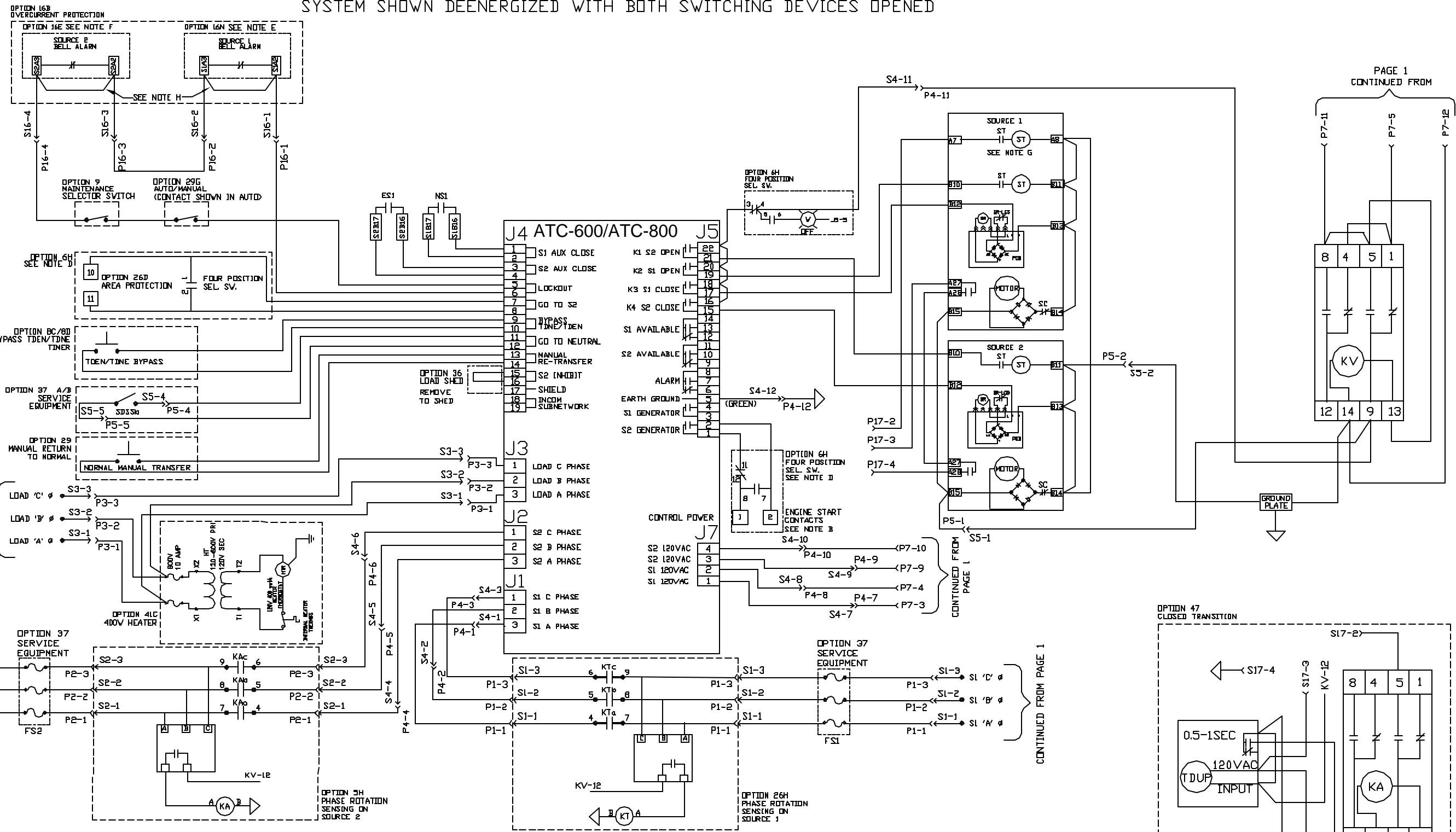
**LEGEND & NOTES**

- CLOSED COIL
- COMMON REFERENCE
- CURRENT TRANSFORMER LOCATED PER IEC OPTION
- EMERGENCY AFS TERMINAL BLOCK
- FEMALE CONNECTION
- FIXED MOUNT SWITCHING DEVICE
- FUSE
- INDICATOR LIGHT
- MALE CONNECTION
- MECHANICAL INTERLOCK
- MULTITAP TRANSFORMER
- NEUTRAL G.F. SENSOR
- N.C. SELECTOR SWITCH
- N.C. CONTACT
- N.O. CONTACT
- N.O. PUSHBUTTON
- N.O. SELECTOR SWITCH
- NORMAL AFS TERMINAL BLOCK
- OPEN COIL
- RELAY OR TIMER, 120VAC
- TERMINAL BLOCK



|                          |   |              |   |  |  |                 |
|--------------------------|---|--------------|---|--|--|-----------------|
| GS-2212<br>REVISION<br>1 | THE INFORMATION ON THIS DOCUMENT IS CREATED BY CUTLER-HAMMER. IT IS DISCLOSED IN CONFIDENCE AND IS ONLY TO BE USED FOR THE PURPOSE IN WHICH IT IS SUPPLIED. |              | DFTI<br>INFANTOZZI<br>APPD<br>LATHROP<br>APPD<br>PRINCE | DATE<br>08/27/2004<br>DATE<br>08/24/2004<br>DATE<br>08/24/2004 | <b>Cutler-Hammer</b><br>TITLE<br>AUTOMATIC TRANSFER SWITCH<br>ATVMG AND CTVMG (A-D) FIXED MAGNUM ATS |                 |
|                          | FEDERAL ID NO   | PRODUCT CODE | REVISION<br>1   | DWC SIZE<br>B  | DWC TYPE<br>WIRE DIAGRAM   | SHEET<br>1 OF 3 |
|                          |   |              | DWC<br>5724B74  |  |  |                 |

SYSTEM SHOWN DEENERGIZED WITH BOTH SWITCHING DEVICES OPENED



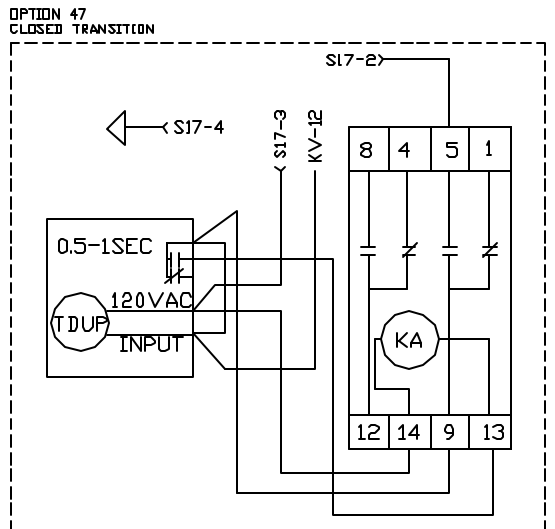
CONTINUED FROM PAGE 1

CONTINUED FROM PAGE 1

CONTINUED FROM PAGE 1

CONTINUED FROM PAGE 1

PAGE 1 CONTINUED FROM



- EPRR - EMERGENCY PHASE ROTATION RELAY
- ESx - EMERGENCY AUXILIARY SWITCH
- ETx - EMERGENCY TRANSFORMER
- Ex - EMERGENCY CUSTOMER CONNECTION
- NPRR - NORMAL PHASE ROTATION RELAY
- NSx - NORMAL AUXILIARY SWITCH
- NTx - NORMAL TRANSFORMER
- Nx - NORMAL CUSTOMER CONNECTION
- KV - VOTING RELAY
- Px - FEMALE CONNECTOR
- Sx - MALE CONNECTOR
- SDSS - SERVICE DISCONNECT SELECTOR SWITCH
- SDSSx - SDSS CONTACT
- Tx - LOAD CUSTOMER CONNECTION
- FSx - FUSE HOLDER
- SR - SPRING RELEASE
- ST - SHUNT TRIP

LEGEND & NOTES

- NOTE A: PHASE CONNECTIONS TO IO ARE ON LOAD SIDE OF FSx IF SERVICE EQUIPMENT OTHERWISE, CONNECTED TO MAIN TERMINALS
- NOTE B: TERMINALS ARE TO BE CONNECTED TO REMOTE START CONTACT FROM GENERATOR. CONNECT TO J5-1 AND J5-2 ON CONTROLLER
- NOTE C: NEUTRAL SWITCHED ON 4 POLE DEVICE
- NOTE D: TERMINALS 1, 2, 11 AND 12 SUPPLIED WITH OPTION 6H ONLY
- NOTE E: OPTION 16N- JUMPER FROM P16-2 TO P16-3 IS REMOVED. WIRE FROM P16-4 MOVED TO P16-2
- NOTE F: OPTION 16E- JUMPER FROM P16-2 TO P16-3 IS REMOVED. WIRE FROM P16-1 MOVED TO P16-3
- NOTE G: SUPPLIED WITH CLOSED TRANSITION ONLY
- NOTE H: JUMPERS ADDED WHEN OPTION 16 NOT INSTALLED AND OPTION 9 AND/OR 29G ARE INSTALLED

OPTION 6H FOUR POSITION SEL. SW.

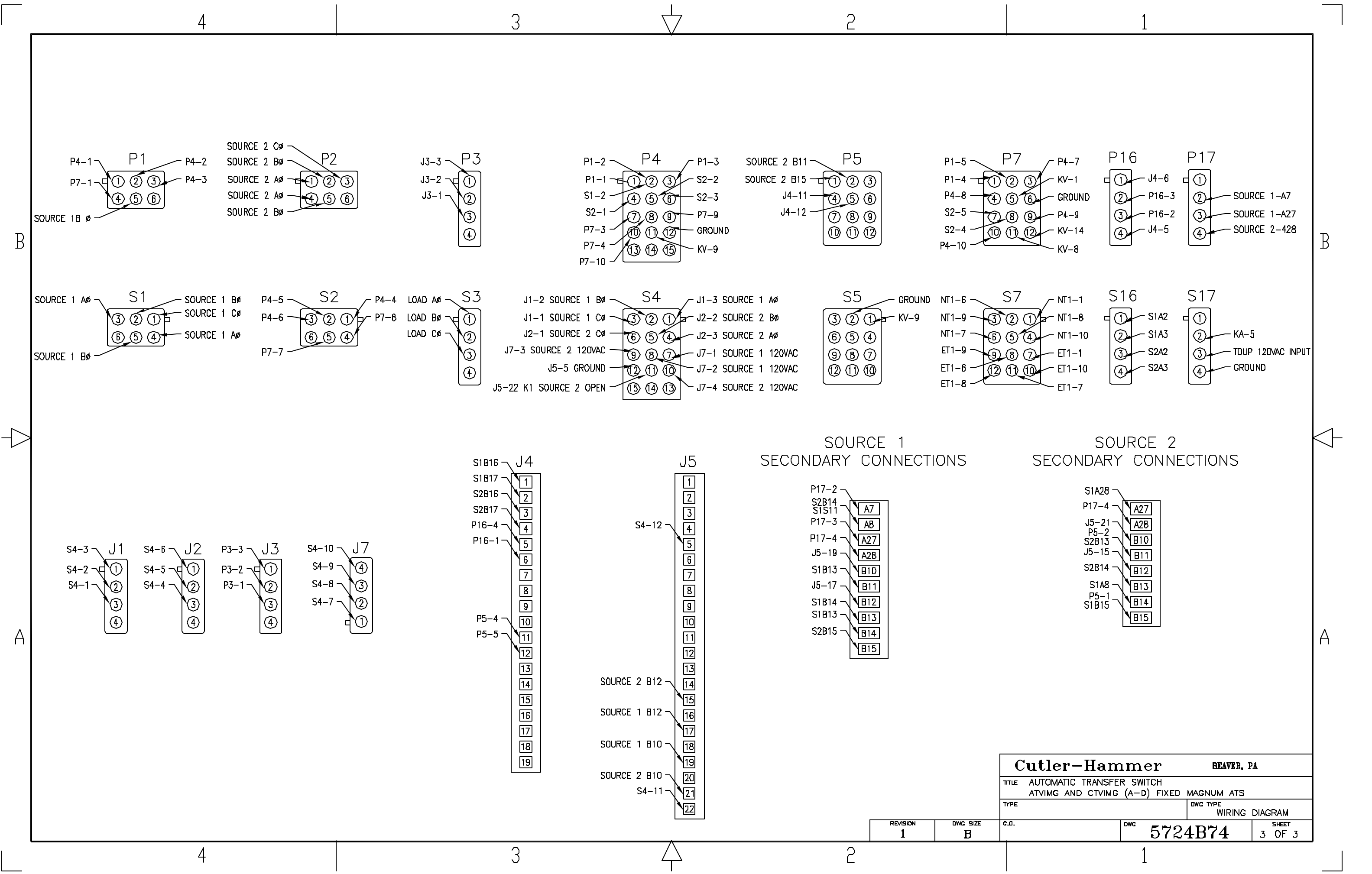
|         |   |   |   |   |    |    |
|---------|---|---|---|---|----|----|
|         | 2 | 4 | 6 | 8 | 10 | 12 |
| TEST    | X |   |   |   | X  | X  |
| AUTO    |   | X |   |   |    | X  |
| OFF     |   |   | X |   | X  |    |
| ENG RUN | X |   | X | X | X  | X  |

**Cutler-Hammer** BEAVER, PA

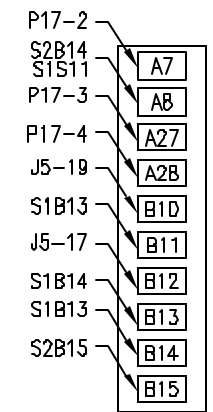
TITLE AUTOMATIC TRANSFER SWITCH  
ATVIMG AND CTVIMG (A-D) FIXED MAGNUM ATS

TYPE \_\_\_\_\_ DWG TYPE WIRING DIAGRAM

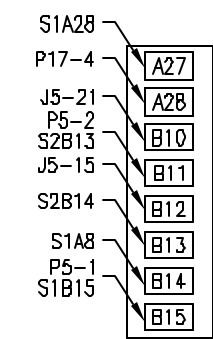
REVISION 1 DWG SIZE B G.D. \_\_\_\_\_ DWG 5724B74 SHEET 2 OF 3



SOURCE 1  
SECONDARY CONNECTIONS



SOURCE 2  
SECONDARY CONNECTIONS



|   |                      |                            |                       |
|---|----------------------|----------------------------|-----------------------|
| <b>Cutler-Hammer</b>  |                      | BEAVER, PA                 |                       |
| TITLE AUTOMATIC TRANSFER SWITCH<br>ATVING AND CTVING (A-D) FIXED MAGNUM ATS |                      |                            |                       |
| TYPE  |                      | DWG TYPE<br>WIRING DIAGRAM |                       |
| REVISION<br><b>1</b>  | DWG SIZE<br><b>B</b> | G.O.                       | DWG<br><b>5724B74</b> |
|   |                      |                            | SHEET<br>3 OF 3       |