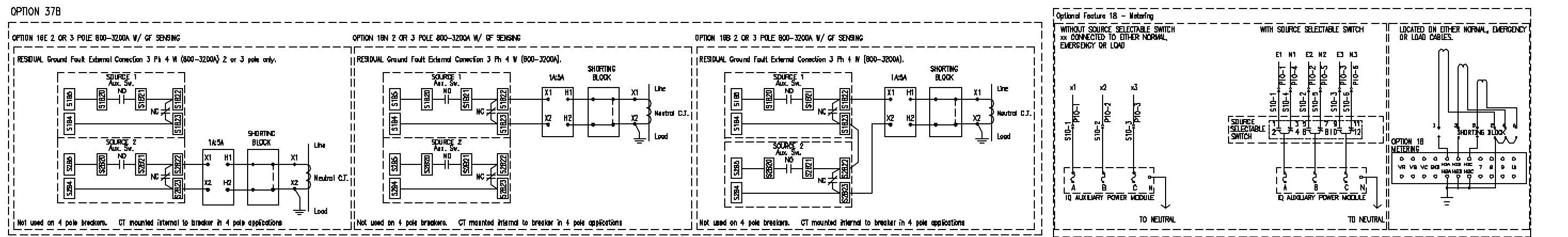
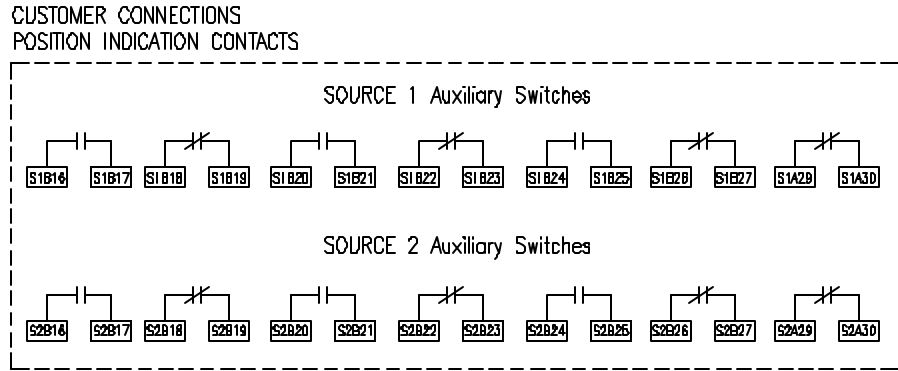
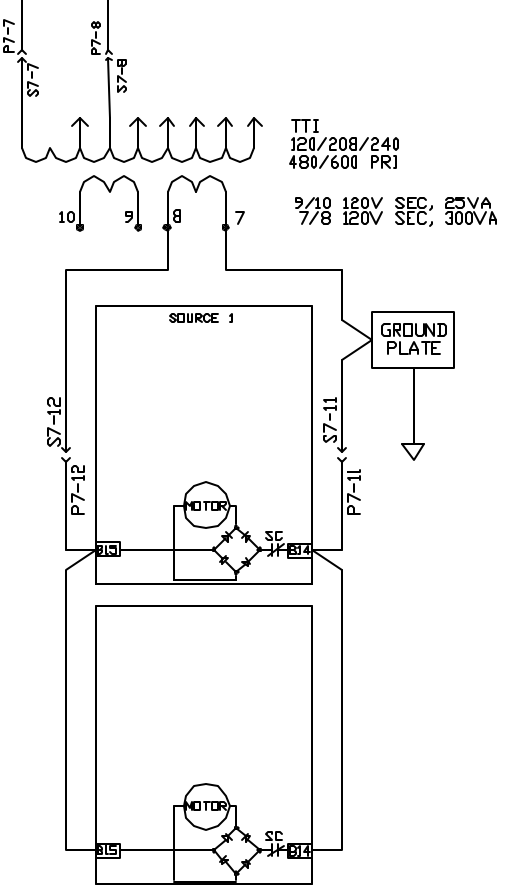
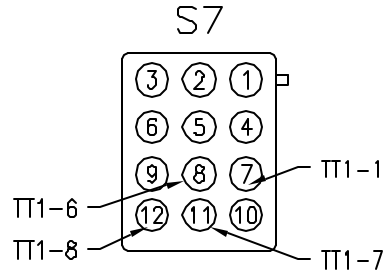
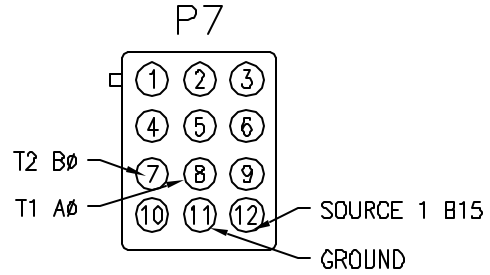
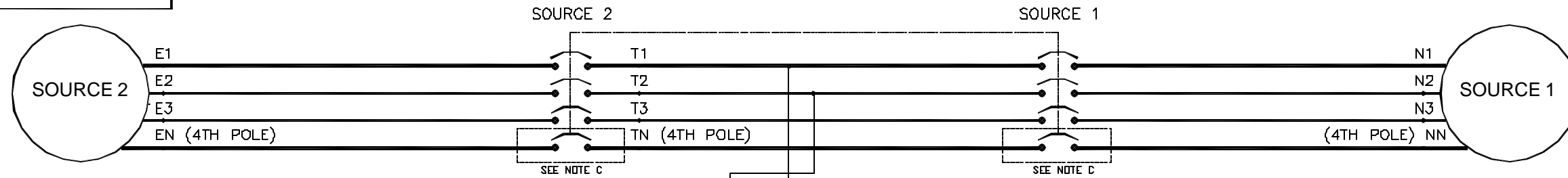


5724B81

LEGEND & NOTES	
	COMMON REFERENCE
	CURRENT TRANSFORMER LOCATED PER 18X OPTION
	EMERGENCY ATS TERMINAL BLOCK
	FEMALE CONNECTION
	FIXED MOUNT SWITCHING DEVICE
	MECHANICAL INTERLOCK
	MULTITAP TRANSFORMER
	N.C. SELECTOR SWITCH
	N.C. CONTACT
	N.O. CONTACT
	N.O. SELECTOR SWITCH
	NORMAL ATS TERMINAL BLOCK



GS-2212 1

REVISION	1	THE INFORMATION ON THIS DOCUMENT IS CREATED BY CUTLER-HAMMER. IT IS DISCLOSED IN CONFIDENCE AND IS ONLY TO BE USED FOR THE PURPOSE IN WHICH IT IS SUPPLIED.
FEDERAL ID NO	PRODUCT CODE	

DFTL	DATE	Cutler-Hammer	
LATHROP	9/21/2004	TITLE NON-AUTOMATIC TRANSFER SWITCH	
APPD	DATE	NTVEMG (A-D) FIXED MAGNUM ATS	
LATHROP	9/21/2004	TYPE	
APPD	DATE	DWC TYPE	
PRINCE	9/21/2004	WIRE DIAGRAM	
REVISION	DWC SIZE	G.O.	SHEET
1	B	DWC	5724B81 1 OF 1