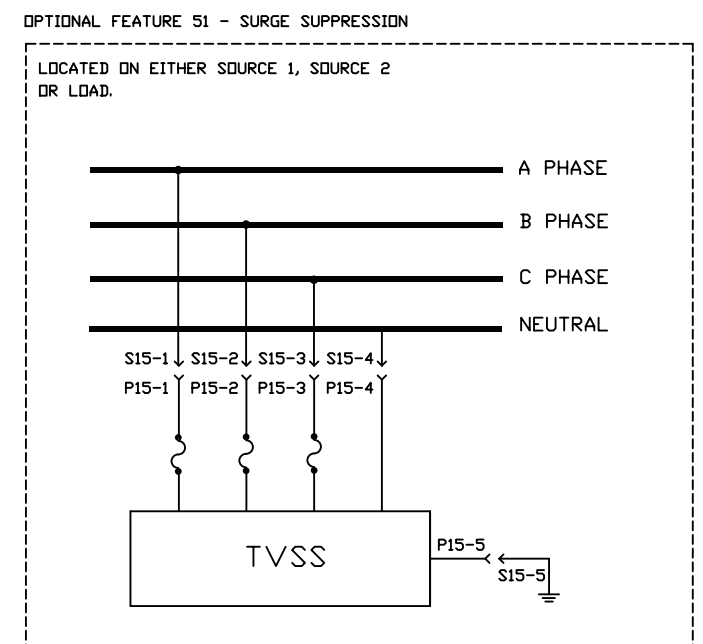
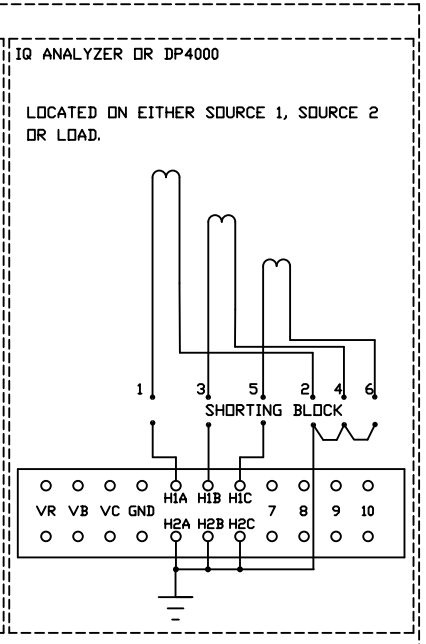
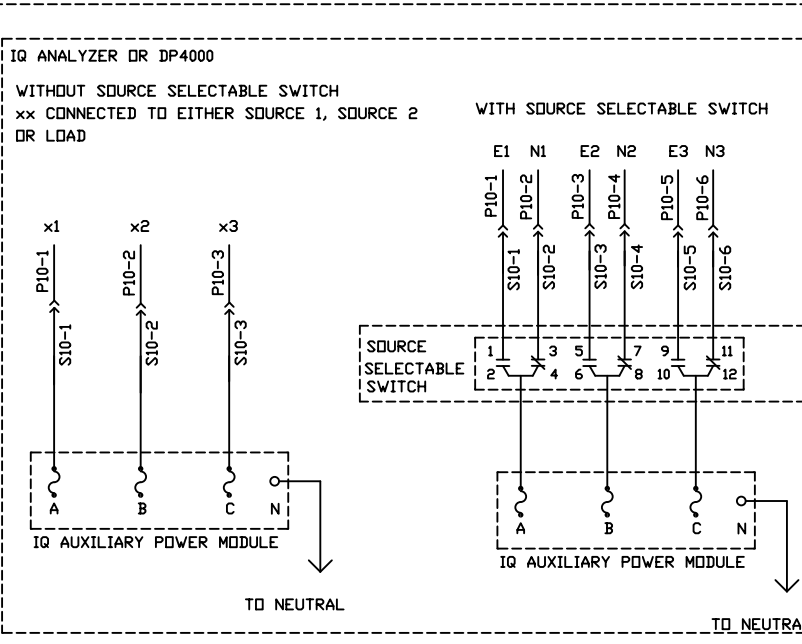
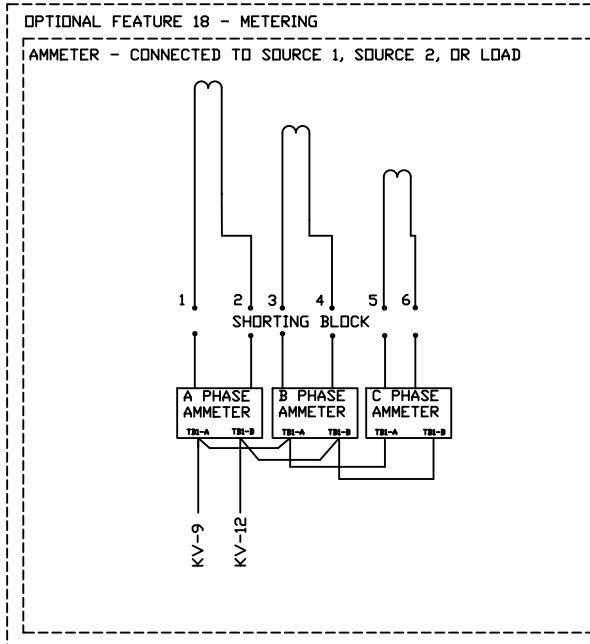
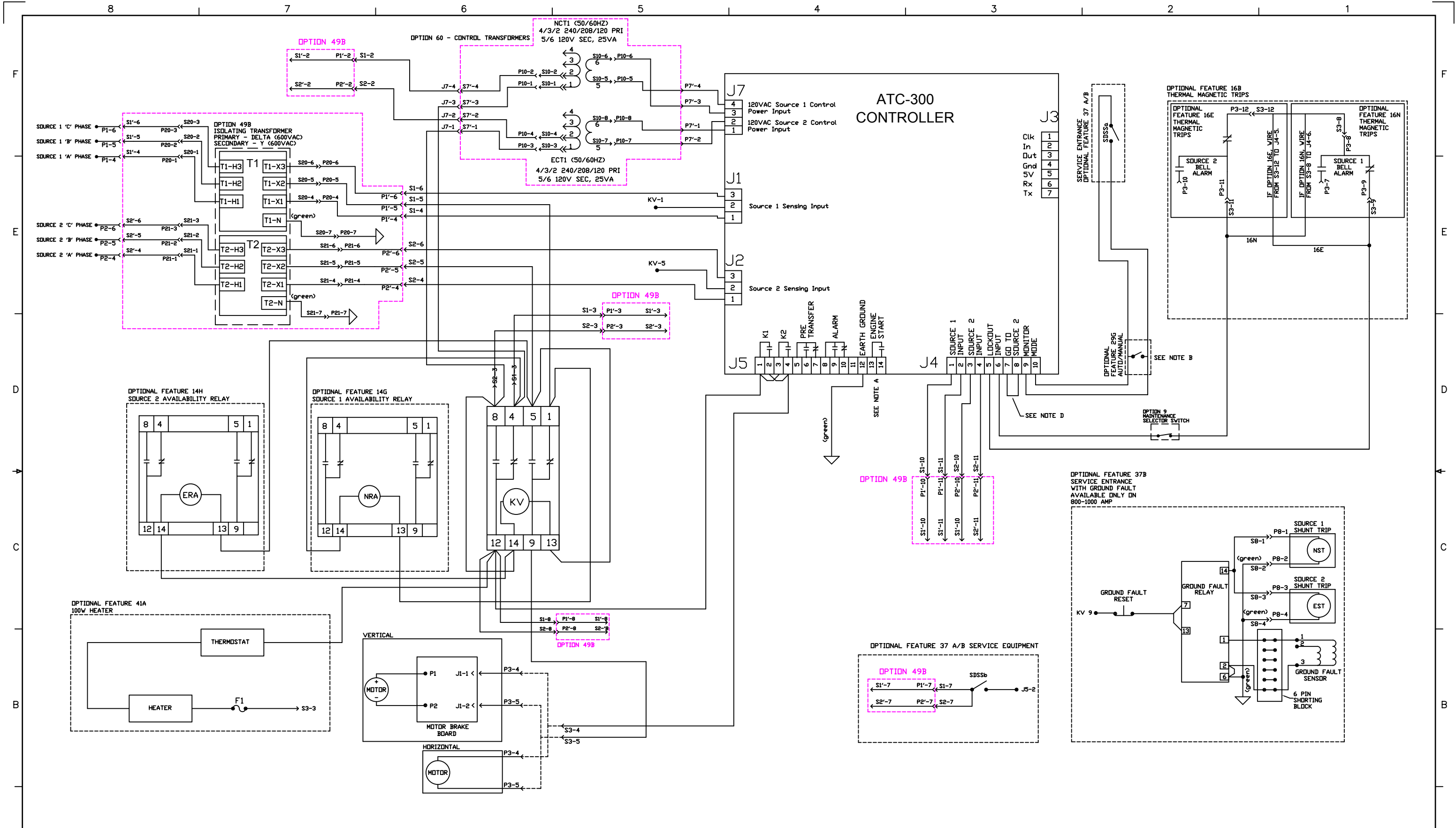


LEGEND & NOTES	
	COMMON REFERENCE
	FEMALE CONNECTION
	FIXED MOUNT
	SWITCHING DEVICE
	FUSE
	INDICATOR LIGHT
	MALE CONNECTION
	N.C. PUSHBUTTON
	N.C. SELECTOR SWITCH
	N.C. CONTACT
	N.O. CONTACT
	N.O. PUSHBUTTON
	N.O. SELECTOR SWITCH
	RELAY OR TIMER, 120VAC
	TERMINAL BLOCK
ESx - SOURCE 2 AUXILIARY SWITCH Ex - SOURCE 2 CUSTOMER CONNECTION FSx - FUSE HOLDER KV - VOTING RELAY NSx - SOURCE 1 AUXILIARY SWITCH Nx - SOURCE 1 CUSTOMER CONNECTION Px - FEMALE CONNECTOR SDSS - SERVICE DISCONNECT SELECTOR SWITCH SDSSx - SDSS CONTACT Sx - MALE CONNECTOR Tx - LOAD CUSTOMER CONNECTION	
NOTE A: TERMINALS ARE TO BE CONNECTED TO REMOTE START CONTACT FROM GENERATOR	
NOTE B: IF THIS OPTION IS INSTALLED, THE TRANSFER SWITCH WILL BE LABELED NON-AUTOMATIC TRANSFER SWITCH	
NOTE C: NEUTRAL SWITCHED ON 4 POLE DEVICE	
NOTE D: REMOVE TO TRANSFER TO SOURCE 2	



1	GS-1939	2	REVISION	3	REV. A GS-2106	4	REV. B GS-2106	5	REV. C GS-2106	6	REV. D GS-2106	7	REV. E GS-2106	8	REV. F GS-2106	9	REV. G GS-2106	10	11	12	13	14	15	16	17	18	19	20	21	22	23	24	25	26	27	28	29	30	31	32	33	34	35	36	37	38	39	40	41	42	43	44	45	46	47	48	49	50	51	52	53	54	55	56	57	58	59	60	61	62	63	64	65	66	67	68	69	70	71	72	73	74	75	76	77	78	79	80	81	82	83	84	85	86	87	88	89	90	91	92	93	94	95	96	97	98	99	100
	REV. H GS-2106		REV. I GS-2106		REV. J GS-2106		REV. K GS-2106		REV. L GS-2106		REV. M GS-2106		REV. N GS-2106		REV. O GS-2106		REV. P GS-2106																																																																																											

THE INFORMATION ON THIS DOCUMENT WAS CREATED BY CUTLER-HAMMER. IT WAS DISCLOSED IN CONFIDENCE AND IS ONLY TO BE USED FOR THE PURPOSE IN WHICH IT WAS SUPPLIED.		DFTR KOZAR	DATE 10/07/2003	<b>EATON</b>   <b>Cutler-Hammer</b>
		APPD LATHROP	DATE	
		S.O.		TITLE AUTOMATIC TRANSFER SWITCH 240/120V, 208/120V ATC-300 WALL MOUNT AG SWITCH
				TYPE WIRING DIAGRAM
FEDERAL ID NO. 88725	PRODUCT CODE 6448	REVISION 9	G.O.	DWG 5724B76
				SHEET 1 OF 3

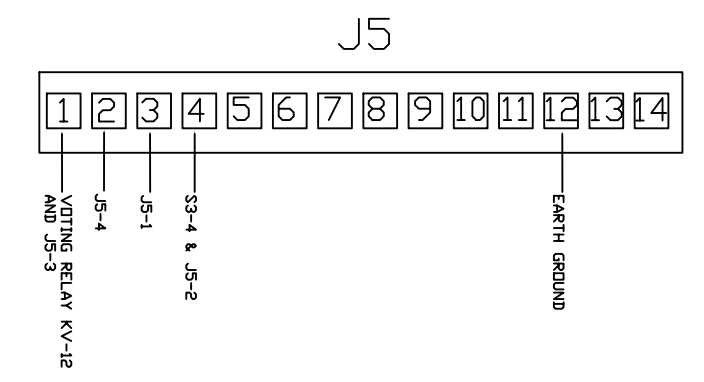
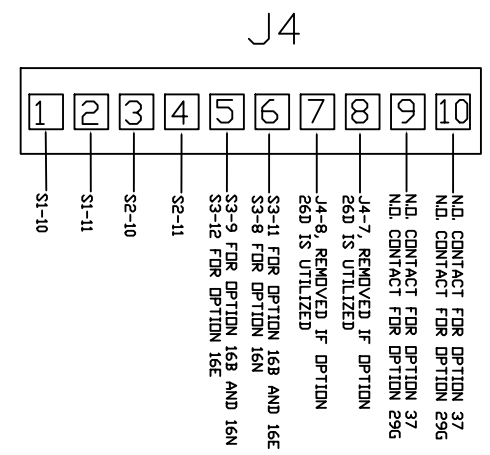
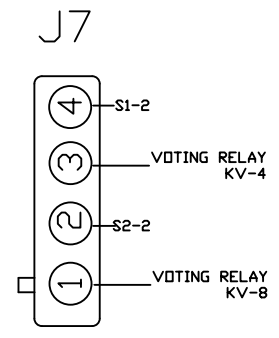
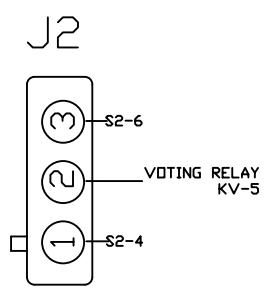
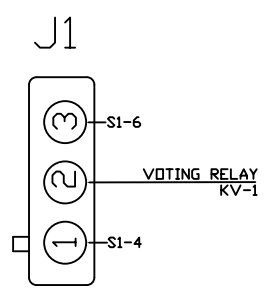
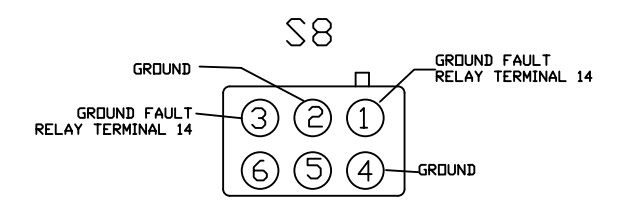
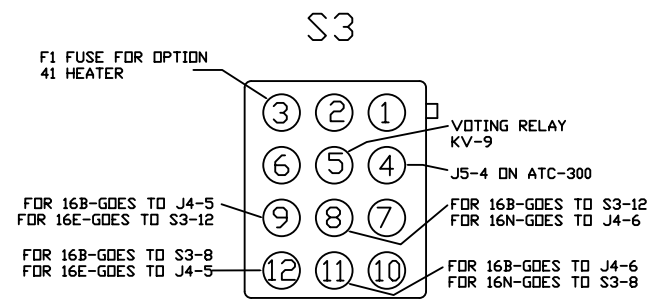
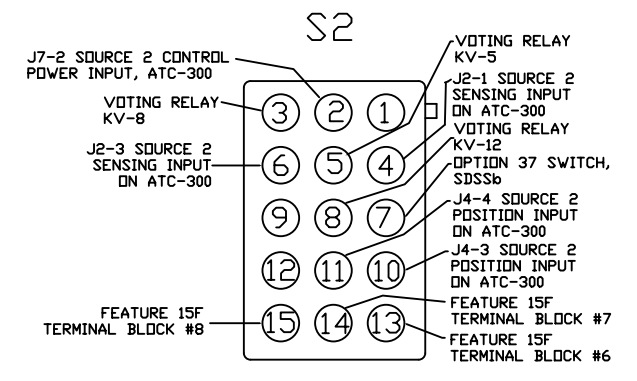
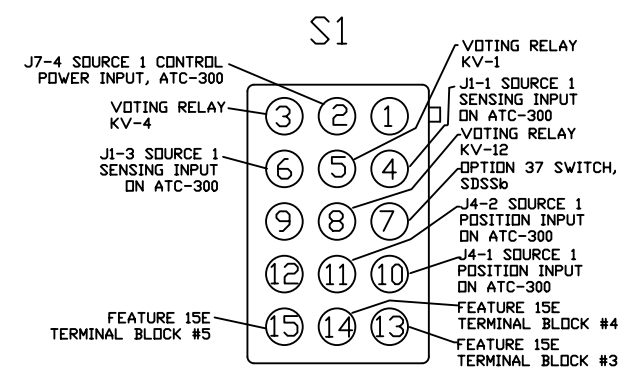
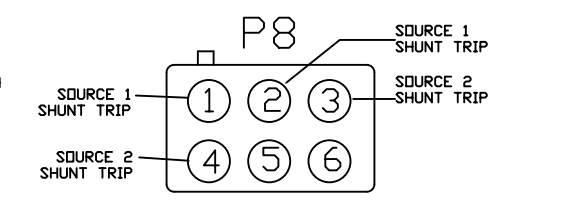
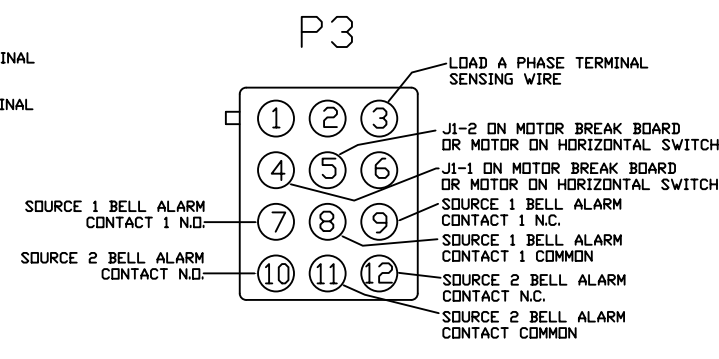
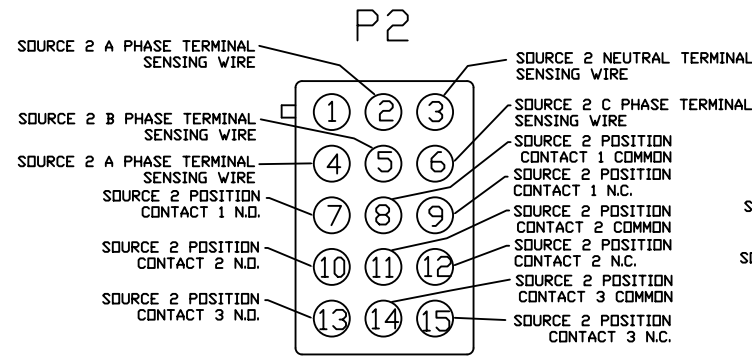
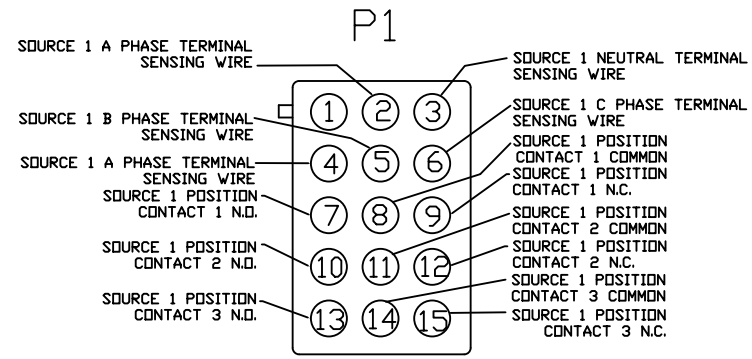


1	GS-1939
2	REVISION RN J GS-2105 KV'S AND WIP CONNECTIONS NOT CORRECT LATHROP 3/29/04 FRINCE
3	RN J GS-2159 REUSE PER MARKUP HEG 06/02/2004 FRINCE
4	RN J GS-2192 NO CHANGE THIS SHEET KUZAR 06/29/2004 MARTIN FRINCE
5	RN J GS-2173 SEE SHEET 1, NEW FORMAT MCCLOSKEY 6/21/05 FRINCE
6	RN J GS-2176 TRANSFER SHEET 3 HUNNER 1/12/07 FRINCE
7	RN J GS-2146 ADD OPTION 60 A. WILEY 05/29/07 D. UNDERWOOD
8	RN J GS-4153 ADD OPTION 60 A. WILEY 07/09/08 D. UNDERWOOD 07/09/08
9	RN J GS-4415 AND 49A ISOLATION TRANSFORMER PACKAGE D. UNDERWOOD 11/19/08 A. WILEY

THE INFORMATION ON THIS DOCUMENT WAS CREATED BY CUTLER-HAMMER. IT WAS DISCLOSED IN CONFIDENCE AND IS ONLY TO BE USED FOR THE PURPOSE IN WHICH IT WAS SUPPLIED.

FEDERAL ID NO.	PRODUCT CODE	REVISION
88725	6448	9

DFTR KOZAR	DATE 10/07/2003	<b>EATON</b>   <b>Cutler-Hammer</b> TITLE AUTOMATIC TRANSFER SWITCH 240/120V, 208/120V ATC-300 WALL MOUNT AG SWITCH
APPD LATHROP	DATE	
S.O.		TYPE WIRING DIAGRAM
G.O.	DWG 5724B76	SHEET 2 OF 3



1	GS-1939
2	REVISION
3	REV. 1. GS-2105. KV13 AND KV8 CONNECTIONS NOT CORRECT LATHROP 3/29/04 LATHROP PRINCE
4	REV. 2. GS-2105. REVISE FEED WIRING HEG 06/02/2004 LATHROP PRINCE
5	REV. 3. GS-2182. NO CHANGE THIS SHEET SEE SHEET 2, 3, 4, 5, 6, 7, 8, 9, 10, 11, 12, 13, 14, 15, 16, 17, 18, 19, 20, 21, 22, 23, 24, 25, 26, 27, 28, 29, 30, 31, 32, 33, 34, 35, 36, 37, 38, 39, 40, 41, 42, 43, 44, 45, 46, 47, 48, 49, 50, 51, 52, 53, 54, 55, 56, 57, 58, 59, 60, 61, 62, 63, 64, 65, 66, 67, 68, 69, 70, 71, 72, 73, 74, 75, 76, 77, 78, 79, 80, 81, 82, 83, 84, 85, 86, 87, 88, 89, 90, 91, 92, 93, 94, 95, 96, 97, 98, 99, 100, 101, 102, 103, 104, 105, 106, 107, 108, 109, 110, 111, 112, 113, 114, 115, 116, 117, 118, 119, 120, 121, 122, 123, 124, 125, 126, 127, 128, 129, 130, 131, 132, 133, 134, 135, 136, 137, 138, 139, 140, 141, 142, 143, 144, 145, 146, 147, 148, 149, 150, 151, 152, 153, 154, 155, 156, 157, 158, 159, 160, 161, 162, 163, 164, 165, 166, 167, 168, 169, 170, 171, 172, 173, 174, 175, 176, 177, 178, 179, 180, 181, 182, 183, 184, 185, 186, 187, 188, 189, 190, 191, 192, 193, 194, 195, 196, 197, 198, 199, 200, 201, 202, 203, 204, 205, 206, 207, 208, 209, 210, 211, 212, 213, 214, 215, 216, 217, 218, 219, 220, 221, 222, 223, 224, 225, 226, 227, 228, 229, 230, 231, 232, 233, 234, 235, 236, 237, 238, 239, 240, 241, 242, 243, 244, 245, 246, 247, 248, 249, 250, 251, 252, 253, 254, 255, 256, 257, 258, 259, 260, 261, 262, 263, 264, 265, 266, 267, 268, 269, 270, 271, 272, 273, 274, 275, 276, 277, 278, 279, 280, 281, 282, 283, 284, 285, 286, 287, 288, 289, 290, 291, 292, 293, 294, 295, 296, 297, 298, 299, 300, 301, 302, 303, 304, 305, 306, 307, 308, 309, 310, 311, 312, 313, 314, 315, 316, 317, 318, 319, 320, 321, 322, 323, 324, 325, 326, 327, 328, 329, 330, 331, 332, 333, 334, 335, 336, 337, 338, 339, 340, 341, 342, 343, 344, 345, 346, 347, 348, 349, 350, 351, 352, 353, 354, 355, 356, 357, 358, 359, 360, 361, 362, 363, 364, 365, 366, 367, 368, 369, 370, 371, 372, 373, 374, 375, 376, 377, 378, 379, 380, 381, 382, 383, 384, 385, 386, 387, 388, 389, 390, 391, 392, 393, 394, 395, 396, 397, 398, 399, 400, 401, 402, 403, 404, 405, 406, 407, 408, 409, 410, 411, 412, 413, 414, 415, 416, 417, 418, 419, 420, 421, 422, 423, 424, 425, 426, 427, 428, 429, 430, 431, 432, 433, 434, 435, 436, 437, 438, 439, 440, 441, 442, 443, 444, 445, 446, 447, 448, 449, 450, 451, 452, 453, 454, 455, 456, 457, 458, 459, 460, 461, 462, 463, 464, 465, 466, 467, 468, 469, 470, 471, 472, 473, 474, 475, 476, 477, 478, 479, 480, 481, 482, 483, 484, 485, 486, 487, 488, 489, 490, 491, 492, 493, 494, 495, 496, 497, 498, 499, 500, 501, 502, 503, 504, 505, 506, 507, 508, 509, 510, 511, 512, 513, 514, 515, 516, 517, 518, 519, 520, 521, 522, 523, 524, 525, 526, 527, 528, 529, 530, 531, 532, 533, 534, 535, 536, 537, 538, 539, 540, 541, 542, 543, 544, 545, 546, 547, 548, 549, 550, 551, 552, 553, 554, 555, 556, 557, 558, 559, 560, 561, 562, 563, 564, 565, 566, 567, 568, 569, 570, 571, 572, 573, 574, 575, 576, 577, 578, 579, 580, 581, 582, 583, 584, 585, 586, 587, 588, 589, 590, 591, 592, 593, 594, 595, 596, 597, 598, 599, 600, 601, 602, 603, 604, 605, 606, 607, 608, 609, 610, 611, 612, 613, 614, 615, 616, 617, 618, 619, 620, 621, 622, 623, 624, 625, 626, 627, 628, 629, 630, 631, 632, 633, 634, 635, 636, 637, 638, 639, 640, 641, 642, 643, 644, 645, 646, 647, 648, 649, 650, 651, 652, 653, 654, 655, 656, 657, 658, 659, 660, 661, 662, 663, 664, 665, 666, 667, 668, 669, 670, 671, 672, 673, 674, 675, 676, 677, 678, 679, 680, 681, 682, 683, 684, 685, 686, 687, 688, 689, 690, 691, 692, 693, 694, 695, 696, 697, 698, 699, 700, 701, 702, 703, 704, 705, 706, 707, 708, 709, 710, 711, 712, 713, 714, 715, 716, 717, 718, 719, 720, 721, 722, 723, 724, 725, 726, 727, 728, 729, 730, 731, 732, 733, 734, 735, 736, 737, 738, 739, 740, 741, 742, 743, 744, 745, 746, 747, 748, 749, 750, 751, 752, 753, 754, 755, 756, 757, 758, 759, 760, 761, 762, 763, 764, 765, 766, 767, 768, 769, 770, 771, 772, 773, 774, 775, 776, 777, 778, 779, 780, 781, 782, 783, 784, 785, 786, 787, 788, 789, 790, 791, 792, 793, 794, 795, 796, 797, 798, 799, 800, 801, 802, 803, 804, 805, 806, 807, 808, 809, 810, 811, 812, 813, 814, 815, 816, 817, 818, 819, 820, 821, 822, 823, 824, 825, 826, 827, 828, 829, 830, 831, 832, 833, 834, 835, 836, 837, 838, 839, 840, 841, 842, 843, 844, 845, 846, 847, 848, 849, 850, 851, 852, 853, 854, 855, 856, 857, 858, 859, 860, 861, 862, 863, 864, 865, 866, 867, 868, 869, 870, 871, 872, 873, 874, 875, 876, 877, 878, 879, 880, 881, 882, 883, 884, 885, 886, 887, 888, 889, 890, 891, 892, 893, 894, 895, 896, 897, 898, 899, 900, 901, 902, 903, 904, 905, 906, 907, 908, 909, 910, 911, 912, 913, 914, 915, 916, 917, 918, 919, 920, 921, 922, 923, 924, 925, 926, 927, 928, 929, 930, 931, 932, 933, 934, 935, 936, 937, 938, 939, 940, 941, 942, 943, 944, 945, 946, 947, 948, 949, 950, 951, 952, 953, 954, 955, 956, 957, 958, 959, 960, 961, 962, 963, 964, 965, 966, 967, 968, 969, 970, 971, 972, 973, 974, 975, 976, 977, 978, 979, 980, 981, 982, 983, 984, 985, 986, 987, 988, 989, 990, 991, 992, 993, 994, 995, 996, 997, 998, 999, 1000
9	REV. 4. GS-4415. AND 49A SOLUTION TRANSFORMER PACKAGE D. UNDERWOOD 11/19/08 A. WILEY

THE INFORMATION ON THIS DOCUMENT WAS CREATED BY CUTLER-HAMMER. IT WAS DISCLOSED IN CONFIDENCE AND IS ONLY TO BE USED FOR THE PURPOSE IN WHICH IT WAS SUPPLIED.		DFTK KOZAR	DATE 10/07/2003	<b>Eaton</b>   <b>Cutler-Hammer</b>	
		APPD LATHROP	DATE	TITLE AUTOMATIC TRANSFER SWITCH 240/120V, 208/120V ATC-300 WALL MOUNT AG SWITCH	
		S.O.		TYPE WIRING DIAGRAM	
FEDERAL ID NO. 88725	PRODUCT CODE 6448	REVISION 9	G.O.	DWG 5724B76	SHEET 3 OF 3