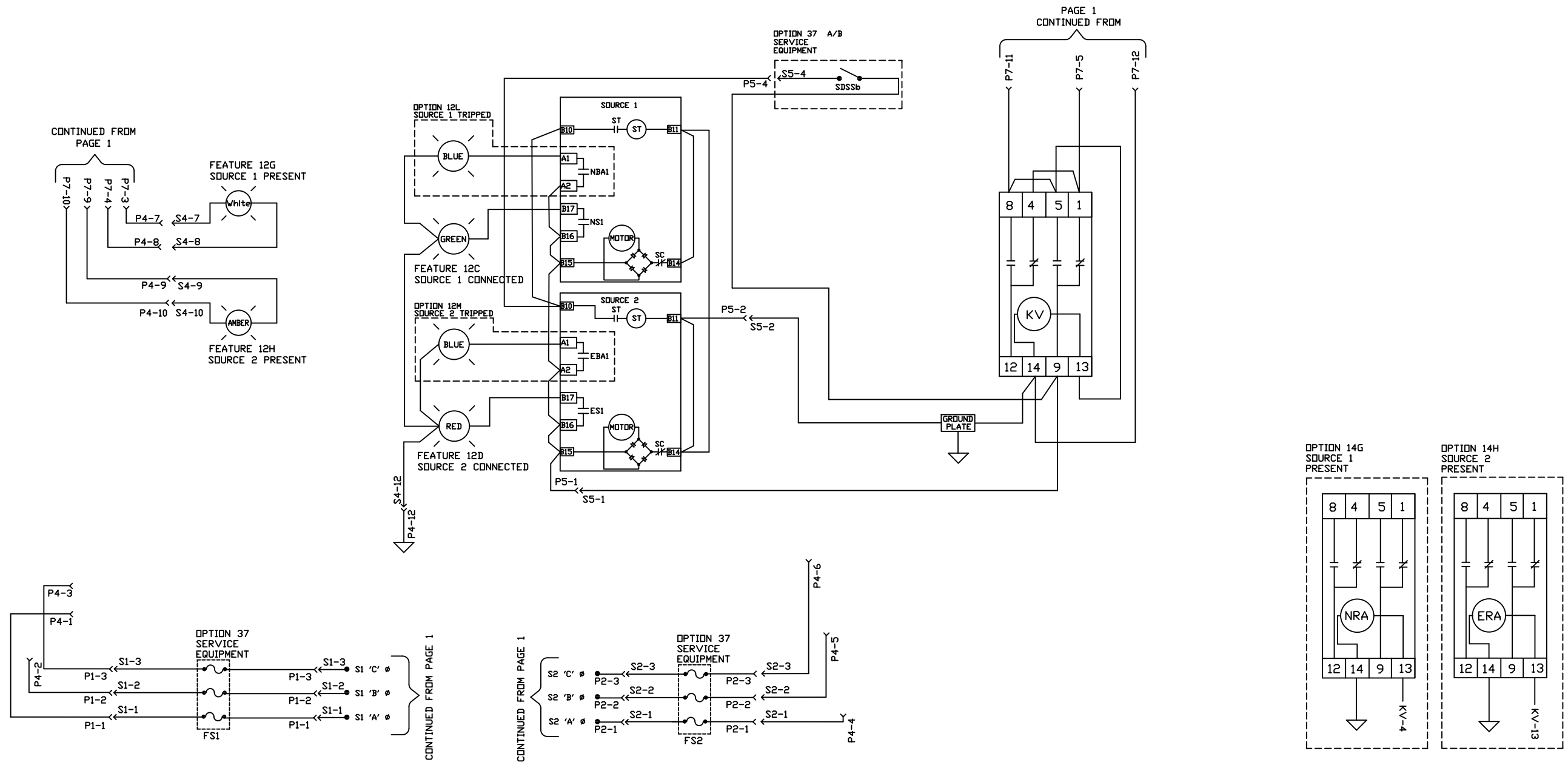


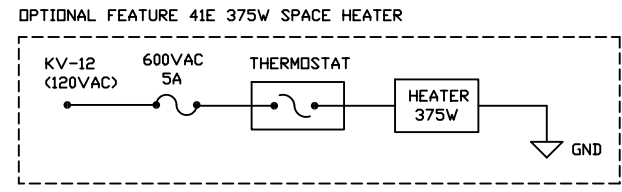
SYSTEM SHOWN DEENERGIZED WITH BOTH SWITCHING DEVICES OPENED

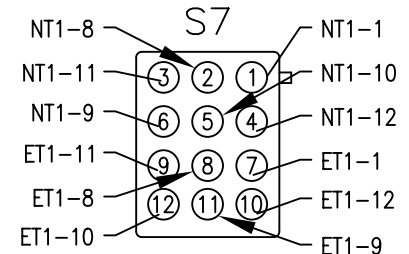
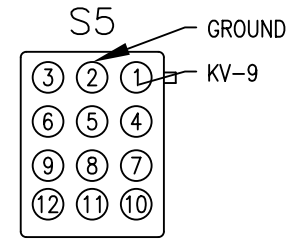
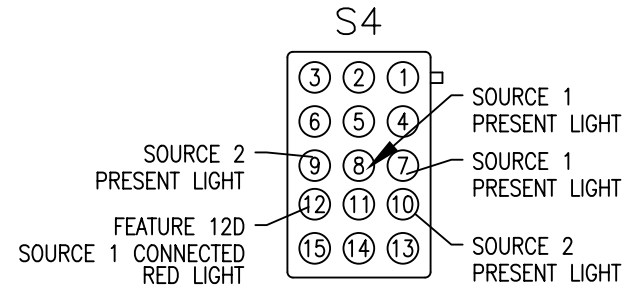
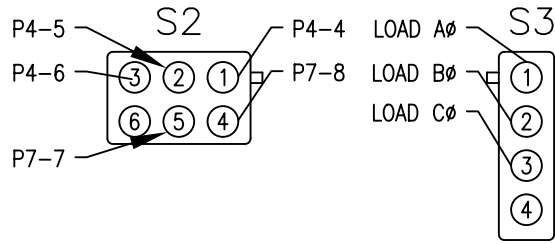
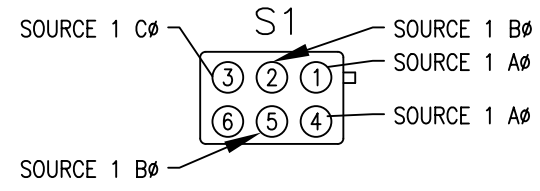
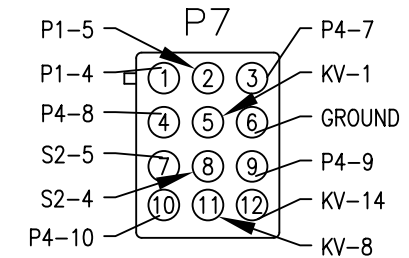
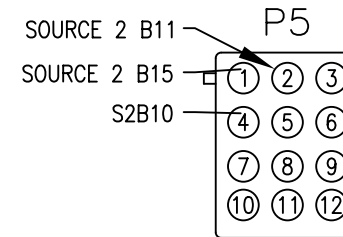
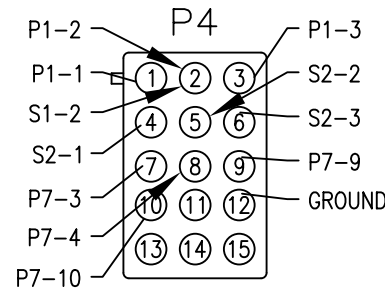
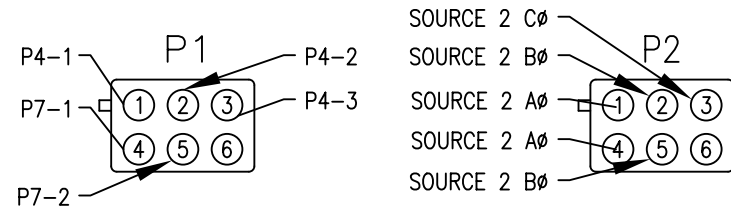


LEGEND & NOTES		
ESx - EMERGENCY AUXILIARY SWITCH	KV - VOTING RELAY	NOTE B: INCLUDED WITH DRAWOUT VERSION ONLY
ETx - EMERGENCY TRANSFORMER	Px - FEMALE CONNECTOR	NOTE C: NEUTRAL SWITCHED ON 4 POLE DEVICE
Ex - EMERGENCY CUSTOMER CONNECTION	Sx - MALE CONNECTOR	
NSx - NORMAL AUXILIARY SWITCH	SDSS - SERVICE DISCONNECT SELECTOR SWITCH	
NTx - NORMAL TRANSFORMER	SDSSx - SDSS CONTACT	
Nx - NORMAL CUSTOMER CONNECTION	Tx - LOAD CUSTOMER CONNECTION	
	FSx - FUSE HOLDER	
	ST - SHUNT TRIP	

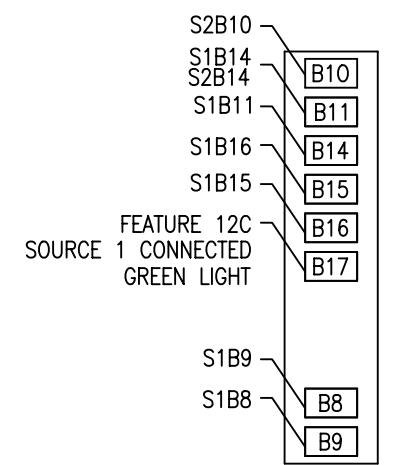
1	2	3	4	5	6	7
GS-2212	REVISION					
	REV. # GS-2212-001 ADD SHEETS 7 AND 8 DATE 11/9/2004 LATHROP PRINCE					
	REV. # GS-2212-002 ADD NEW FORMAT DATE 06/09/2005 LATHROP PRINCE					
	REV. # GS-2212-003 SEE SHEET 1					
	REV. # GS-3720 A. MULEY 05/30/07 D. UNDERWOOD					
	REV. # GS-3720 A. MULEY 12/19/07 D. UNDERWOOD					
	REV. # GS-4044 ADDED OPTION 41E 375W SPACE HEATER REMOVED OPTION 41C DATE 06/19/08 D. UNDERWOOD					
	REV. # GS-4206 REVISED OPTION 16L, 16N, 16B, REVISED POSITION CONTACTS FOR ATS & BYPASS BREAKER REVISED N11/ET1 TRANSFORMERS DATE 07/17/08 D. UNDERWOOD					

THE INFORMATION ON THIS DOCUMENT WAS CREATED BY CUTLER-HAMMER. IT WAS DISCLOSED IN CONFIDENCE AND IS ONLY TO BE USED FOR THE PURPOSE IN WHICH IT WAS SUPPLIED.		DFTR INFANTOZZI	DATE 08/27/2004	EATON Cutler-Hammer	
		APPD LATHROP	DATE 08/24/2004	TITLE AUTOMATIC TRANSFER SWITCH NTVEMG (A-H) FIXED OR DRAWOUT MAGNUM ATS	
		S.O.		TYPE WIRING DIAGRAM	
FEDERAL ID NO. 88725	PRODUCT CODE	REVISION 7	G.O.	DWG 5724B81	SHEET 2 OF 3

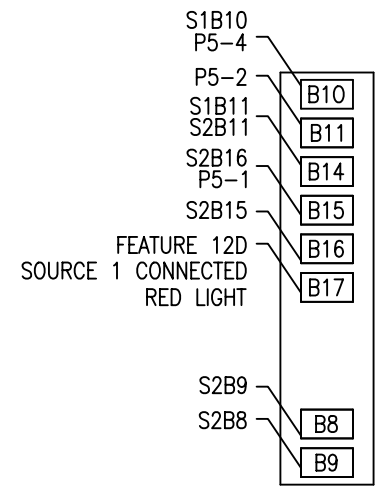




SOURCE 1
SECONDARY
CONNECTIONS



SOURCE 2
SECONDARY
CONNECTIONS



1	GS-2212
2	REVISION
3	REV. # GS-2244 ADD SHEETS 7 AND 8 A. INFANTOZZI 11/9/2004 LATHROP PRINCE
4	REV. # GS-2285 ADD NEW FORMAT HEG 06/09/2005 LATHROP PRINCE
5	REV. # GS-3228 SEE SHEET 1 A. UNDERWOOD
6	REV. # GS-3720 ADDED ZONE INTERLOCK A. MULEY 12/19/07 D. UNDERWOOD
7	REV. # GS-4044 REVISED OPTION 16E, 16N, 16B, REVISED POSITION CONTACTS FOR ATS & BYPASS BREAKER REVISED NT1/ET1 TRANSFORMERS A. MULEY 07/17/08 D. UNDERWOOD

THE INFORMATION ON THIS DOCUMENT WAS CREATED BY CUTLER-HAMMER. IT WAS DISCLOSED IN CONFIDENCE AND IS ONLY TO BE USED FOR THE PURPOSE IN WHICH IT WAS SUPPLIED.		DFTR INFANTOZZI	DATE 08/27/2004	EAT•N Cutler-Hammer	
		APPD LATHROP	DATE 08/24/2004	TITLE AUTOMATIC TRANSFER SWITCH NTVEMG (A-H) FIXED OR DRAWOUT MAGNUM ATS	
		S.O.		TYPE WIRING DIAGRAM	
FEDERAL ID NO. 88725	PRODUCT CODE	REVISION 7	G.O.	DWG 5724B81	SHEET 3 OF 3