

ATC3C2X30100XSU

AUTOMATIC OPEN TRANSFER CONTACTOR SWITCH
 ATC-300+ CONTROL, 2 POSITION CONTACTOR
 FIXED MOUNTED
 3 POLE, 100 AMPS
 480/277V 60HZ, 3 PHASE, 4 WIRE
 TYPE-1 ENCLOSURE, UL 1008 LISTED

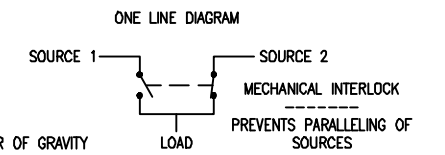
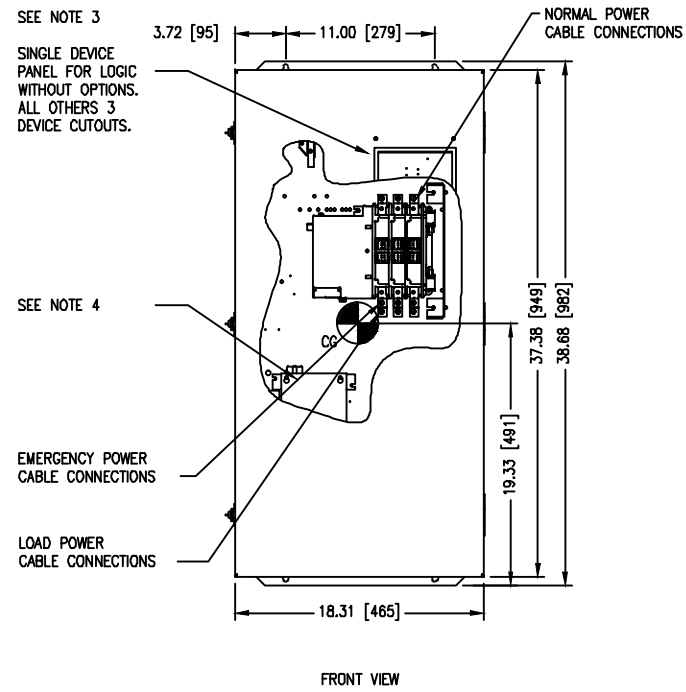
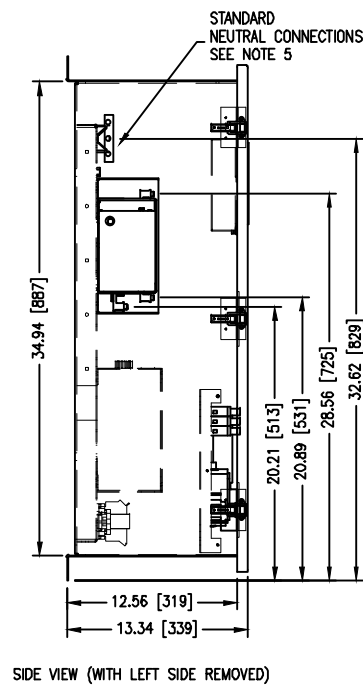
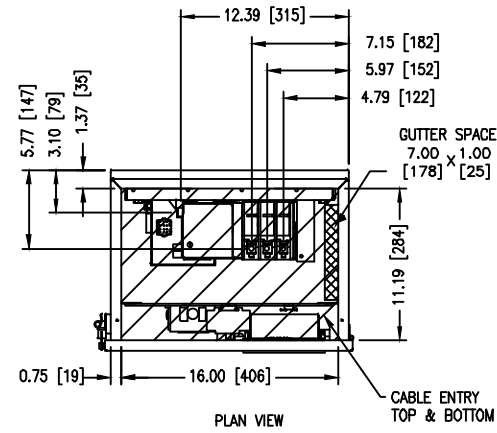
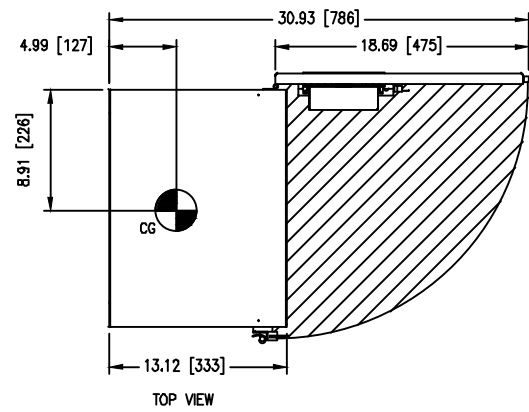
FEATURES INCLUDED:

- 1A TIME DELAY NORMAL TO EMERGENCY ADJ 0-1800 sec
- 2A TIME DELAY ENGINE START ADJ 0-120 sec
- 3A TIME DELAY EMERGENCY TO NORMAL ADJ 0-1800 sec
- 4A TIME DELAY ENGINE COOL-OFF ADJ 0-1800 sec
- 5H EMERGENCY (S2) SENSING PHASE REVERSAL
- 5J EMERGENCY (S2) SENSING ALL PHASE UNDERVOLTAGE/UNDER FREQ
- 5K EMERGENCY (S2) SENSING ALL PHASE OVERVOLTAGE/OVER FREQ
- 5L EMERGENCY (S2) SENSING ALL PHASE VOLTAGE UNBALANCE
- 6B ENGINE TEST PUSHBUTTON
- 7A TIME DELAY ENGINE FAIL ADJ 0-6 sec
- 8C TIME DELAY BYPASS EMERGENCY TO NORMAL
- 8D TIME DELAY BYPASS NORMAL TO EMERGENCY
- 12C LED INDICATION NORMAL (S1) CONNECTED
- 12D LED INDICATION EMERGENCY (S2) CONNECTED
- 12G LED INDICATION NORMAL (S1) AVAILABLE
- 12H LED INDICATION EMERGENCY (S2) AVAILABLE
- 14G AUX RELAY CONTACTS NORMAL (S1) AVAILABLE 2 FORM C
- 14H AUX RELAY CONTACTS EMERGENCY (S2) AVAILABLE 2 FORM C
- 15E POSITION INDICATION CONTACT NORMAL (S1) AVAILABLE 1 FORM C
- 15F POSITION INDICATION CONTACT EMERGENCY (S2) AVAILABLE 1 FORM C
- 23K PLANT EXERCISER 7/14/28 DAY LOAD/NO LOAD 0-600 min
- 26D GO TO EMERGENCY (S2) INPUT
- 26H NORMAL (S1) SENSING PHASE REVERSAL
- 26J NORMAL (S1) SENSING ALL PHASE UNDERVOLTAGE/UNDER FREQ
- 26K NORMAL (S1) SENSING ALL PHASE OVERVOLTAGE/OVER FREQ
- 26L NORMAL (S1) SENSING ALL PHASE VOLTAGE UNBALANCE
- 32F IN-PHASE TRANSITION
- 35A PRETRANSFER SIGNAL CONTACTS 1 FORM C
- 42 IBC/CBC SEISMIC QUALIFIED
- 49C MULTI-TAP VOLTAGE TRANSFORMER

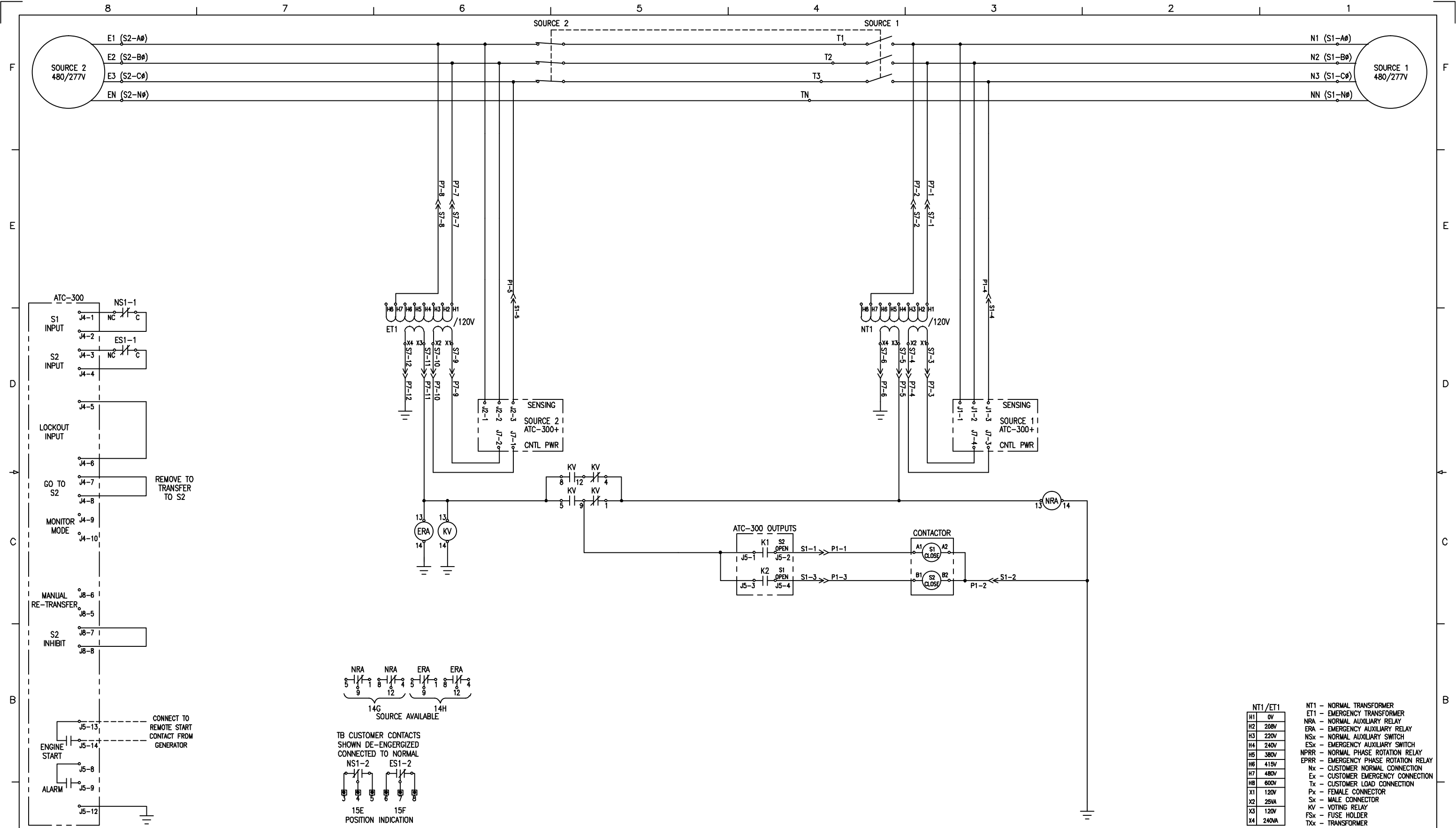
REQUIRED FOR SEISMIC, RECOMMENDED FOR ALL APPLICATIONS:
 USE 4, 1/2-13 UNC GRADE 5 OR BETTER HEX HEAD BOLTS AND WASHERS.
 THESE BOLTS ARE TO BE TORQUED TO 75 FT. LBS. (102 NM).

NOTES:

- 1 APPROXIMATE SHIPPING WEIGHT = 156 LBS [71 KG]
- 2 DIMENSIONS SHOWN IN INCHES [MILLIMETERS]
- 3 AUTOMATIC & NON-AUTOMATIC CONTROLS PROVIDED BASED ON CUSTOMER ORDER INFORMATION.
- 4 TRANSFORMER PACK IS NOT INCLUDED WITH 240/120V, 1 PHASE OR 208/120V SYSTEMS.
- 5 FOR SWITCHED NEUTRAL APPLICATIONS, CONNECT TO TERMINALS MARKED 'NN', 'EN', AND 'LN'. NEUTRAL ASSEMBLY WILL NOT BE PROVIDED.

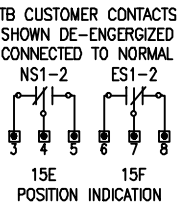
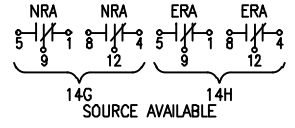


REVISION	1		DFTR	DATE	THE INFORMATION ON THIS DOCUMENT WAS CREATED BY EATON CORPORATION. IT WAS DISCLOSED IN CONFIDENCE AND IS ONLY TO BE USED FOR THE PURPOSE IN WHICH IT WAS SUPPLIED.		
			APPD	DATE	TITLE AUTOMATIC OPEN TRANSFER CONTACTOR SWITCH 480V 2 POSITION 40-100 AMP ATC-300+ CONTROLLER		
			FEDERAL ID NO. 88725	S.O.	TYPE ATC3C2X30100XSU	OUTLINE	
			PRODUCT CODE AT	REVISION 1	DESIGNATION 2 POS CONT	G.O. -	DWG 2 POS CONT 01



NT1/ET1	
H1	0V
H2	208V
H3	220V
H4	240V
H5	380V
H6	415V
H7	480V
H8	600V
X1	120V
X2	25VA
X3	120V
X4	240VA

NT1	- NORMAL TRANSFORMER
ET1	- EMERGENCY TRANSFORMER
NRA	- NORMAL AUXILIARY RELAY
ERA	- EMERGENCY AUXILIARY RELAY
NSx	- NORMAL AUXILIARY SWITCH
ESx	- EMERGENCY AUXILIARY SWITCH
NPRR	- NORMAL PHASE ROTATION RELAY
EPRR	- EMERGENCY PHASE ROTATION RELAY
Nx	- CUSTOMER NORMAL CONNECTION
Ex	- CUSTOMER EMERGENCY CONNECTION
Tx	- CUSTOMER LOAD CONNECTION
Px	- FEMALE CONNECTOR
Sx	- MALE CONNECTOR
KV	- VOTING RELAY
FSx	- FUSE HOLDER
TXx	- TRANSFORMER



REVISION	DATE		DATE		DATE	
	DFTR	DATE	APPD	DATE	FEDERAL ID NO.	S.O.
1					88725	
	PRODUCT CODE	REVISION	DESIGNATION	G.O.	DWG	SHEET
	AT	1	2 POS CONT	-	2 POS CONT S1	2 OF 4

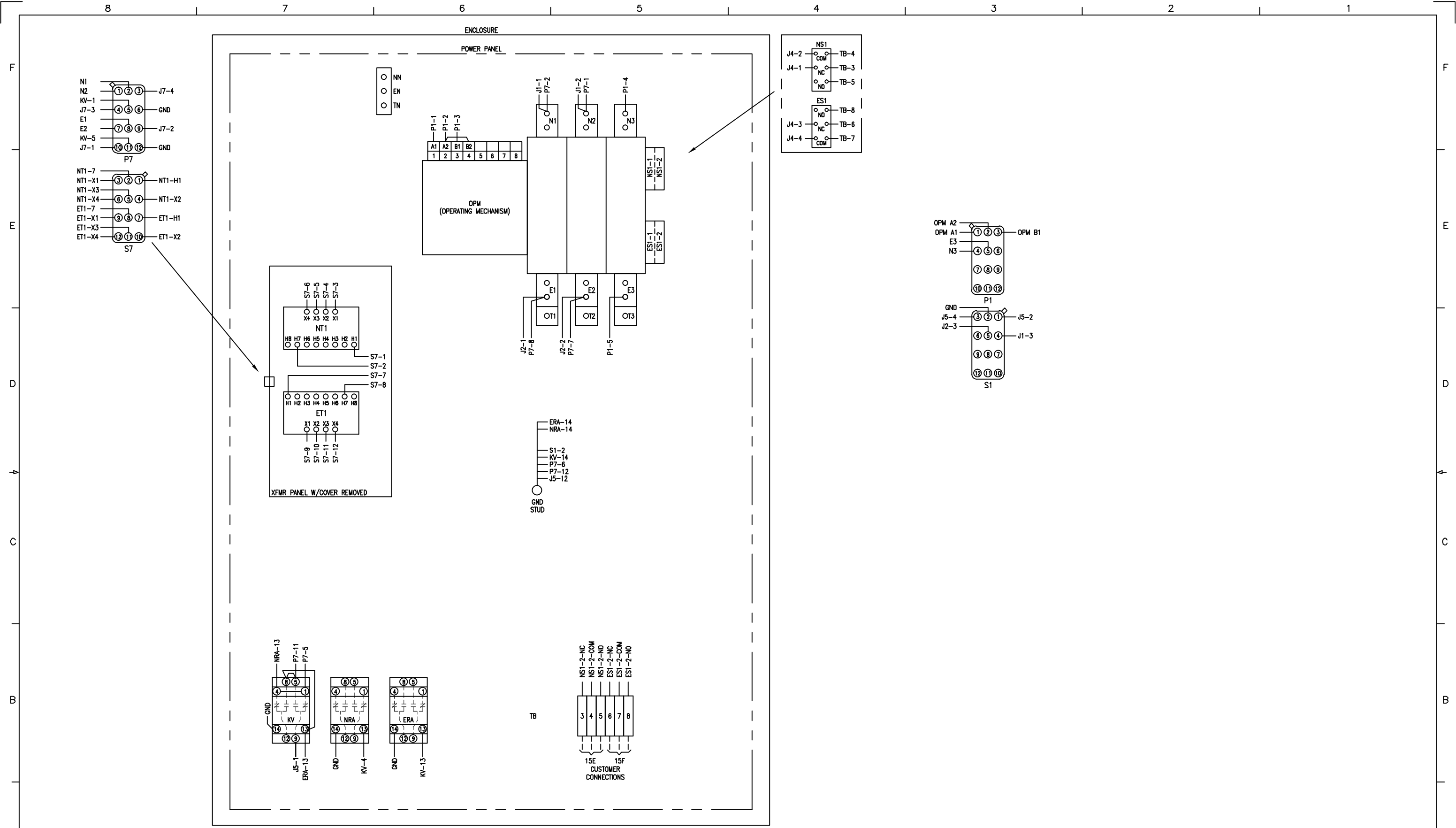
THE INFORMATION ON THIS DOCUMENT WAS CREATED BY EATON CORPORATION. IT WAS DISCLOSED IN CONFIDENCE AND IS ONLY TO BE USED FOR THE PURPOSE IN WHICH IT WAS SUPPLIED.

EATON


TITLE: AUTOMATIC OPEN TRANSFER | CONTACTOR SWITCH
480V 2 POSITION | 40-100 AMP | ATC-300+ CONTROLLER

TYPE: ATC3C2X30100XSU

SCHEMATIC



1	REVISION
---	----------

DFTR		DATE	THE INFORMATION ON THIS DOCUMENT WAS CREATED BY EATON CORPORATION. IT WAS DISCLOSED IN CONFIDENCE AND IS ONLY TO BE USED FOR THE PURPOSE IN WHICH IT WAS SUPPLIED.	
APPD		DATE		
FEDERAL ID NO. 88725		S.O.	TITLE AUTOMATIC OPEN TRANSFER CONTACTOR SWITCH 480V 2 POSITION 40-100 AMP ATC-300+ CONTROLLER	
PRODUCT CODE AT		REVISION 1	DESIGNATION 2 POS CONT	TYPE ATC3C2X30100XSU DIAGRAM
		DWG	G.O. - 2 POS CONT W1 SHEET 3 OF 4	

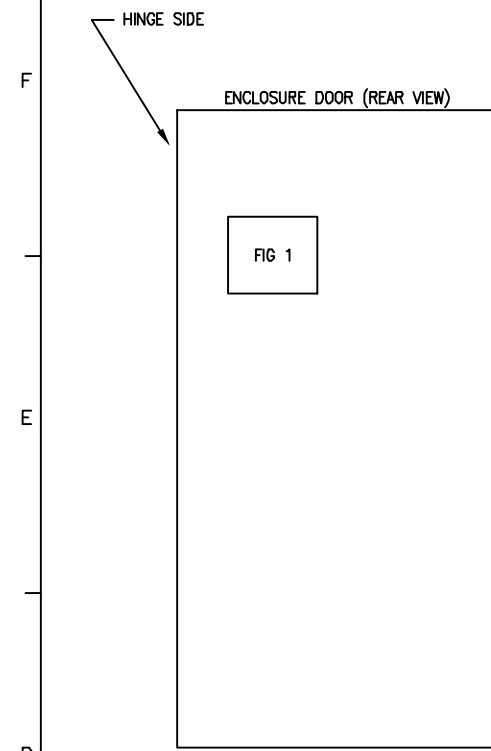
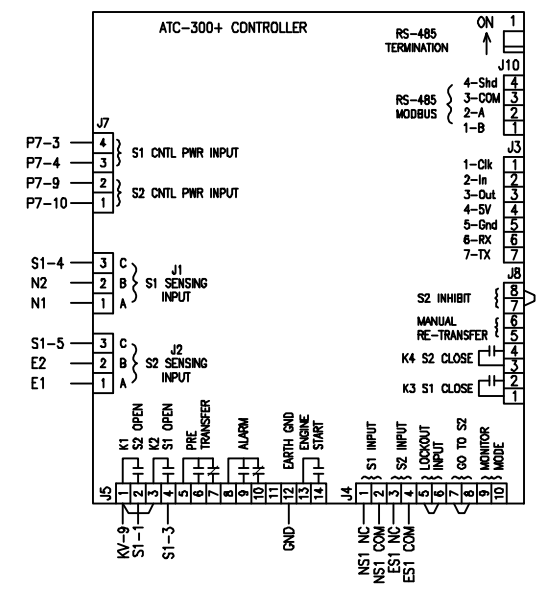


FIG 1



1	REVISION	DFTR	DATE	THE INFORMATION ON THIS DOCUMENT WAS CREATED BY EATON CORPORATION. IT WAS DISCLOSED IN CONFIDENCE AND IS ONLY TO BE USED FOR THE PURPOSE IN WHICH IT WAS SUPPLIED.	
		APPD	DATE		
		FEDERAL ID NO. 88725	S.O.	TITLE AUTOMATIC OPEN TRANSFER CONTACTOR SWITCH 480V 2 POSITION 40-100 AMP ATC-300+ CONTROLLER	
		PRODUCT CODE AT	REVISION 1	DESIGNATION 2 POS CONT	G.O. -