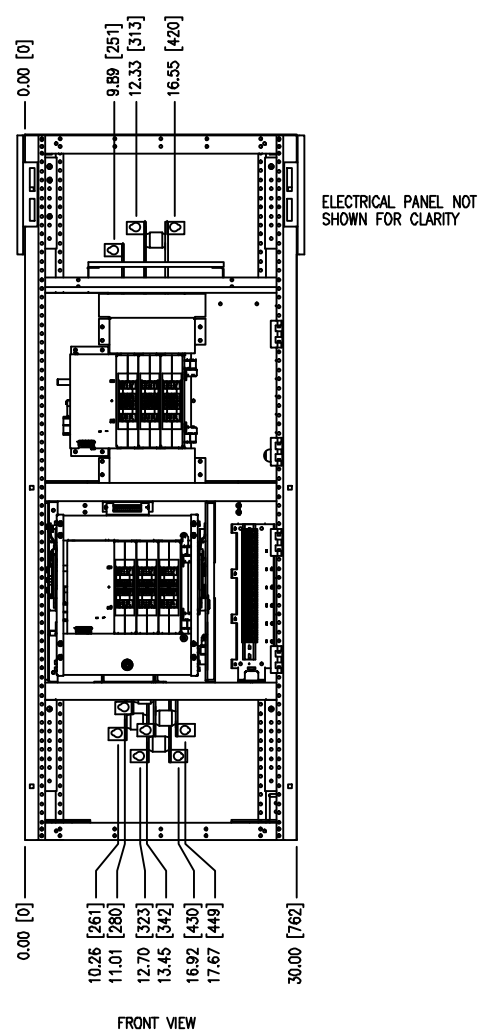
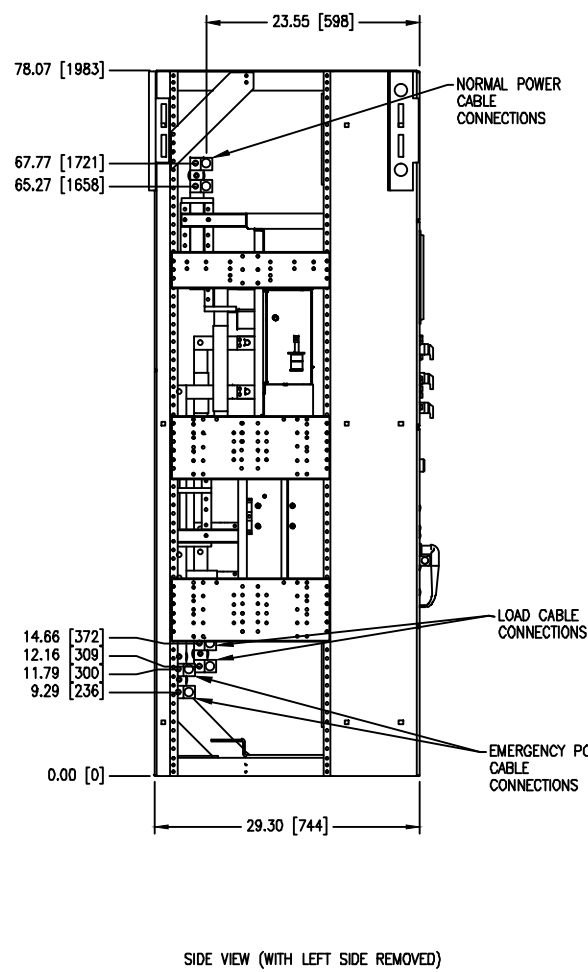
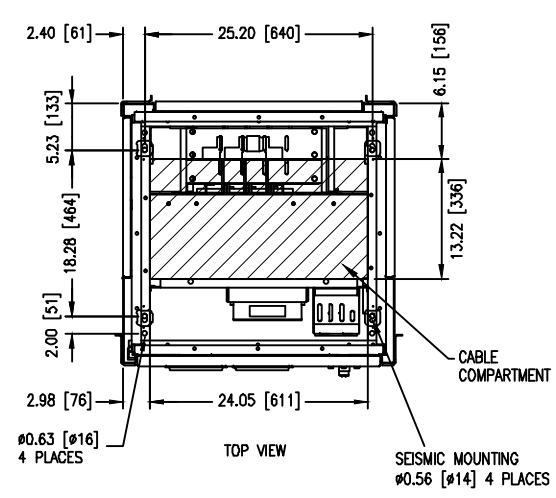
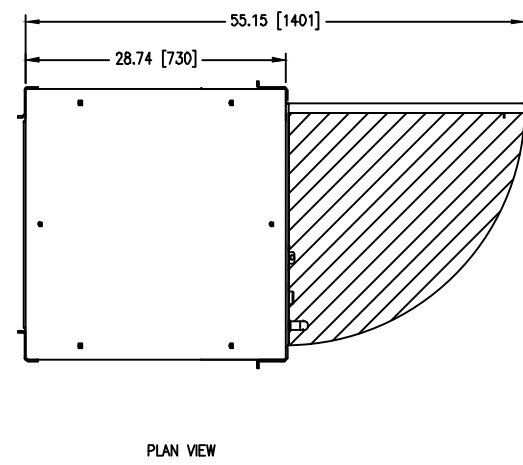


8 7 6 5 4 3 2 1



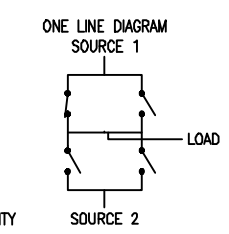
BIC3C3X30400XSU

BYPASS ISOLATION OPEN TRANSFER CONTACTOR SWITCH
 ATC-300+ CONTROL, 3 POSITION CONTACTOR
 FIXED MOUNTED
 3 POLE, 400 AMPS
 480/277V 60HZ, 3 PHASE, 4 WIRE
 TYPE-1 ENCLOSURE, UL 1008 LISTED

- FEATURES INCLUDED:
- 1A TIME DELAY NORMAL TO EMERGENCY ADJ 0-1800 sec
 - 2A TIME DELAY ENGINE START ADJ 0-120 sec
 - 3A TIME DELAY EMERGENCY TO NORMAL ADJ 0-1800 sec
 - 4A TIME DELAY ENGINE COOL-OFF ADJ 0-1800 sec
 - 5H EMERGENCY (S2) SENSING PHASE REVERSAL
 - 5J EMERGENCY (S2) SENSING ALL PHASE UNDERVOLTAGE/UNDER FREQ
 - 5K EMERGENCY (S2) SENSING ALL PHASE OVERVOLTAGE/OVER FREQ
 - 5L EMERGENCY (S2) SENSING ALL PHASE VOLTAGE UNBALANCE
 - 6B ENGINE TEST PUSHBUTTON
 - 7A TIME DELAY ENGINE FAIL ADJ 0-6 sec
 - 8C TIME DELAY BYPASS EMERGENCY TO NORMAL
 - 8D TIME DELAY BYPASS NORMAL TO EMERGENCY
 - 12C LED INDICATION NORMAL (S1) CONNECTED
 - 12D LED INDICATION EMERGENCY (S2) CONNECTED
 - 12G LED INDICATION NORMAL (S1) AVAILABLE
 - 12H LED INDICATION EMERGENCY (S2) AVAILABLE
 - 14G AUX RELAY CONTACTS NORMAL (S1) AVAILABLE 2 FORM C
 - 14H AUX RELAY CONTACTS EMERGENCY (S2) AVAILABLE 2 FORM C
 - 15E POSITION INDICATION CONTACT NORMAL (S1) AVAILABLE 1 FORM C
 - 15F POSITION INDICATION CONTACT EMERGENCY (S2) AVAILABLE 1 FORM C
 - 23K PLANT EXERCISER 7/14/28 DAY LOAD/NO LOAD 0-600 min
 - 26D GO TO EMERGENCY (S2) INPUT
 - 26H NORMAL (S1) SENSING PHASE REVERSAL
 - 26J NORMAL (S1) SENSING ALL PHASE UNDERVOLTAGE/UNDER FREQ
 - 26K NORMAL (S1) SENSING ALL PHASE OVERVOLTAGE/OVER FREQ
 - 26L NORMAL (S1) SENSING ALL PHASE VOLTAGE UNBALANCE
 - 29D DUAL ATS
 - 32A TIME DELAY NEUTRAL ADJUSTABLE 0 - 120 sec
 - 35A PRETRANSFER SIGNAL CONTACTS 1 FORM C
 - 36 LOAD SHED FROM EMERGENCY (S2) INHIBIT
 - 42 IBC/CBC SEISMIC QUALIFIED
 - 49C MULTI-TAP VOLTAGE TRANSFORMER
 - 59A SILVER PLATED BUS
 - 61B 120VAC UPS TERMINAL BLOCK INPUT
 - 80A EMERGENCY (S2) INHIBIT CONTACT

REQUIRED FOR SEISMIC, RECOMMENDED FOR ALL APPLICATIONS:
 USE 4, 1/2-13 UNC GRADE 5 OR BETTER HEX HEAD BOLTS AND WASHERS.
 THESE BOLTS ARE TO BE TORQUED TO 50 FT. LBS. (68 NM).

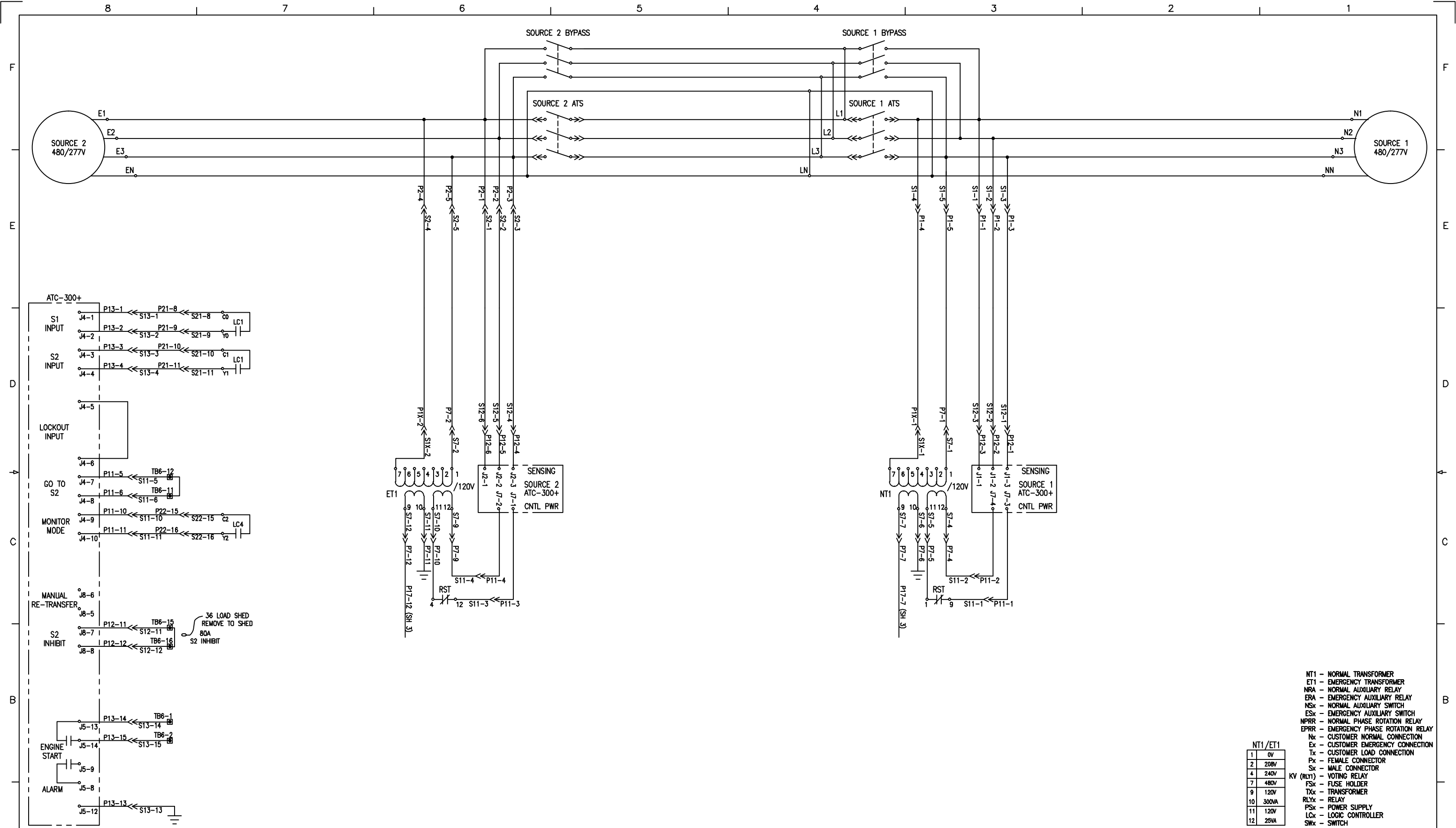
- NOTES:
- 1 APPROXIMATE SHIPPING WEIGHT = 625 LBS [284 KG]
 - 2 DIMENSIONS SHOWN IN INCHES [MILLIMETERS] SCALE: 1 = 1.5



1	REVISION
---	----------

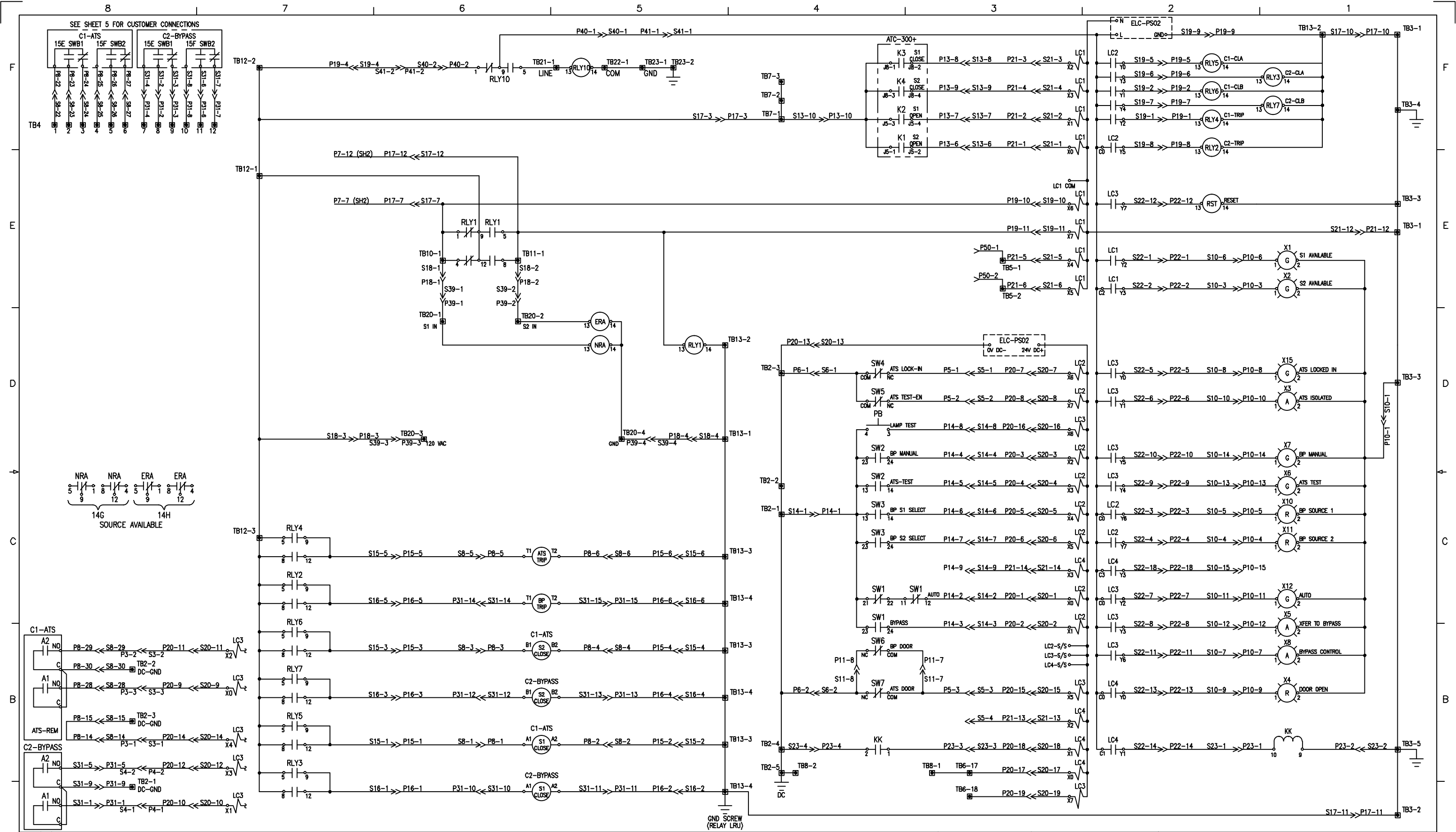
DFTR BARRY GRAVES		DATE 1/24/2013	THE INFORMATION ON THIS DOCUMENT WAS CREATED BY EATON CORPORATION. IT WAS DISCLOSED IN CONFIDENCE AND IS ONLY TO BE USED FOR THE PURPOSE IN WHICH IT WAS SUPPLIED.	
APPD		DATE	TITLE BYPASS ISOLATION OPEN TRANSFER CONTACTOR SWITCH 480V 3 POSITION 100-400 AMP ATC-300+ CONTROLLER	
FEDERAL ID NO. 88725	S.O. T7530124K302	DESIGNATION ATC300+ BYP F	TYPE BIC3C3X30400XSU	FIXED MOUNT
PRODUCT CODE AT	REVISION 1	DESIGNATION ATC300+ BYP F	G.O. -16A	DWG ATC300+ BYP F 01
			SHEET 1 OF 7	OUTLINE

8 7 6 5 4 3 2 1

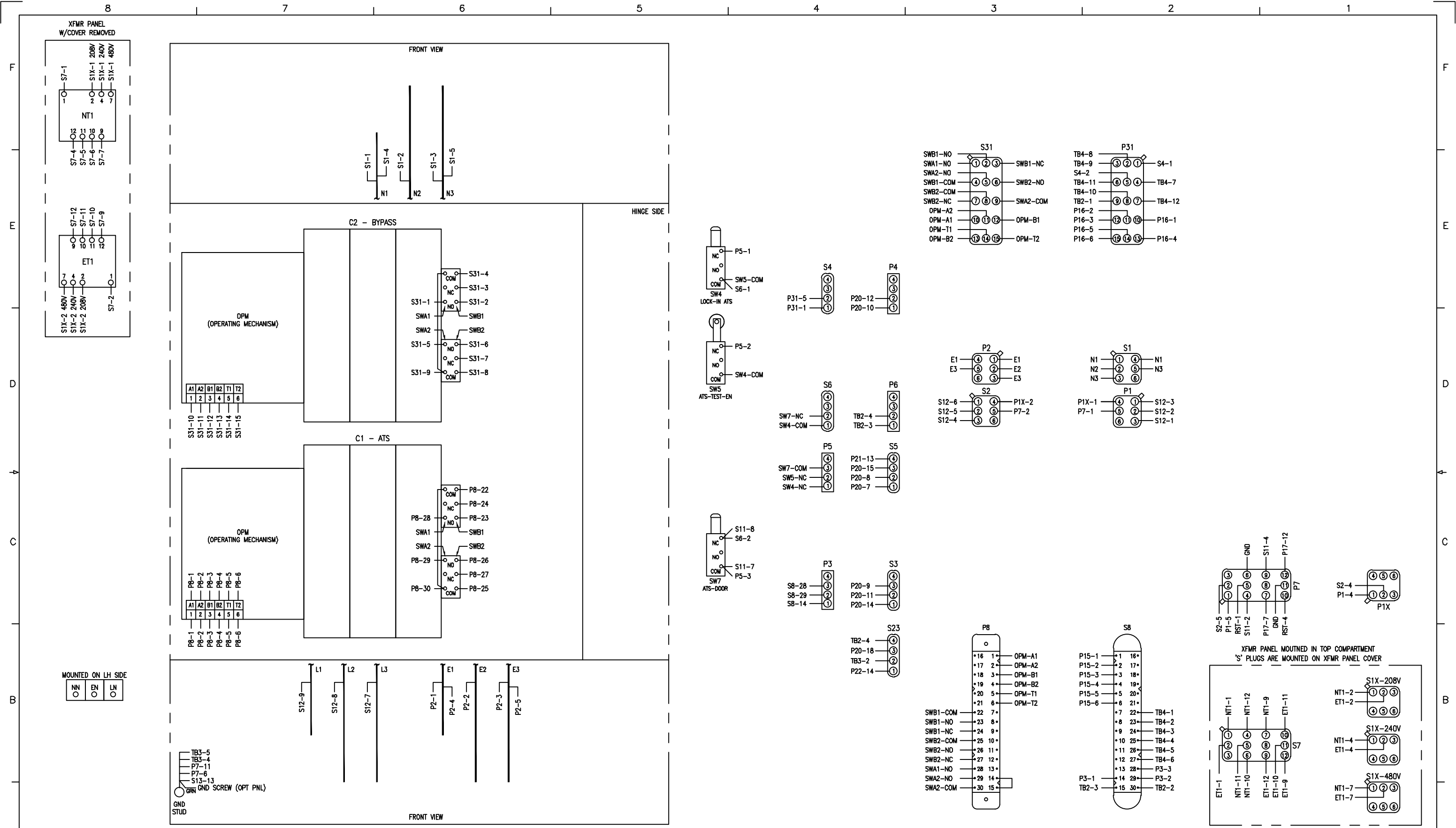


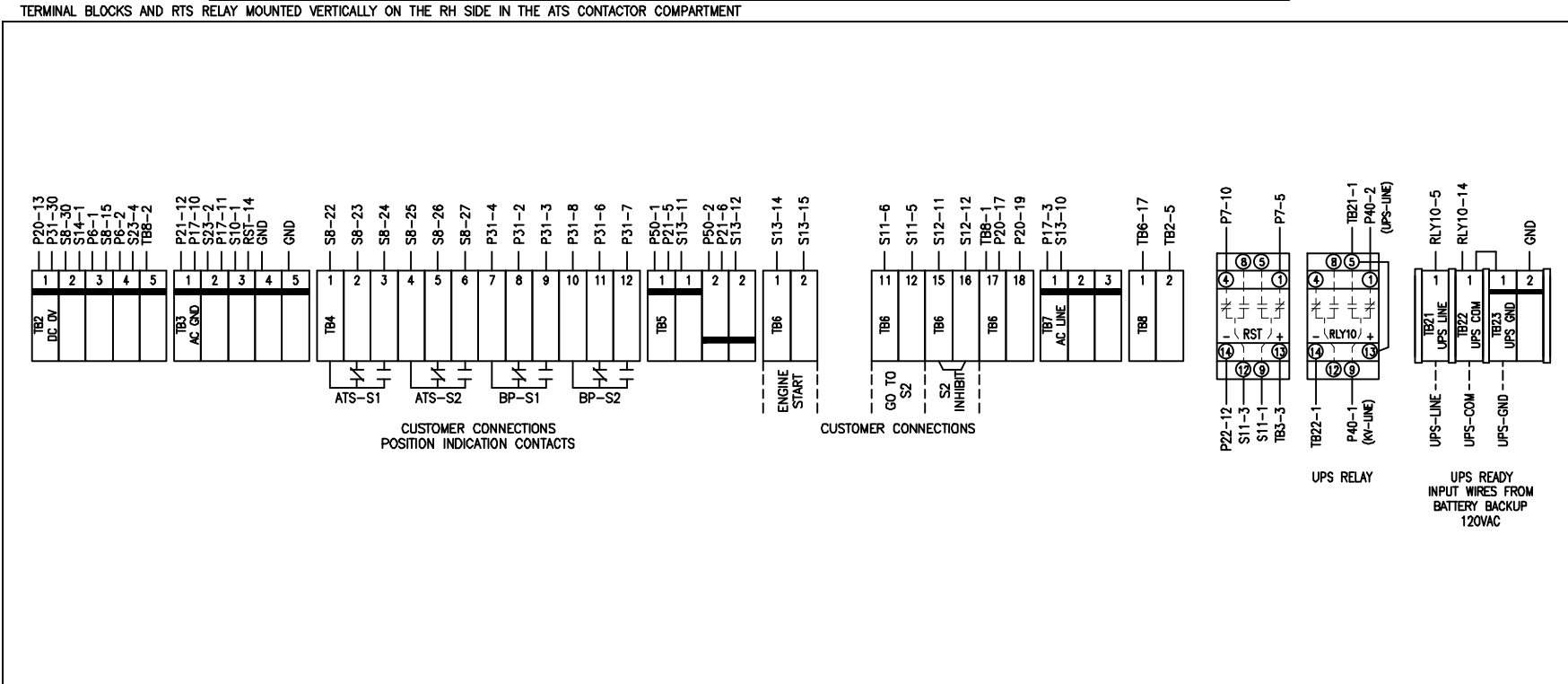
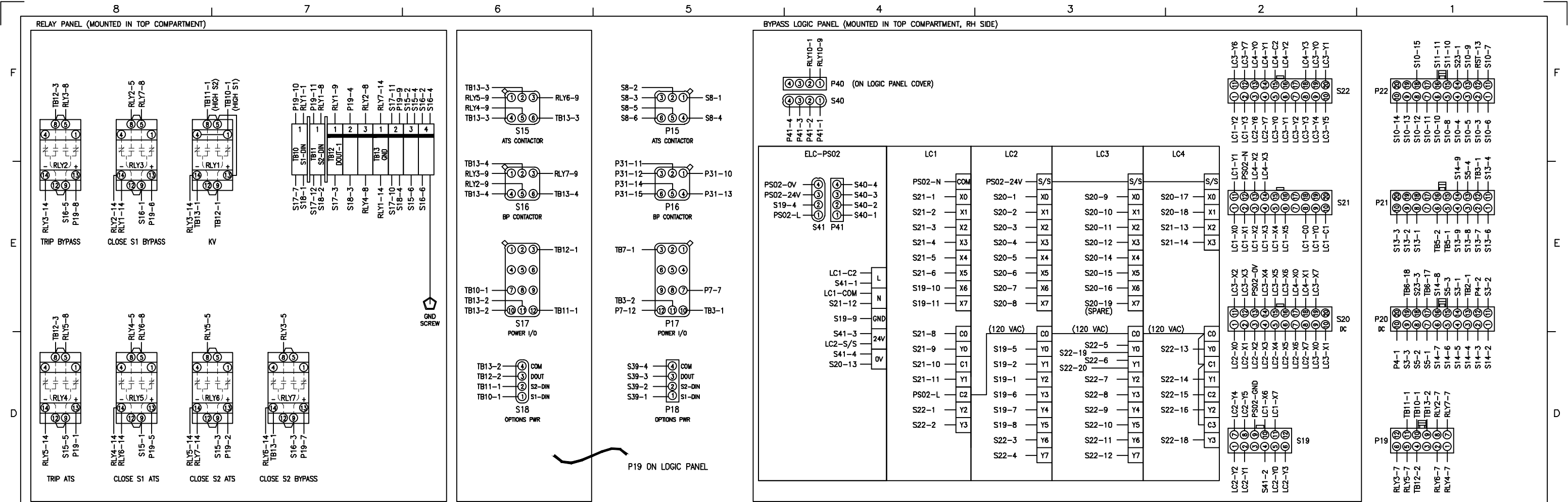
- NT1 - NORMAL TRANSFORMER
 - ET1 - EMERGENCY TRANSFORMER
 - NRA - NORMAL AUXILIARY RELAY
 - ERA - EMERGENCY AUXILIARY RELAY
 - NSx - NORMAL AUXILIARY SWITCH
 - ESx - EMERGENCY AUXILIARY SWITCH
 - NPRR - NORMAL PHASE ROTATION RELAY
 - EPRR - EMERGENCY PHASE ROTATION RELAY
 - Nx - CUSTOMER NORMAL CONNECTION
 - Ex - CUSTOMER EMERGENCY CONNECTION
 - Tx - CUSTOMER LOAD CONNECTION
 - Px - FEMALE CONNECTOR
 - Sx - MALE CONNECTOR
 - KV (RLY1) - VOTING RELAY
 - FSx - FUSE HOLDER
 - TXx - TRANSFORMER
 - RLYx - RELAY
 - PSx - POWER SUPPLY
 - LCx - LOGIC CONTROLLER
 - SWx - SWITCH
- | NT1/ET1 | |
|---------|-------|
| 1 | 0V |
| 2 | 208V |
| 4 | 240V |
| 7 | 480V |
| 9 | 120V |
| 10 | 300VA |
| 11 | 120V |
| 12 | 25VA |

1	REVISION		DFTR BARRY GRAVES	DATE 1/24/2013	THE INFORMATION ON THIS DOCUMENT WAS CREATED BY EATON CORPORATION. IT WAS DISCLOSED IN CONFIDENCE AND IS ONLY TO BE USED FOR THE PURPOSE IN WHICH IT WAS SUPPLIED.			
			APPD	DATE	TITLE BYPASS ISOLATION OPEN TRANSFER CONTACTOR SWITCH 480V 3 POSITION 100-400 AMP ATC-300+ CONTROLLER			
		FEDERAL ID NO. 88725	S.O.	T7530124K302	TYPE BIC3C3X30400XSU	FIXED MOUNT		SCHEMATIC
		PRODUCT CODE AT	REVISION 1	DESIGNATION ATC300+ BYP F	G.O. -16A	DWG ATC300+ BYP F S1		SHEET 2 OF 7

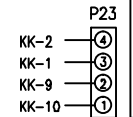
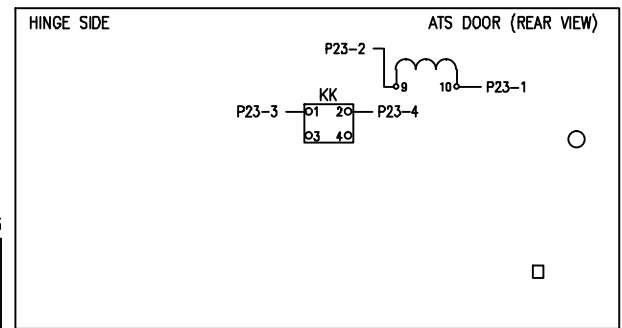
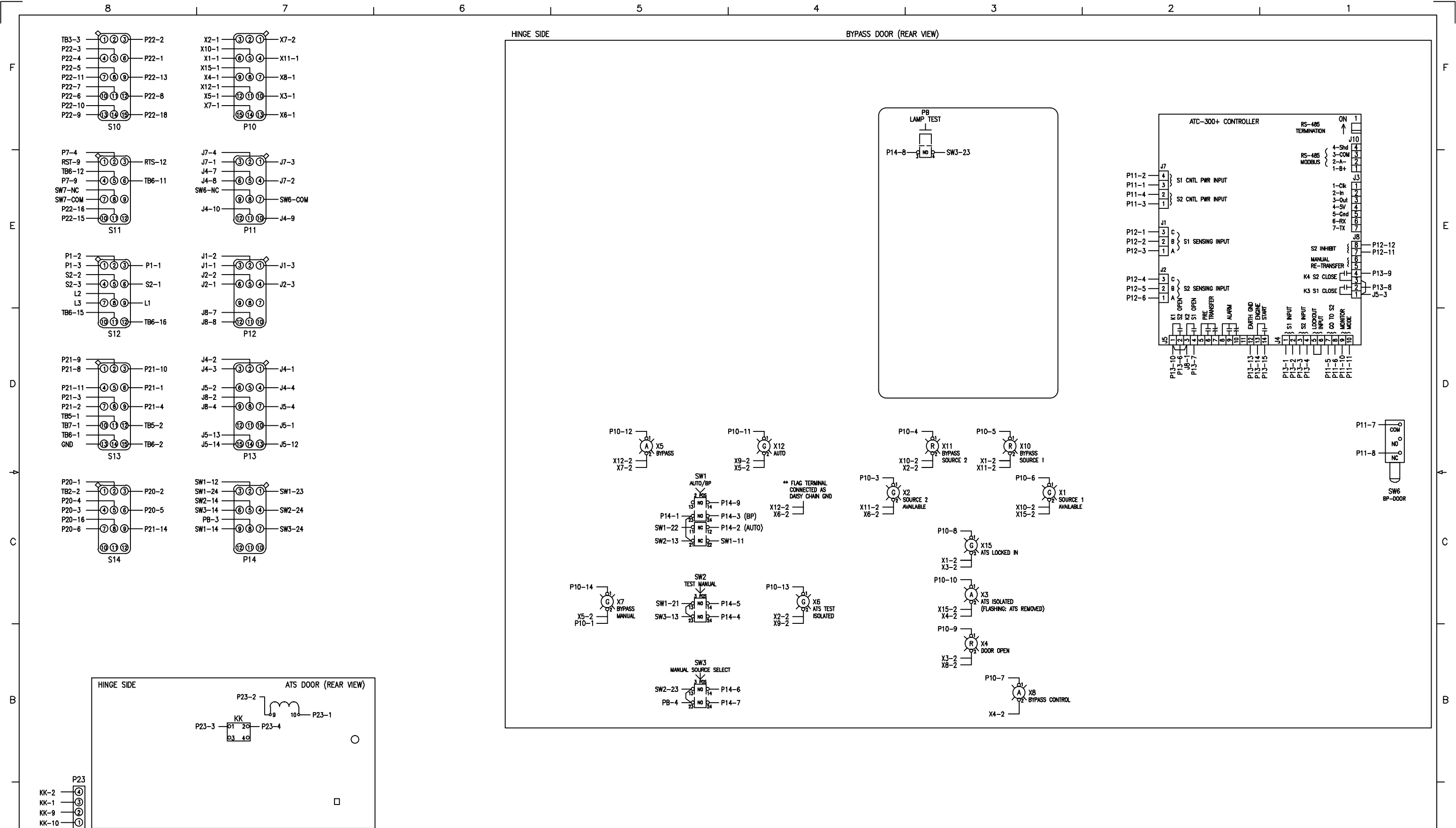


REVISION	DATE		THE INFORMATION ON THIS DOCUMENT WAS CREATED BY EATON CORPORATION. IT WAS DISCLOSED IN CONFIDENCE AND IS ONLY TO BE USED FOR THE PURPOSE IN WHICH IT WAS SUPPLIED.	
	DATE		TITLE	
	S.O.		TYPE	
	DESIGNATION		G.O.	
FEDERAL ID NO.	REVISION	DATE	DWG	SHEET
BB725	1	1/24/2013	ATC300+ BYP F S2	3 OF 7
PRODUCT CODE	DESIGNATION	G.O.	SCHEMATIC	
AT	ATC300+ BYP F	-16A		

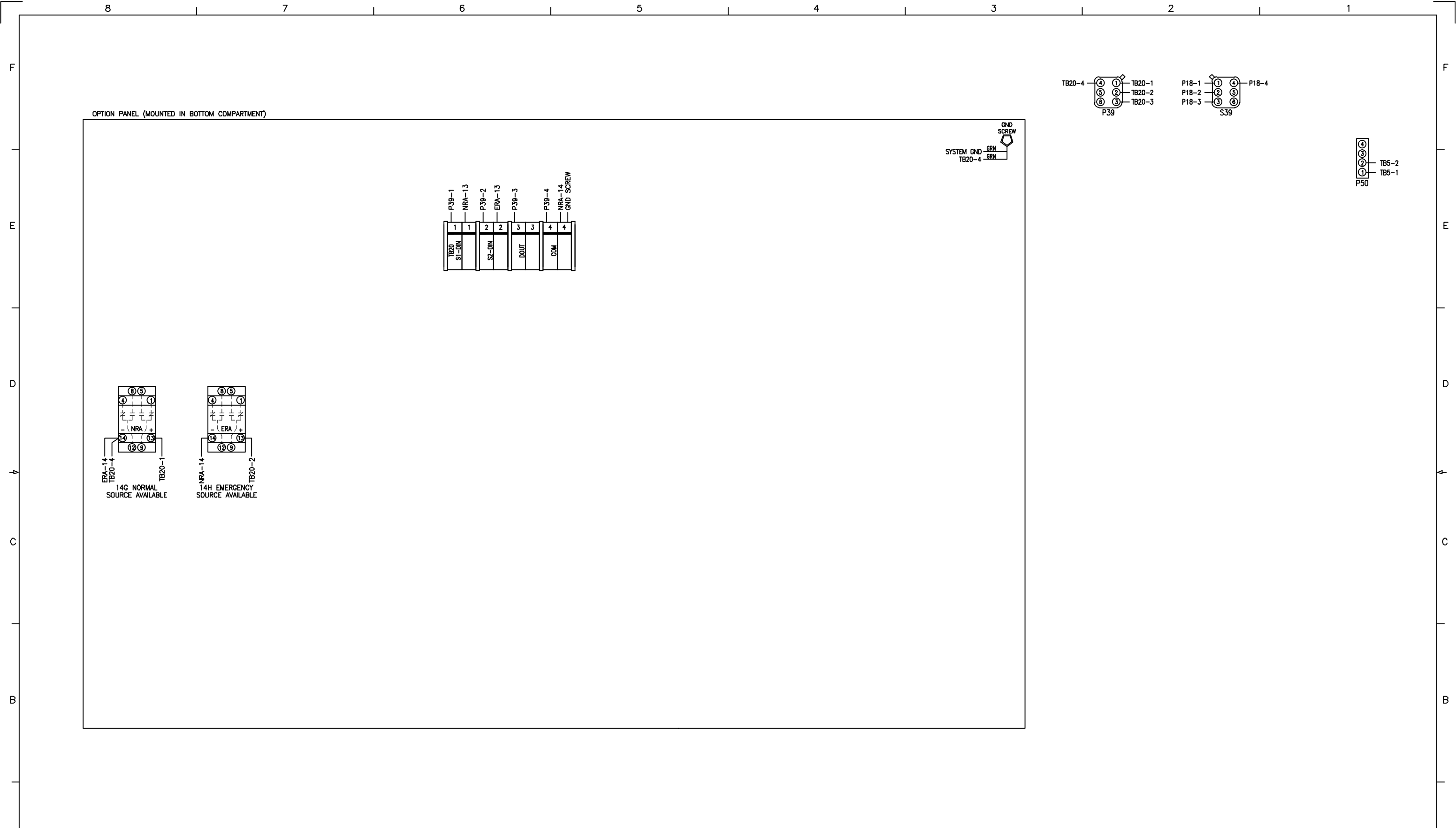




1	REVISION	DATE	1/24/2013	THE INFORMATION ON THIS DOCUMENT WAS CREATED BY EATON CORPORATION. IT WAS DISCLOSED IN CONFIDENCE AND IS ONLY TO BE USED FOR THE PURPOSE IN WHICH IT WAS SUPPLIED.			
		DFTR	BARRY GRAVES	TITLE	BYPASS ISOLATION OPEN TRANSFER CONTACTOR SWITCH		
		APPD		DATE		TYPE	BIC3C3X30400XSU
		FEDERAL ID NO.	88725	S.O.	T7530124K302	FIXED MOUNT	DIAGRAM
PRODUCT CODE	AT	REVISION	1	DESIGNATION	ATC300+ BYP F		
		G.O.	-16A	DWG	ATC300+ BYP F W2		
					SHEET 5 OF 7		



1	REVISION	DFTR BARRY GRAVES		DATE 1/24/2013	THE INFORMATION ON THIS DOCUMENT WAS CREATED BY EATON CORPORATION. IT WAS DISCLOSED IN CONFIDENCE AND IS ONLY TO BE USED FOR THE PURPOSE IN WHICH IT WAS SUPPLIED.			
		FEDERAL ID NO. 88725		S.O.	T7530124K302	TITLE BYPASS ISOLATION OPEN TRANSFER CONTACTOR SWITCH 480V 3 POSITION 100-400 AMP ATC-300+ CONTROLLER		
		PRODUCT CODE AT		REVISION 1	DESIGNATION ATC300+ BYP F	G.O. -16A	DWG ATC300+ BYP F W3	SHEET 6 OF 7



REVISION	1	DFTR BARRY GRAVES		DATE 1/24/2013	THE INFORMATION ON THIS DOCUMENT WAS CREATED BY EATON CORPORATION. IT WAS DISCLOSED IN CONFIDENCE AND IS ONLY TO BE USED FOR THE PURPOSE IN WHICH IT WAS SUPPLIED.				
		APPD		DATE	TITLE BYPASS ISOLATION OPEN TRANSFER CONTACTOR SWITCH 480V 3 POSITION 100-400 AMP ATC-300+ CONTROLLER				
		FEDERAL ID NO. 88725	S.O.		T7530124K302	TYPE BIC3C3X30400XSU	FIXED MOUNT		DIAGRAM
		PRODUCT CODE AT	REVISION 1	DESIGNATION ATC300+ BYP F		G.O. -16A	DWG ATC300+ BYP F W4		SHEET 7 OF 7