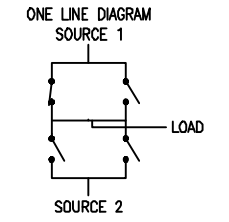


**BIC3C3E30400XSU**  
 BYPASS ISOLATION OPEN TRANSFER CONTACTOR SWITCH  
 ATC-300+ CONTROL, 3 POSITION CONTACTOR  
 DRAWOUT  
 3 POLE, 400 AMPS  
 480/277V 60HZ, 3 PHASE, 4 WIRE  
 TYPE-1 ENCLOSURE, UL 1008 LISTED

- FEATURES INCLUDED:
- 1A TIME DELAY NORMAL TO EMERGENCY ADJ 0-1800 sec
  - 2A TIME DELAY ENGINE START ADJ 0-120 sec
  - 3A TIME DELAY EMERGENCY TO NORMAL ADJ 0-1800 sec
  - 4A TIME DELAY ENGINE COOL-OFF ADJ 0-1800 sec
  - 5H EMERGENCY (S2) SENSING PHASE REVERSAL
  - 5J EMERGENCY (S2) SENSING ALL PHASE UNDERVOLTAGE/UNDER FREQ
  - 5K EMERGENCY (S2) SENSING ALL PHASE OVERVOLTAGE/OVER FREQ
  - 5L EMERGENCY (S2) SENSING ALL PHASE VOLTAGE UNBALANCE
  - 6B ENGINE TEST PUSHBUTTON
  - 7A TIME DELAY ENGINE FAIL ADJ 0-6 sec
  - 8C TIME DELAY BYPASS EMERGENCY TO NORMAL
  - 8D TIME DELAY BYPASS NORMAL TO EMERGENCY
  - 12C LED INDICATION NORMAL (S1) CONNECTED
  - 12D LED INDICATION EMERGENCY (S2) CONNECTED
  - 12G LED INDICATION NORMAL (S1) AVAILABLE
  - 12H LED INDICATION EMERGENCY (S2) AVAILABLE
  - 14G AUX RELAY CONTACTS NORMAL (S1) AVAILABLE 2 FORM C
  - 14H AUX RELAY CONTACTS EMERGENCY (S2) AVAILABLE 2 FORM C
  - 15E POSITION INDICATION CONTACT NORMAL (S1) AVAILABLE 1 FORM C
  - 15F POSITION INDICATION CONTACT EMERGENCY (S2) AVAILABLE 1 FORM C
  - 23K PLANT EXERCISER 7/14/28 DAY LOAD/NO LOAD 0-600 min
  - 26D GO TO EMERGENCY (S2) INPUT
  - 26H NORMAL (S1) SENSING PHASE REVERSAL
  - 26J NORMAL (S1) SENSING ALL PHASE UNDERVOLTAGE/UNDER FREQ
  - 26K NORMAL (S1) SENSING ALL PHASE OVERVOLTAGE/OVER FREQ
  - 26L NORMAL (S1) SENSING ALL PHASE VOLTAGE UNBALANCE
  - 29D DUAL ATS
  - 32A TIME DELAY NEUTRAL ADJUSTABLE 0 - 120 sec
  - 35A PRETRANSFER SIGNAL CONTACTS 1 FORM C
  - 36 LOAD SHED FROM EMERGENCY (S2) INHIBIT
  - 42 IBC/CBC SEISMIC QUALIFIED
  - 49C MULTI-TAP VOLTAGE TRANSFORMER
  - 59A SILVER PLATED BUS
  - 61B 120VAC UPS TERMINAL BLOCK INPUT
  - 80A EMERGENCY (S2) INHIBIT CONTACT

REQUIRED FOR SEISMIC, RECOMMENDED FOR ALL APPLICATIONS:  
 USE 4, 1/2-13 UNC GRADE 5 OR BETTER HEX HEAD BOLTS AND WASHERS.  
 THESE BOLTS ARE TO BE TORQUED TO 50 FT. LBS. (68 NM).

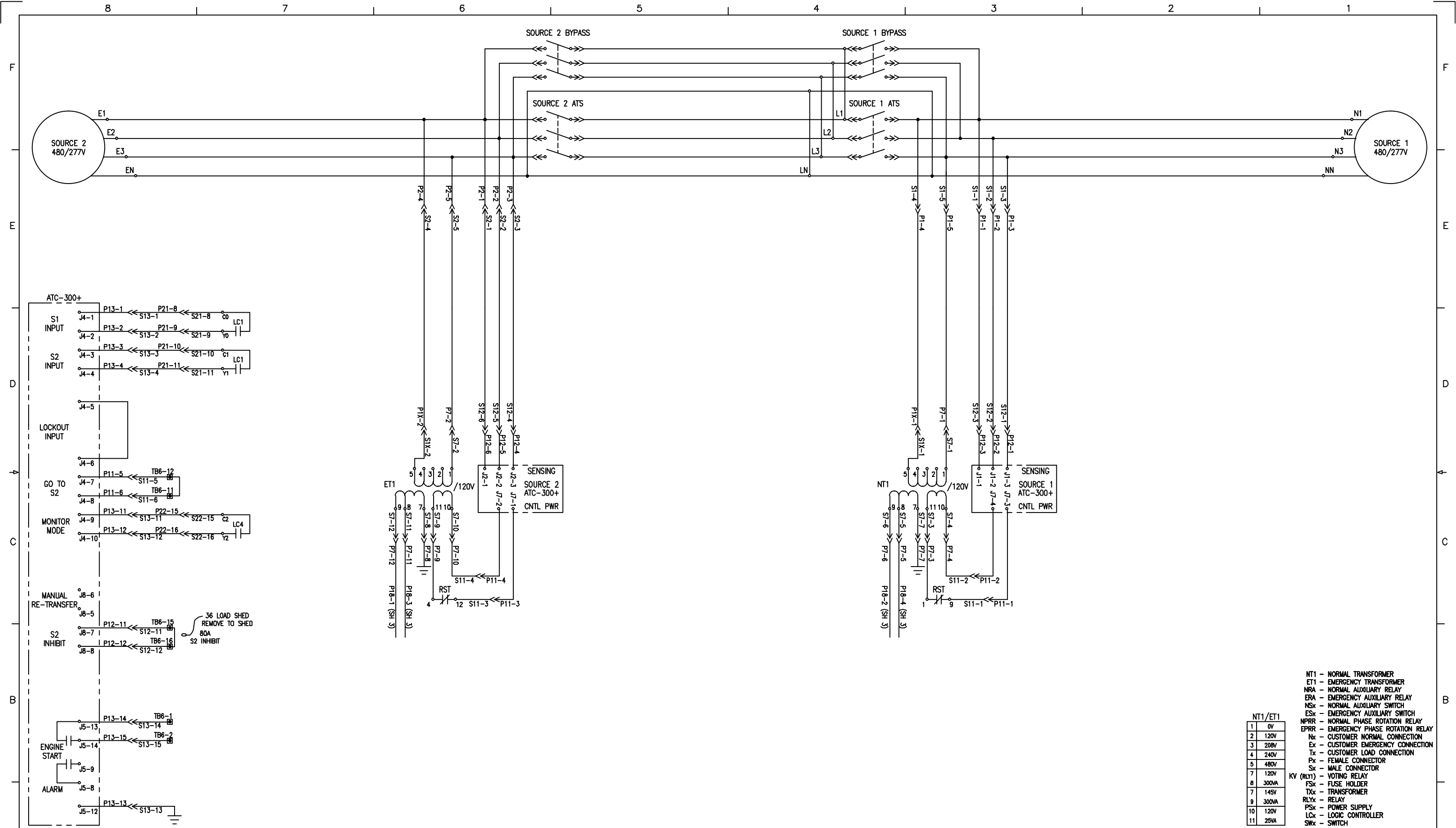
- NOTES:  
 1 APPROXIMATE SHIPPING WEIGHT = 1750 LBS [839 KG]  
 2 DIMENSIONS SHOWN IN INCHES [MILLIMETERS] SCALE: 1 = 1.4



CC CENTER OF GRAVITY

REVISION	1	

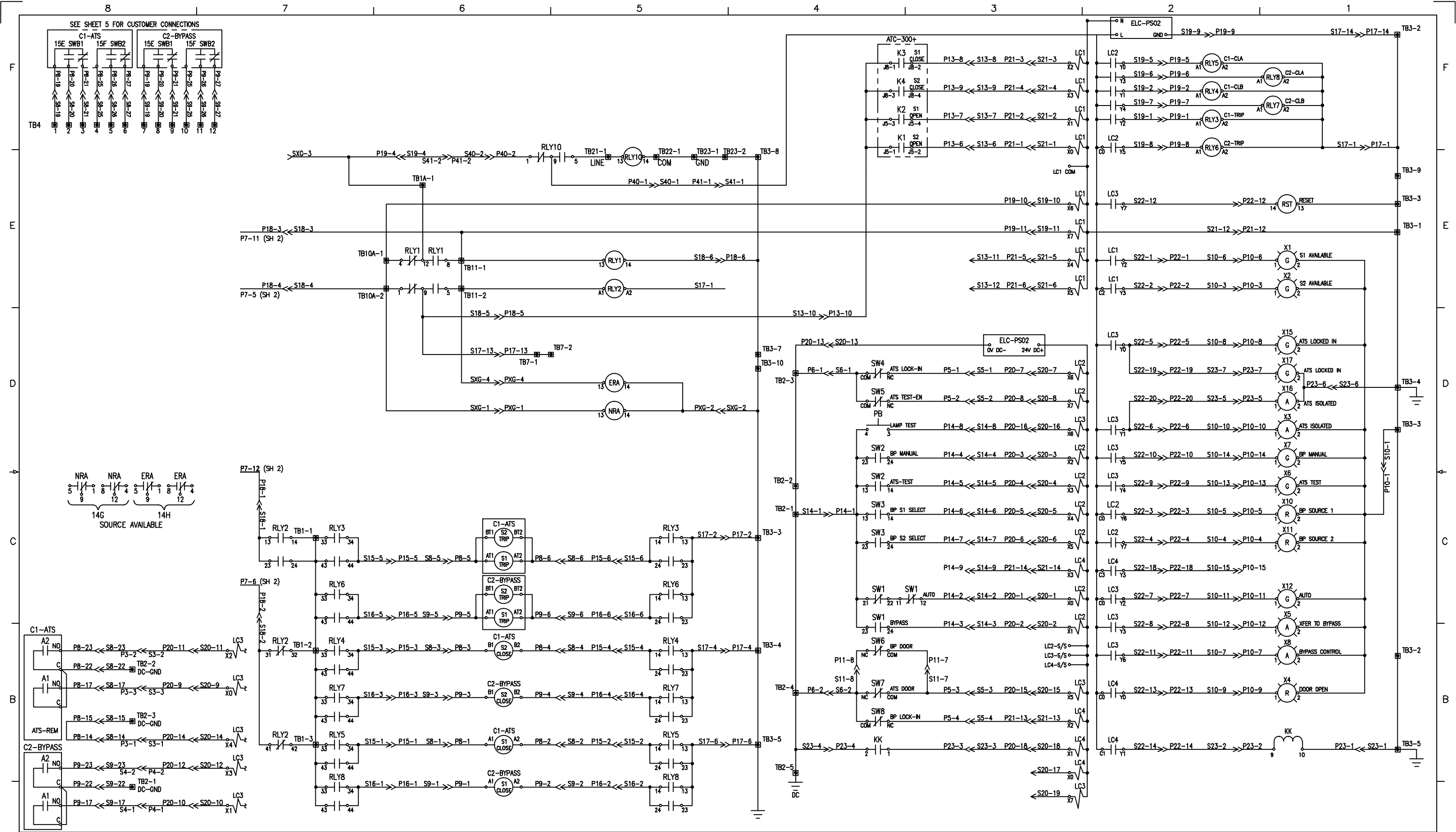
DFTR BARRY GRAVES		DATE 1/24/2013	THE INFORMATION ON THIS DOCUMENT WAS CREATED BY EATON CORPORATION. IT WAS DISCLOSED IN CONFIDENCE AND IS ONLY TO BE USED FOR THE PURPOSE IN WHICH IT WAS SUPPLIED.	
APPD		DATE	TITLE BYPASS ISOLATION OPEN TRANSFER   CONTACTOR SWITCH 480V 3 POSITION   100-1200 AMP   ATC-300+ CONTROLLER	
FEDERAL ID NO. 88725	S.O. T7530124K302		TYPE BIC3C3E30400XSU	DRAWOUT
PRODUCT CODE AT	REVISION 1	DESIGNATION ATC300+ BYP D	G.O. -18A	DWG ATC300+ BYP D 01
				SHEET 1 OF 7



NT1/ET1	
1	0V
2	120V
3	208V
4	240V
5	480V
7	120V
8	300VA
9	300VA
10	120V
11	25VA

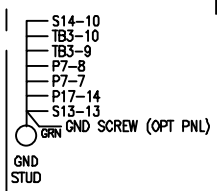
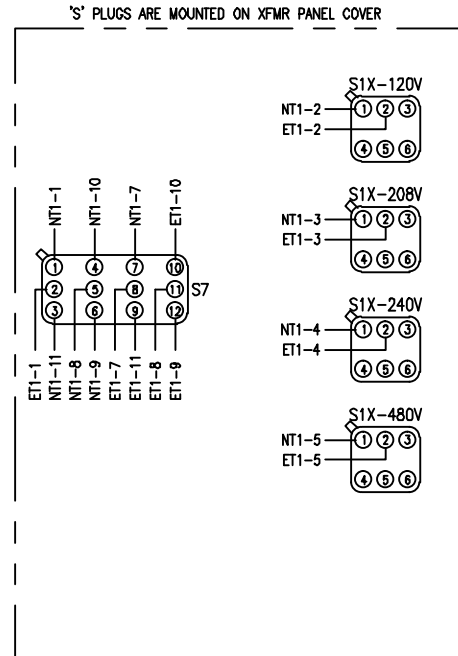
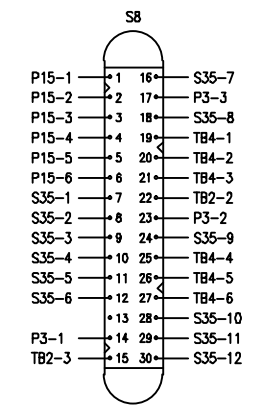
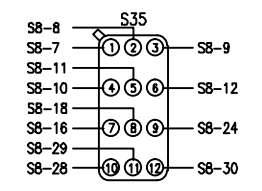
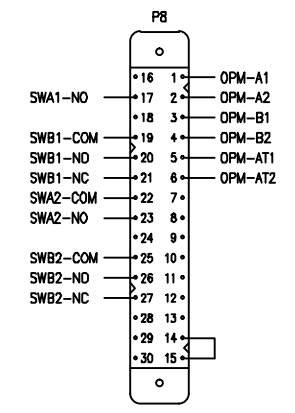
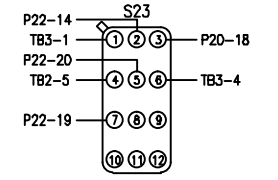
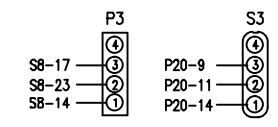
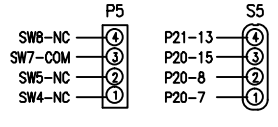
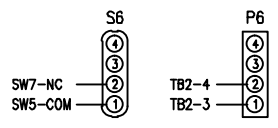
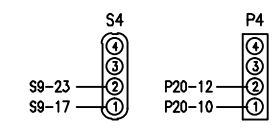
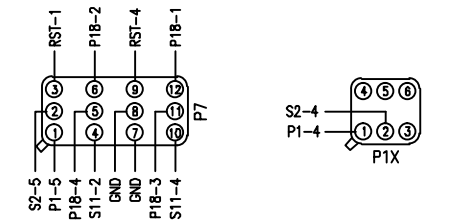
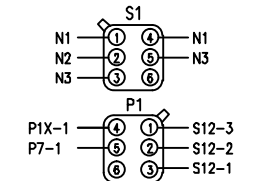
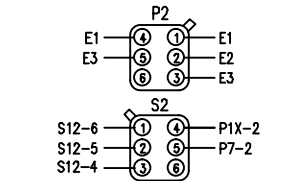
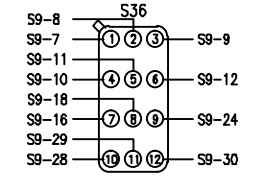
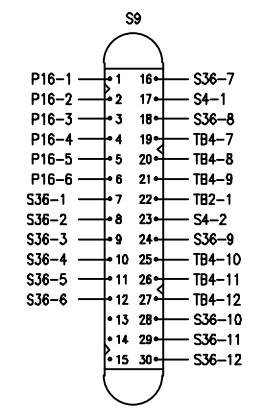
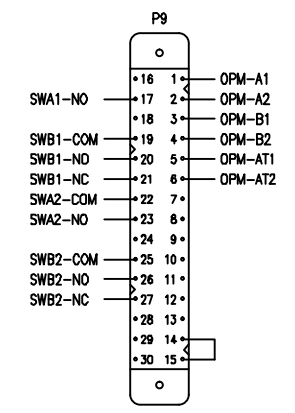
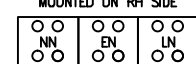
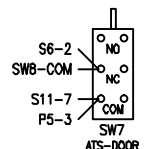
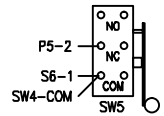
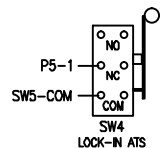
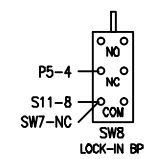
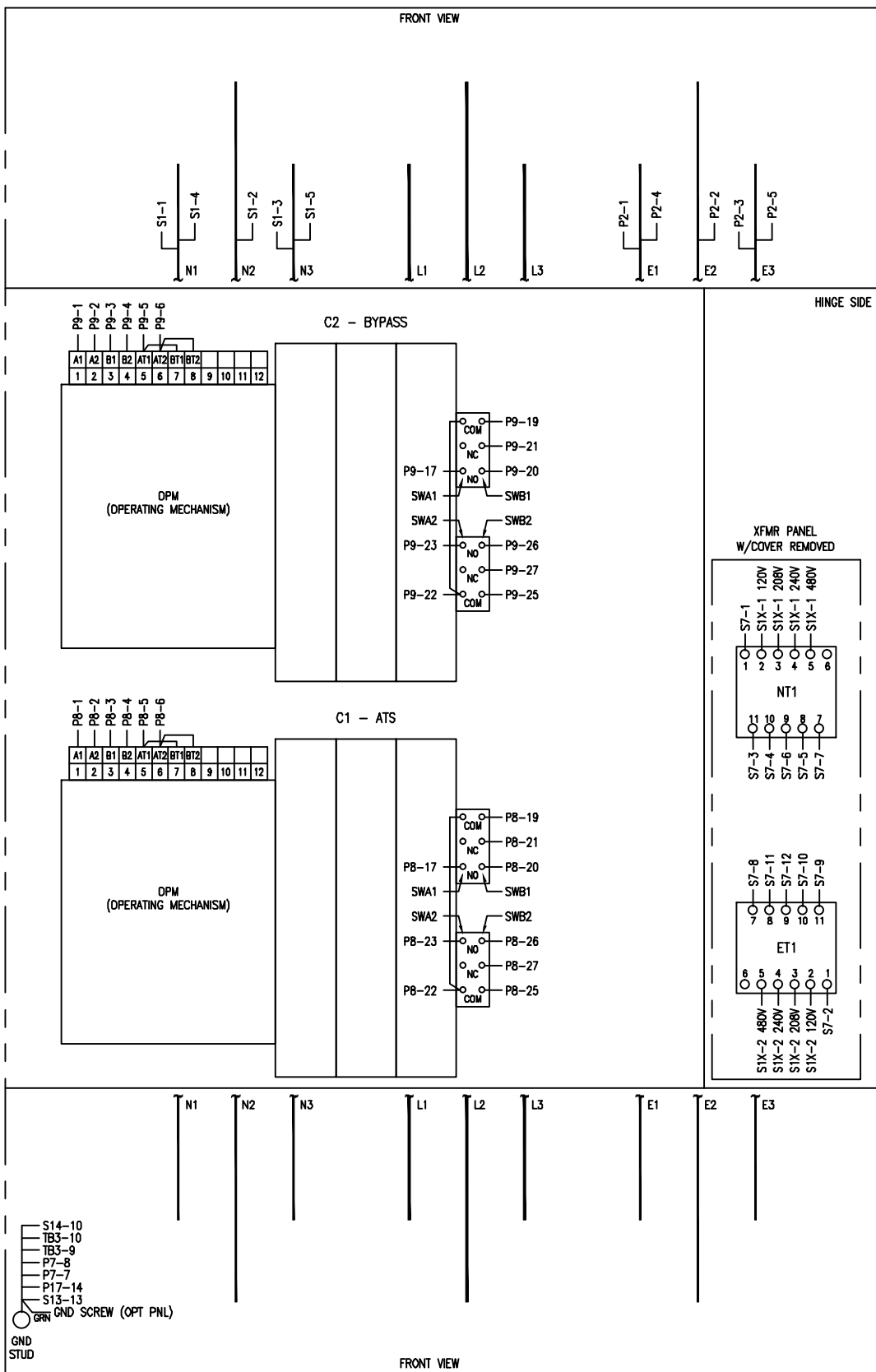
- NT1 - NORMAL TRANSFORMER
- ET1 - EMERGENCY TRANSFORMER
- NRA - NORMAL AUXILIARY RELAY
- ERA - EMERGENCY AUXILIARY RELAY
- NSx - NORMAL AUXILIARY SWITCH
- ESx - EMERGENCY AUXILIARY SWITCH
- EPRR - EMERGENCY PHASE ROTATION RELAY
- NPRR - NORMAL PHASE ROTATION RELAY
- Nx - CUSTOMER NORMAL CONNECTION
- Ex - CUSTOMER EMERGENCY CONNECTION
- Tx - CUSTOMER LOAD CONNECTION
- Px - FEMALE CONNECTOR
- Sx - MALE CONNECTOR
- KV (RLY1) - VOTING RELAY
- FSx - FUSE HOLDER
- TXx - TRANSFORMER
- RLYx - RELAY
- PSx - POWER SUPPLY
- LCx - LOGIC CONTROLLER
- SWx - SWITCH

1 REVISION		DFTR BARRY GRAVES	DATE 1/24/2013	THE INFORMATION ON THIS DOCUMENT WAS CREATED BY EATON CORPORATION. IT WAS DISCLOSED IN CONFIDENCE AND IS ONLY TO BE USED FOR THE PURPOSE IN WHICH IT WAS SUPPLIED.		
		APPD	DATE	<b>TITLE</b> BYPASS ISOLATION OPEN TRANSFER   CONTACTOR SWITCH 480V 3 POSITION   100-1200 AMP   ATC-300+ CONTROLLER		
		FEDERAL ID NO. 88725	S.O. T7530124K302	TYPE BIC3C3E30400XSU	DRAWOUT	SCHEMATIC
		PRODUCT CODE AT	REVISION 1	DESIGNATION ATC300+ BYP D	G.O. -18A	DWG <b>ATC300+ BYP D S1</b>
					SHEET 2 OF 7	



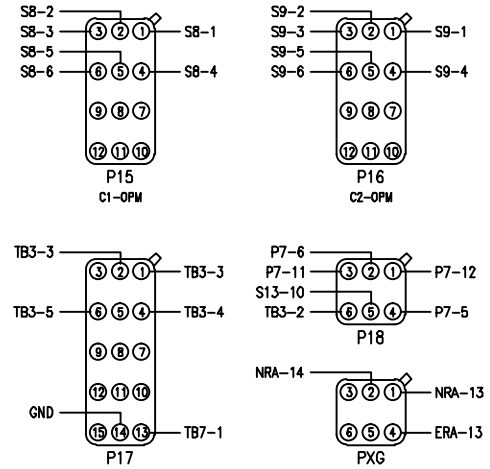
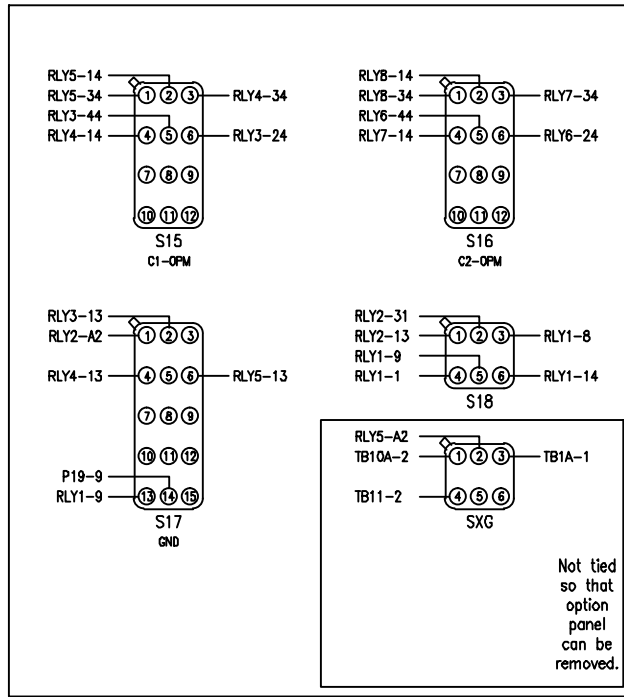
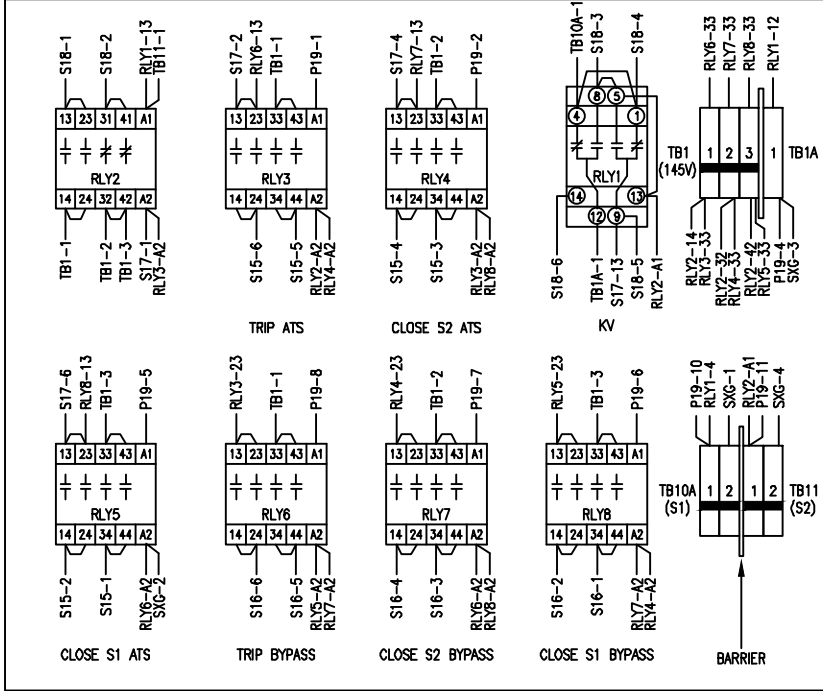
REVISION	DATE	1/24/2013	THE INFORMATION ON THIS DOCUMENT WAS CREATED BY EATON CORPORATION. IT WAS DISCLOSED IN CONFIDENCE AND IS ONLY TO BE USED FOR THE PURPOSE IN WHICH IT WAS SUPPLIED.	
	APPD	DATE	TITLE BYPASS ISOLATION OPEN TRANSFER   CONTACTOR SWITCH 480V 3 POSITION   100-1200 AMP   ATC-300+ CONTROLLER	
	FEDERAL ID NO. 88725	S.O.	T7530124K302	TYPE BIC3C3E30400XSU DRAWOUT SCHEMATIC
	PRODUCT CODE AT	REVISION 1	DESIGNATION ATC300+ BYP D	G.O. -18A DWG ATC300+ BYP D S2 SHEET 3 OF 7

\*\* CUSTOMER CONNECTIONS CAN BE TOP OR BOTTOM ENTRY



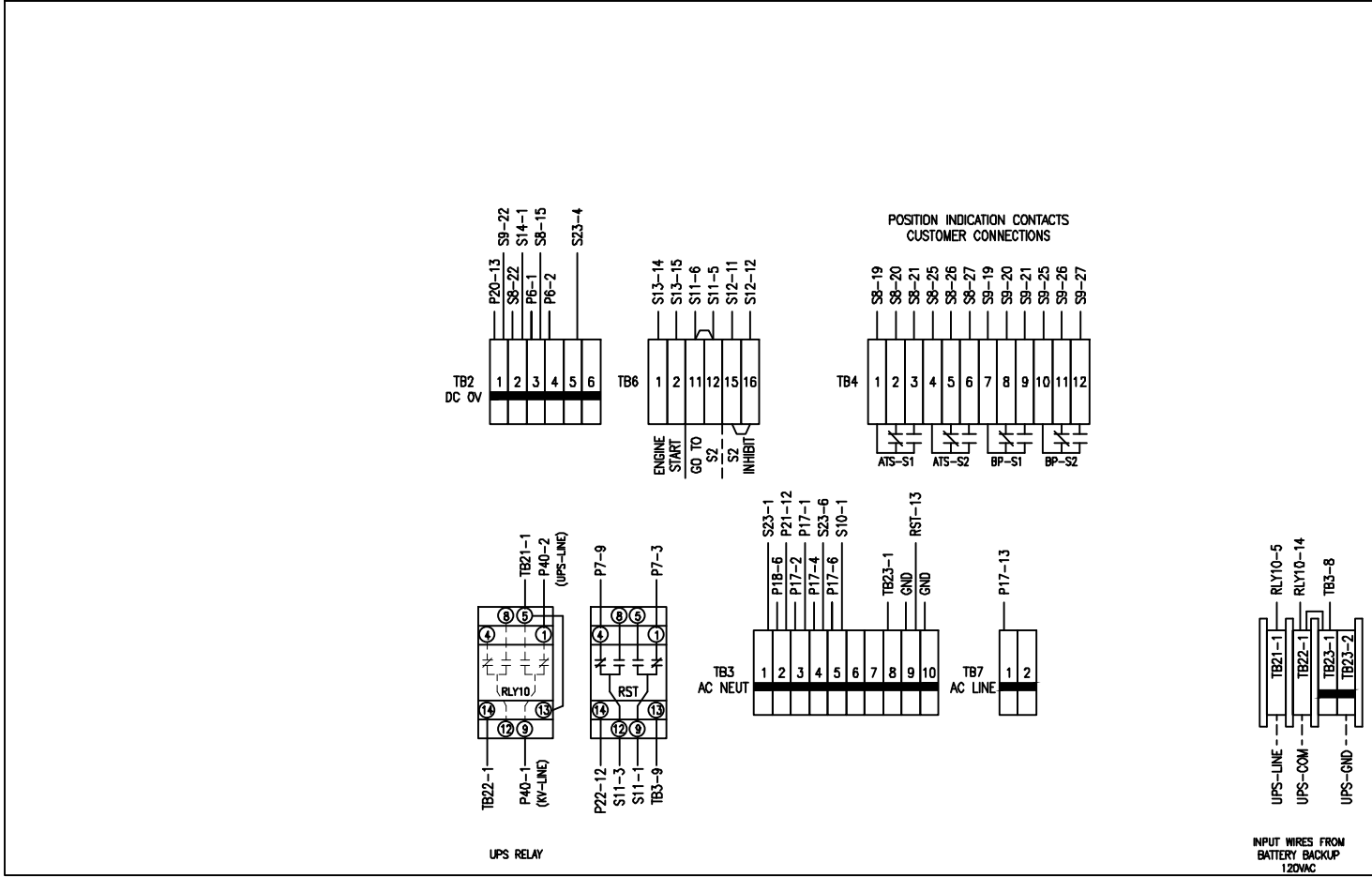
1	REVISION	DFTR	BARRY GRAVES	DATE	1/24/2013	THE INFORMATION ON THIS DOCUMENT WAS CREATED BY EATON CORPORATION. IT WAS DISCLOSED IN CONFIDENCE AND IS ONLY TO BE USED FOR THE PURPOSE IN WHICH IT WAS SUPPLIED.					
		APPD		DATE		TITLE			BYPASS ISOLATION OPEN TRANSFER   CONTACTOR SWITCH		
		FEDERAL ID NO.	88725	S.O.	T7530124K302	TYPE	BIC3C3E30400XSU		DRAWOUT	DIAGRAM	
		PRODUCT CODE	AT	REVISION	1	DESIGNATION	ATC300+ BYP D		G.O.	-18A	DWG

RELAY PANEL (MOUNTED ABOVE XFMR BOX IN CONTACTOR COMPARTMENT)

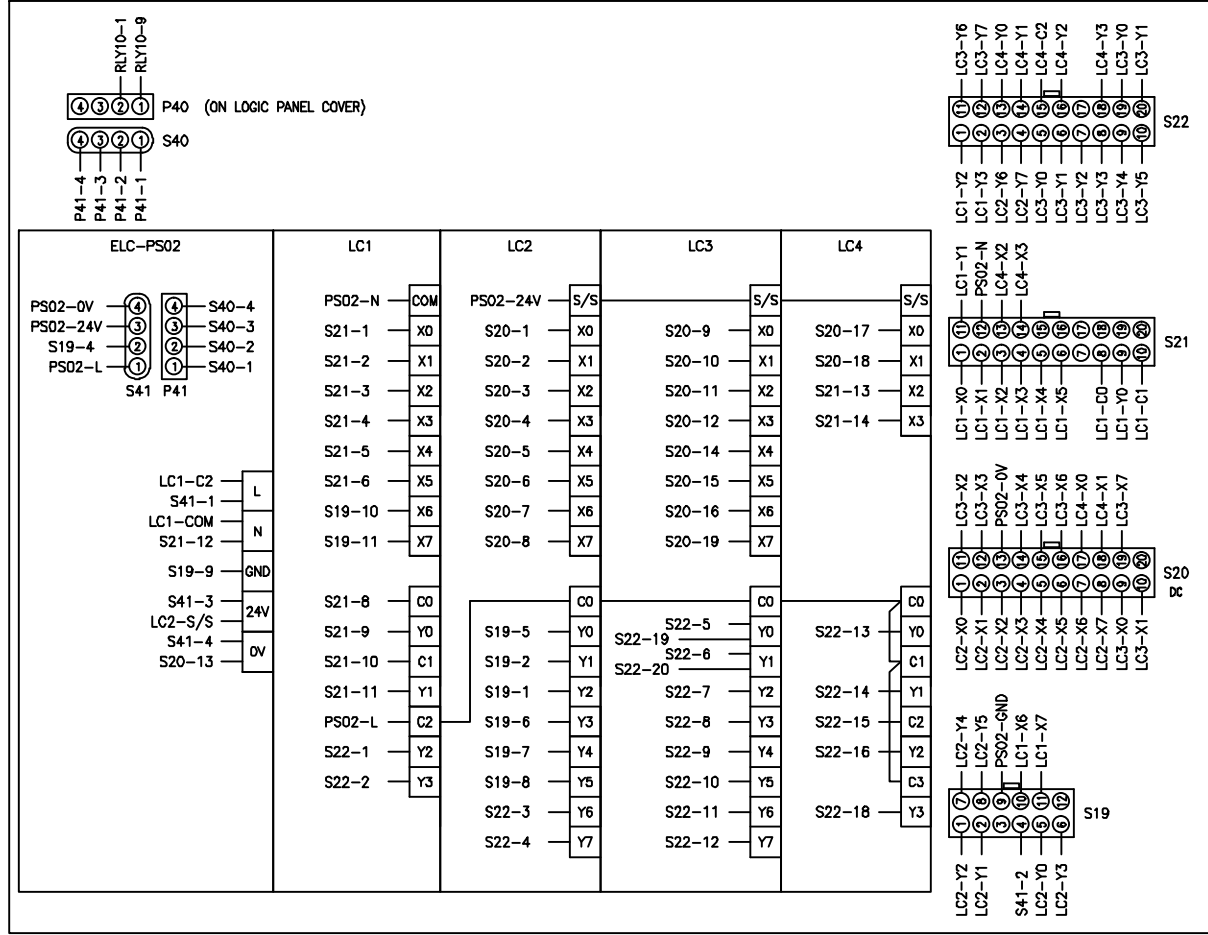


Not tied so that option panel can be removed.

CUSTOMER TERMINAL BLOCK CONNECTIONS (MOUNTED IN CONTACTOR COMPARTMENT)



BYPASS LOGIC PANEL (MOUNTED BEHIND XFMR BOX IN CONTACTOR COMPARTMENT)



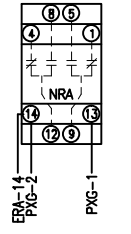
1	REVISION	DFTR BARRY GRAVES	DATE 1/24/2013	THE INFORMATION ON THIS DOCUMENT WAS CREATED BY EATON CORPORATION. IT WAS DISCLOSED IN CONFIDENCE AND IS ONLY TO BE USED FOR THE PURPOSE IN WHICH IT WAS SUPPLIED.	
		APPD	DATE	TITLE BYPASS ISOLATION OPEN TRANSFER   CONTACTOR SWITCH 480V 3 POSITION   100-1200 AMP   ATC-300+ CONTROLLER	
	FEDERAL ID NO. 88725	S.O.	T7530124K302	TYPE BIC3C3E30400XSU	DRAWOUT DIAGRAM
	PRODUCT CODE AT	REVISION 1	DESIGNATION ATC300+ BYP D	G.O. -18A	DWG ATC300+ BYP D W2



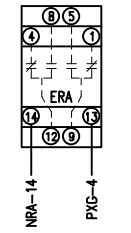
8 7 6 5 4 3 2 1

F F

OPTIONS (MOUNTED IN CONTACTOR COMPARTMENT - RH SIDE ON THE LEFT)



14G NORMAL SOURCE AVAILABLE



14H EMERGENCY SOURCE AVAILABLE

D D

C C

B B

1
---

REVISION	
----------	--

DFTR BARRY GRAVES		DATE 1/24/2013		THE INFORMATION ON THIS DOCUMENT WAS CREATED BY EATON CORPORATION. IT WAS DISCLOSED IN CONFIDENCE AND IS ONLY TO BE USED FOR THE PURPOSE IN WHICH IT WAS SUPPLIED.						
APPD		DATE		TITLE BYPASS ISOLATION OPEN TRANSFER   CONTACTOR SWITCH 480V 3 POSITION   100-1200 AMP   ATC-300+ CONTROLLER						
FEDERAL ID NO. 88725		S.O. T7530124K302		TYPE BIC3C3E30400XSU		DRAWOUT		DIAGRAM		
PRODUCT CODE AT		REVISION 1		DESIGNATION ATC300+ BYP D		G.O. -18A		DWG ATC300+ BYP D W4		SHEET 7 OF 7

8 7 6 5 4 3 2 1

A A