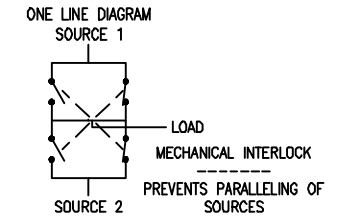


BIC8C3E31200XSU
 BYPASS ISOLATION OPEN TRANSFER CONTACTOR SWITCH
 ATC-800 CONTROL, 3 POSITION CONTACTOR
 DRAWOUT
 3 POLE, 1200 AMPS
 480/277V 60HZ, 3 PHASE, 4 WIRE
 TYPE-1 ENCLOSURE, UL 1008 LISTED

- FEATURES INCLUDED:**
- 1A TIME DELAY NORMAL TO EMERGENCY ADJ 0-1800 sec
 - 2A TIME DELAY ENGINE START ADJ 0-120 sec
 - 3A TIME DELAY EMERGENCY TO NORMAL ADJ 0-1800 sec
 - 4A TIME DELAY ENGINE COOL-OFF ADJ 0-1800 sec
 - 5J EMERGENCY (S2) SENSING ALL PHASE UNDERVOLTAGE/UNDER FREQ
 - 5K EMERGENCY (S2) SENSING ALL PHASE OVERVOLTAGE/OVER FREQ
 - 6B ENGINE TEST PUSHBUTTON
 - 7A TIME DELAY ENGINE FAIL ADJ 0-6 sec
 - 8C TIME DELAY BYPASS EMERGENCY TO NORMAL
 - 8D TIME DELAY BYPASS NORMAL TO EMERGENCY
 - 10B SOURCE SELECTOR-UTILITY TO UTILITY OR UTILITY TO GENERATOR
 - 10D SOURCE SELECTOR-GENERATOR TO GENERATOR
 - 12C LED INDICATION NORMAL (S1) CONNECTED
 - 12D LED INDICATION EMERGENCY (S2) CONNECTED
 - 12G LED INDICATION NORMAL (S1) AVAILABLE
 - 12H LED INDICATION EMERGENCY (S2) AVAILABLE
 - 14E AUX RELAY CONTACTS NORMAL (S1) AVAILABLE 1 FORM C
 - 14F AUX RELAY CONTACTS EMERGENCY (S2) AVAILABLE 1 FORM C
 - 15E POSITION INDICATION CONTACT NORMAL (S1) AVAILABLE 1 FORM C
 - 15F POSITION INDICATION CONTACT EMERGENCY (S2) AVAILABLE 1 FORM C
 - 23J PLANT EXERCISER 7 DAY LOAD/NO LOAD 0-600 min
 - 26D GO TO EMERGENCY (S2) INPUT
 - 26J NORMAL (S1) SENSING ALL PHASE UNDERVOLTAGE/UNDER FREQ
 - 26K NORMAL (S1) SENSING ALL PHASE OVERVOLTAGE/OVER FREQ
 - 29D DUAL ATS
 - 32A TIME DELAY NEUTRAL ADJUSTABLE 0 - 120 sec
 - 36 LOAD SHED FROM EMERGENCY (S2) INHIBIT
 - 42 IBC/CBC SEISMIC QUALIFIED
 - 49C MULTI-TAP VOLTAGE TRANSFORMER
 - 59A SILVER PLATED BUS
 - 80A EMERGENCY (S2) INHIBIT CONTACT

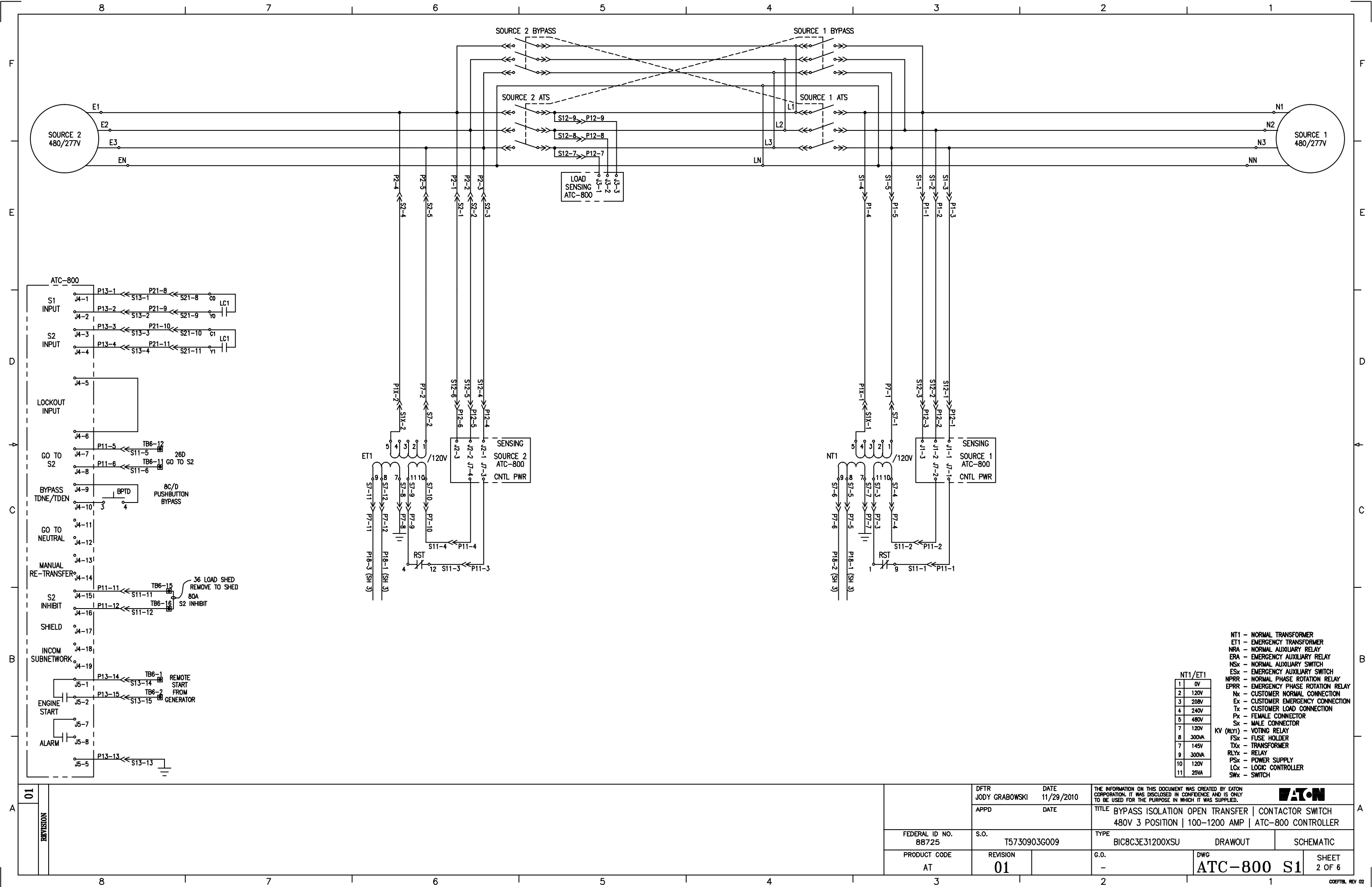
REQUIRED FOR SEISMIC, RECOMMENDED FOR ALL APPLICATIONS:
 USE 8, 1/2-13 UNC GRADE 5 OR BETTER HEX HEAD BOLTS AND WASHERS.
 THESE BOLTS ARE TO BE TORQUED TO 50 FT. LBS. (68 NM).

- NOTES:**
- 1 APPROXIMATE SHIPPING WEIGHT = 1850 LBS [839 KG]
 - 2 DIMENSIONS SHOWN IN INCHES [MILLIMETERS] SCALE: 1 = 1.4



REVISION	01								

DFTR JODY GRABOWSKI		DATE 11/29/2010	THE INFORMATION ON THIS DOCUMENT WAS CREATED BY EATON CORPORATION. IT WAS DISCLOSED IN CONFIDENCE AND IS ONLY TO BE USED FOR THE PURPOSE IN WHICH IT WAS SUPPLIED.		
APPD		DATE	TITLE BYPASS ISOLATION OPEN TRANSFER CONTACTOR SWITCH 480V 3 POSITION 100-1200 AMP ATC-800 CONTROLLER		
FEDERAL ID NO. 88725	S.O.	T5730903G009	TYPE BIC8C3E31200XSU	DRAWOUT	OUTLINE
PRODUCT CODE AT	REVISION 01		G.O. -	DWG ATC-800 01	SHEET 1 OF 6



NT1/ET1	
1	0V
2	120V
3	208V
4	240V
5	480V
7	120V
8	300VA
9	300VA
10	120V
11	25VA

- NT1 - NORMAL TRANSFORMER
- ET1 - EMERGENCY TRANSFORMER
- NRA - NORMAL AUXILIARY RELAY
- ERA - EMERGENCY AUXILIARY RELAY
- NSx - NORMAL AUXILIARY SWITCH
- ESx - EMERGENCY AUXILIARY SWITCH
- NPRR - NORMAL PHASE ROTATION RELAY
- EPRR - EMERGENCY PHASE ROTATION RELAY
- Nx - CUSTOMER NORMAL CONNECTION
- Ex - CUSTOMER EMERGENCY CONNECTION
- Tx - CUSTOMER LOAD CONNECTION
- Px - FEMALE CONNECTOR
- Sx - MALE CONNECTOR
- KV (RLY1) - VOTING RELAY
- FSx - FUSE HOLDER
- TXx - TRANSFORMER
- RLYx - RELAY
- PSx - POWER SUPPLY
- LCx - LOGIC CONTROLLER
- SWx - SWITCH

01
REVISION

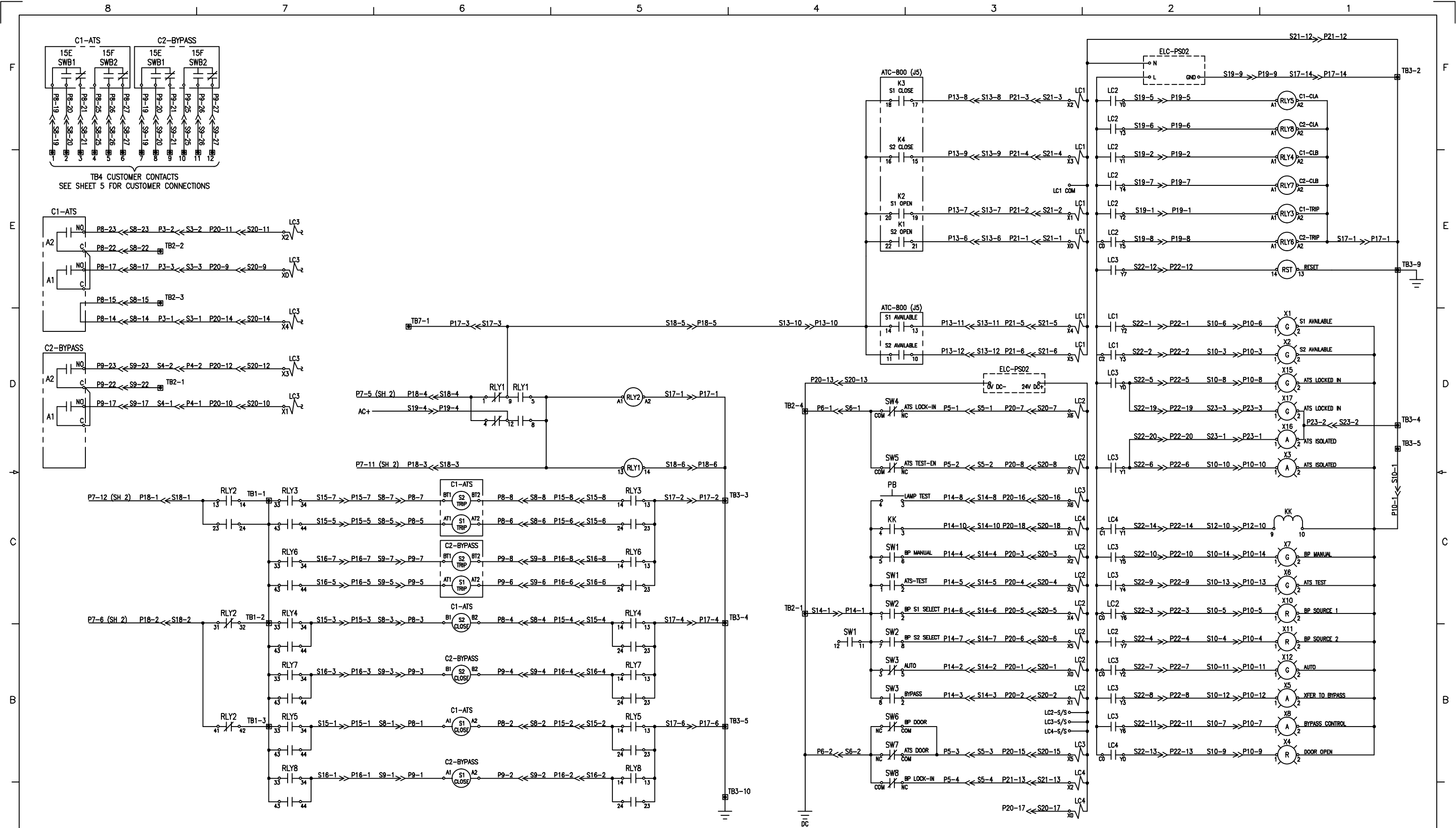
DFTR
JODY GRABOWSKI
DATE
11/29/2010
APPD
DATE
S.O.
T5730903G009
REVISION
01

THE INFORMATION ON THIS DOCUMENT WAS CREATED BY EATON CORPORATION. IT WAS DISCLOSED IN CONFIDENCE AND IS ONLY TO BE USED FOR THE PURPOSE IN WHICH IT WAS SUPPLIED.

TITLE
BYPASS ISOLATION OPEN TRANSFER | CONTACTOR SWITCH
480V 3 POSITION | 100-1200 AMP | ATC-800 CONTROLLER

TYPE
BIC8C3E31200XSU DRAWOUT SCHEMATIC

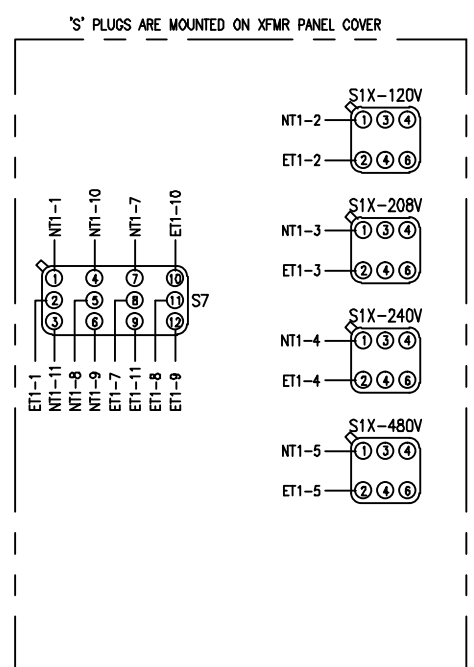
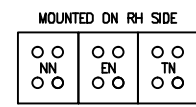
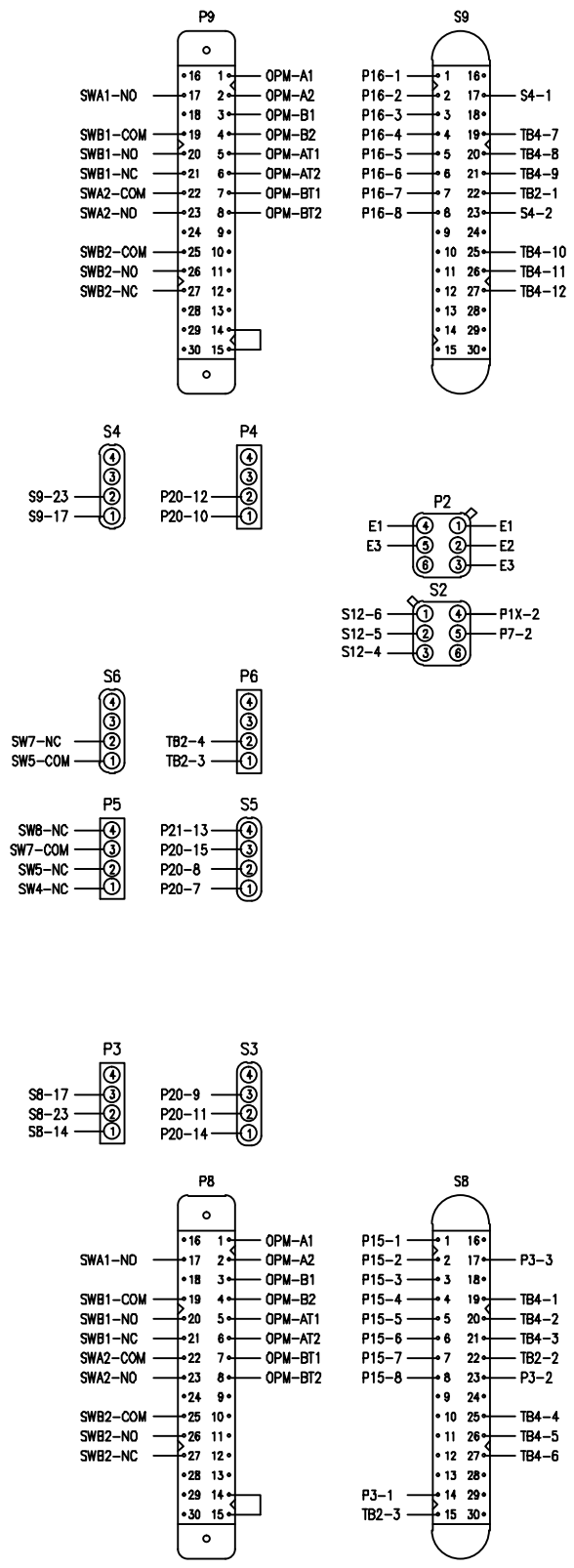
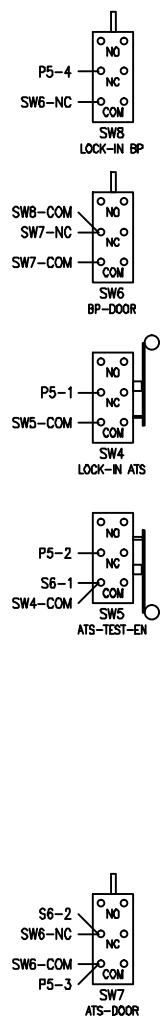
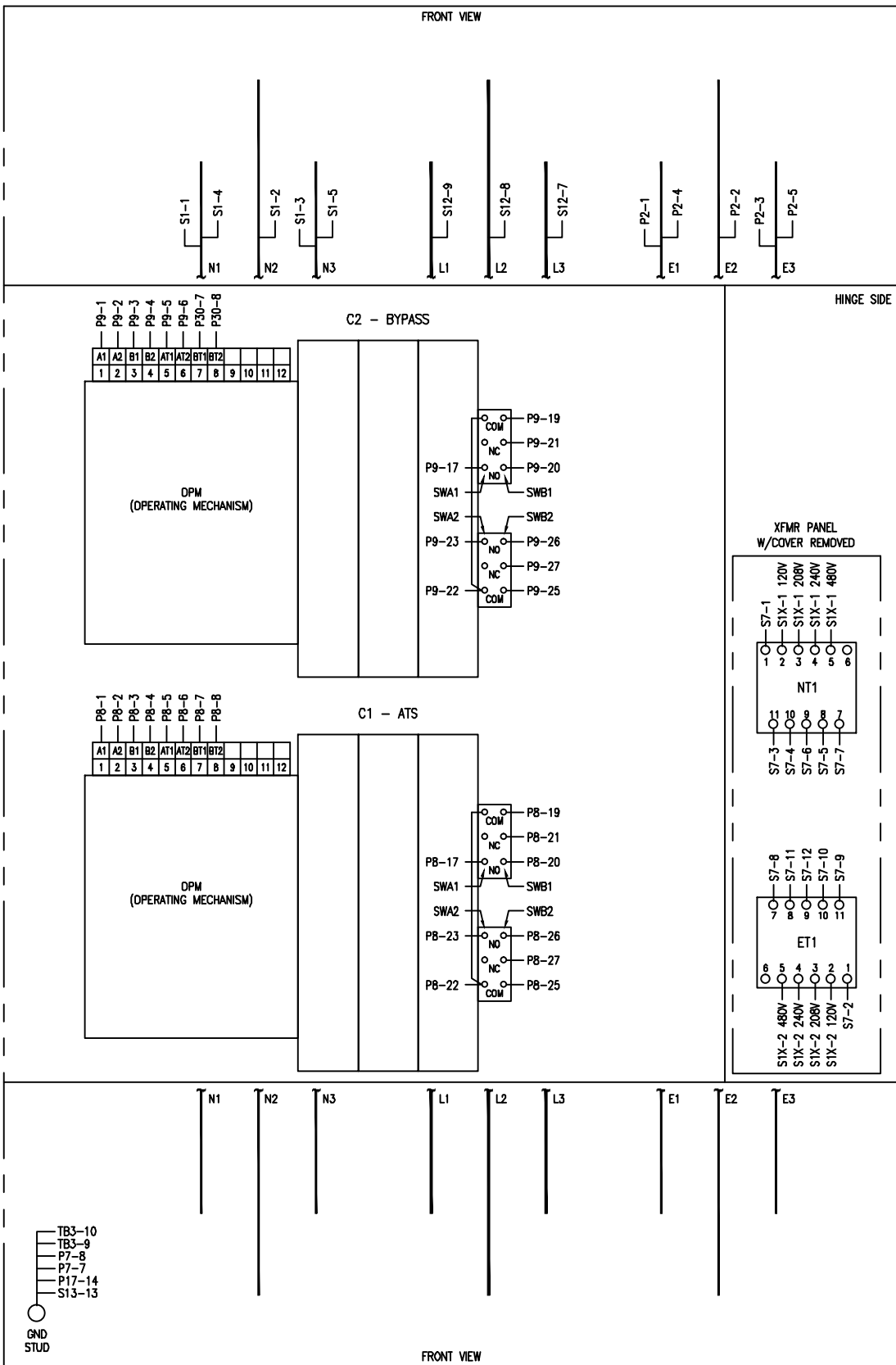
G.O.
- DWG
ATC-800 S1 SHEET
2 OF 6



01 REVISION	DFTR JODY GRABOWSKI		DATE 11/29/2010		THE INFORMATION ON THIS DOCUMENT WAS CREATED BY EATON CORPORATION. IT WAS DISCLOSED IN CONFIDENCE AND IS ONLY TO BE USED FOR THE PURPOSE IN WHICH IT WAS SUPPLIED.	
	APPD		DATE		TITLE BYPASS ISOLATION OPEN TRANSFER CONTACTOR SWITCH 480V 3 POSITION 100-1200 AMP ATC-800 CONTROLLER	
	FEDERAL ID NO. BB725	S.O.	T5730903G009		TYPE BIC8C3E31200XSU	DRAWOUT
	PRODUCT CODE AT	REVISION 01	G.O.	DWG ATC-800 S2	SCHEMATIC SHEET 3 OF 6	

** CUSTOMER CONNECTIONS CAN BE TOP OR BOTTOM ENTRY

** PLUGS ENLARGED FOR CLARITY

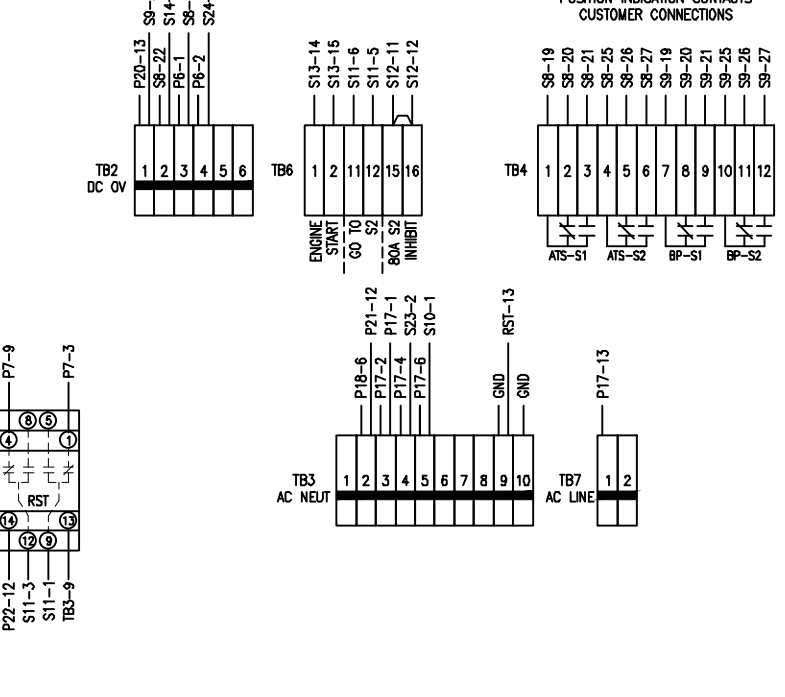
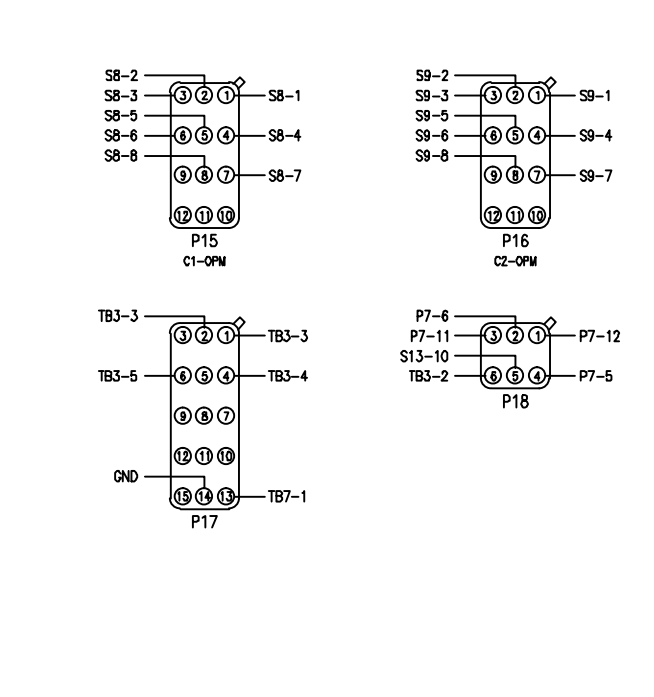
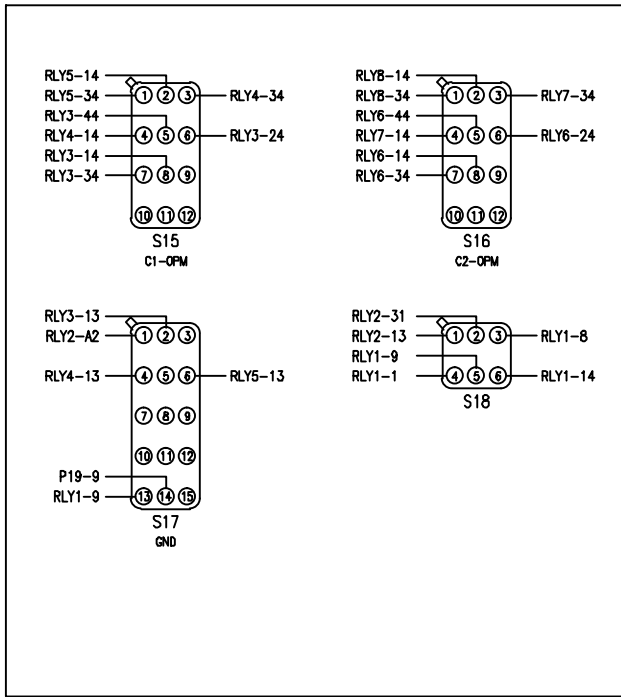
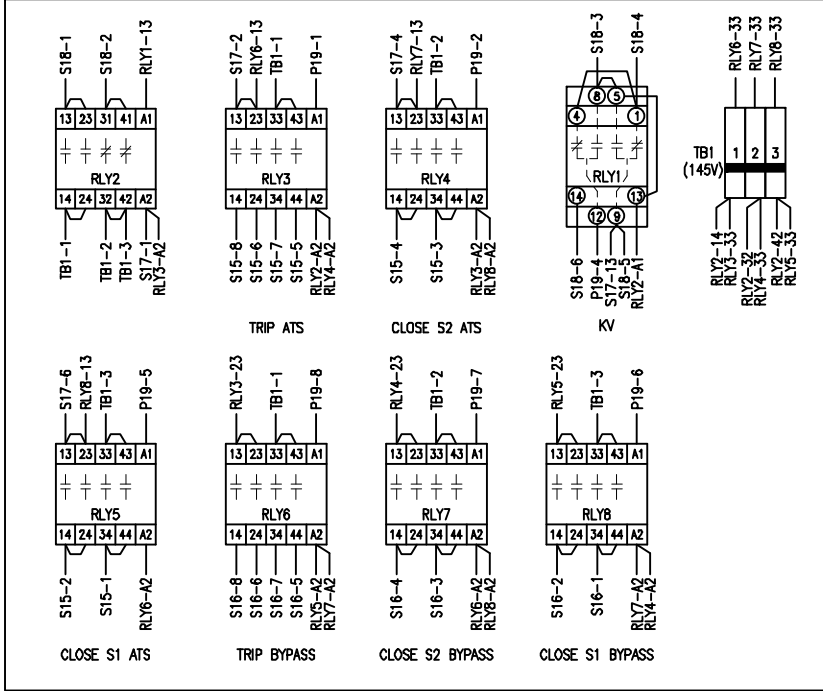


01 REVISION

DFTR JODY GRABOWSKI DATE 11/29/2010
 APPD DATE
 FEDERAL ID NO. 88725
 PRODUCT CODE AT

THE INFORMATION ON THIS DOCUMENT WAS CREATED BY EATON CORPORATION. IT WAS DISCLOSED IN CONFIDENCE AND IS ONLY TO BE USED FOR THE PURPOSE IN WHICH IT WAS SUPPLIED.
EATON
 TITLE BYPASS ISOLATION OPEN TRANSFER | CONTACTOR SWITCH 480V 3 POSITION | 100-1200 AMP | ATC-800 CONTROLLER
 TYPE BIC8C3E31200XSU DRAWOUT DIAGRAM
 G.O. - DWG ATC-800 W1 SHEET 4 OF 6

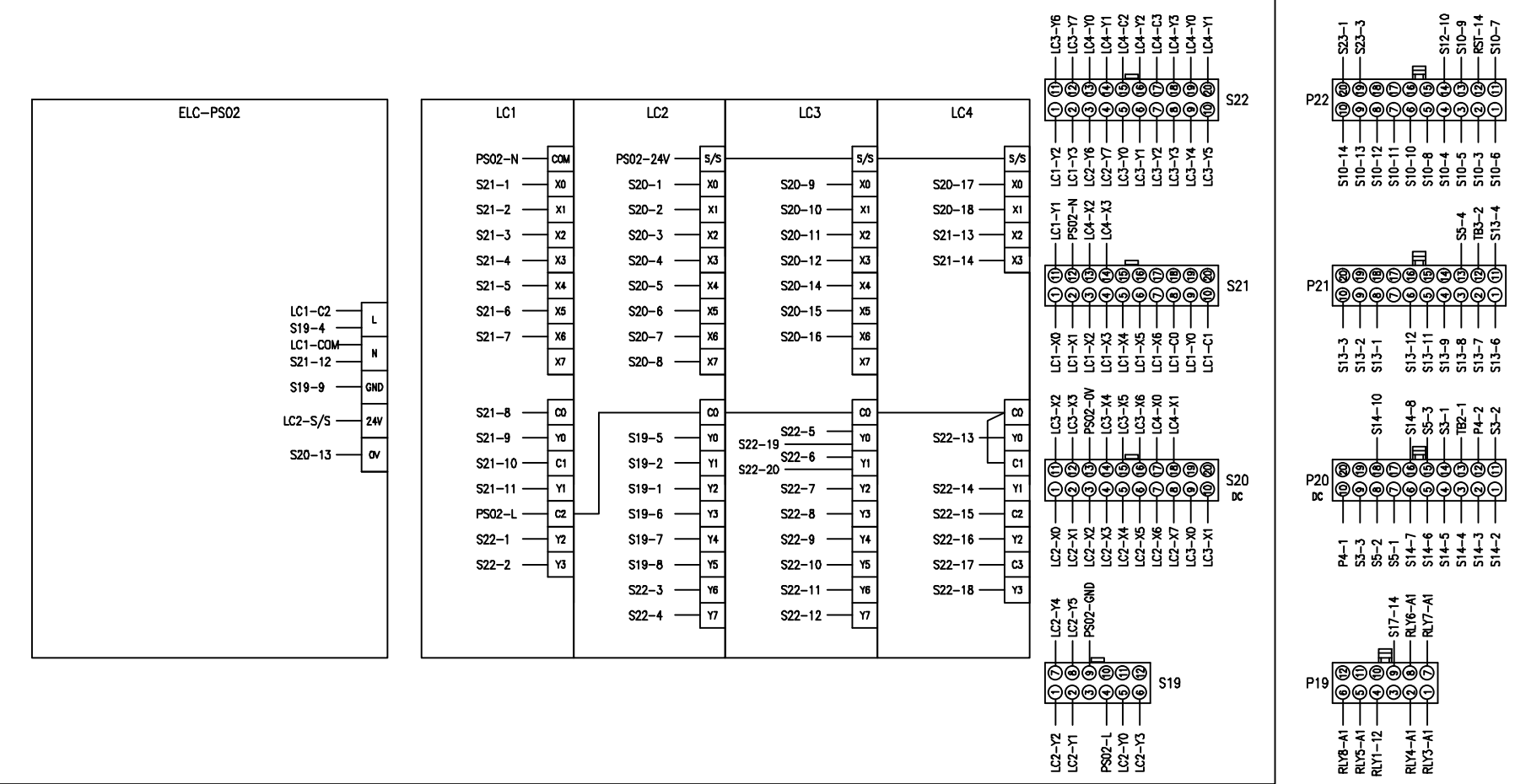
RELAY PANEL (MOUNTED ABOVE XFMR BOX)



OPTION PANEL (MOUNTED BELOW RELAY PANEL)



BYPASS LOGIC PANEL (MOUNTED BEHIND XMFR BOX)



01	REVISION	DFTR	JODY GRABOWSKI	DATE	11/29/2010	THE INFORMATION ON THIS DOCUMENT WAS CREATED BY EATON CORPORATION. IT WAS DISCLOSED IN CONFIDENCE AND IS ONLY TO BE USED FOR THE PURPOSE IN WHICH IT WAS SUPPLIED.	
		APPD		DATE		TITLE	
		FEDERAL ID NO.	88725	S.O.	T5730903G009	BYPASS ISOLATION OPEN TRANSFER CONTACTOR SWITCH	
		PRODUCT CODE	AT	REVISION	01	480V 3 POSITION 100-1200 AMP ATC-800 CONTROLLER	
				TYPE		BIC8C3E31200XSU	
				DRAWOUT		DIAGRAM	
				G.O.		DWG	
				ATC-800 W2		SHEET 5 OF 6	

