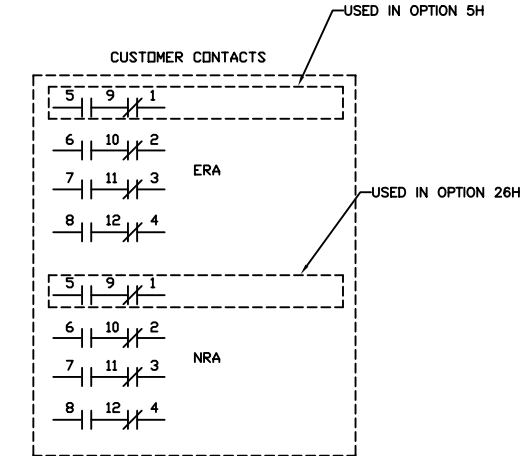
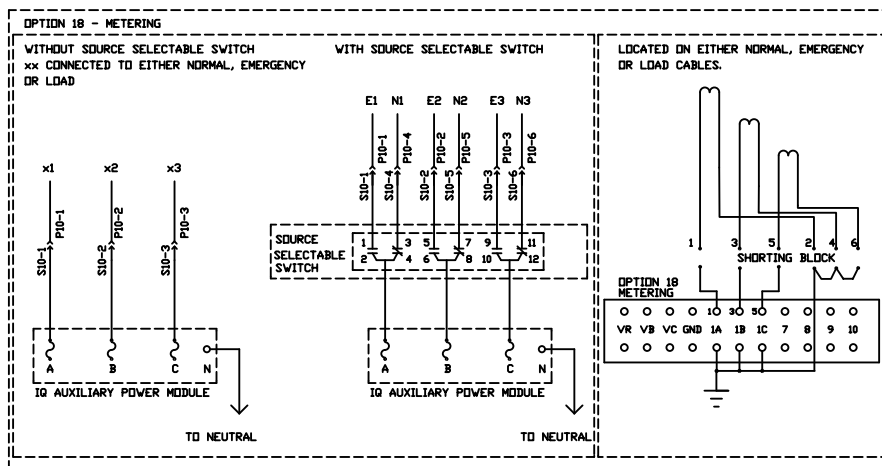
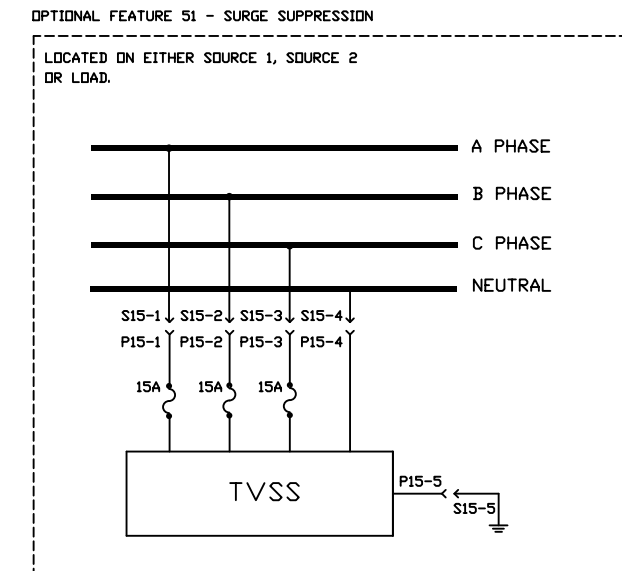
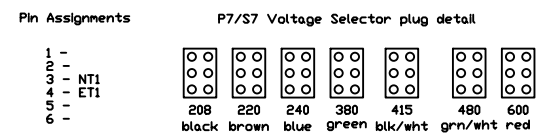
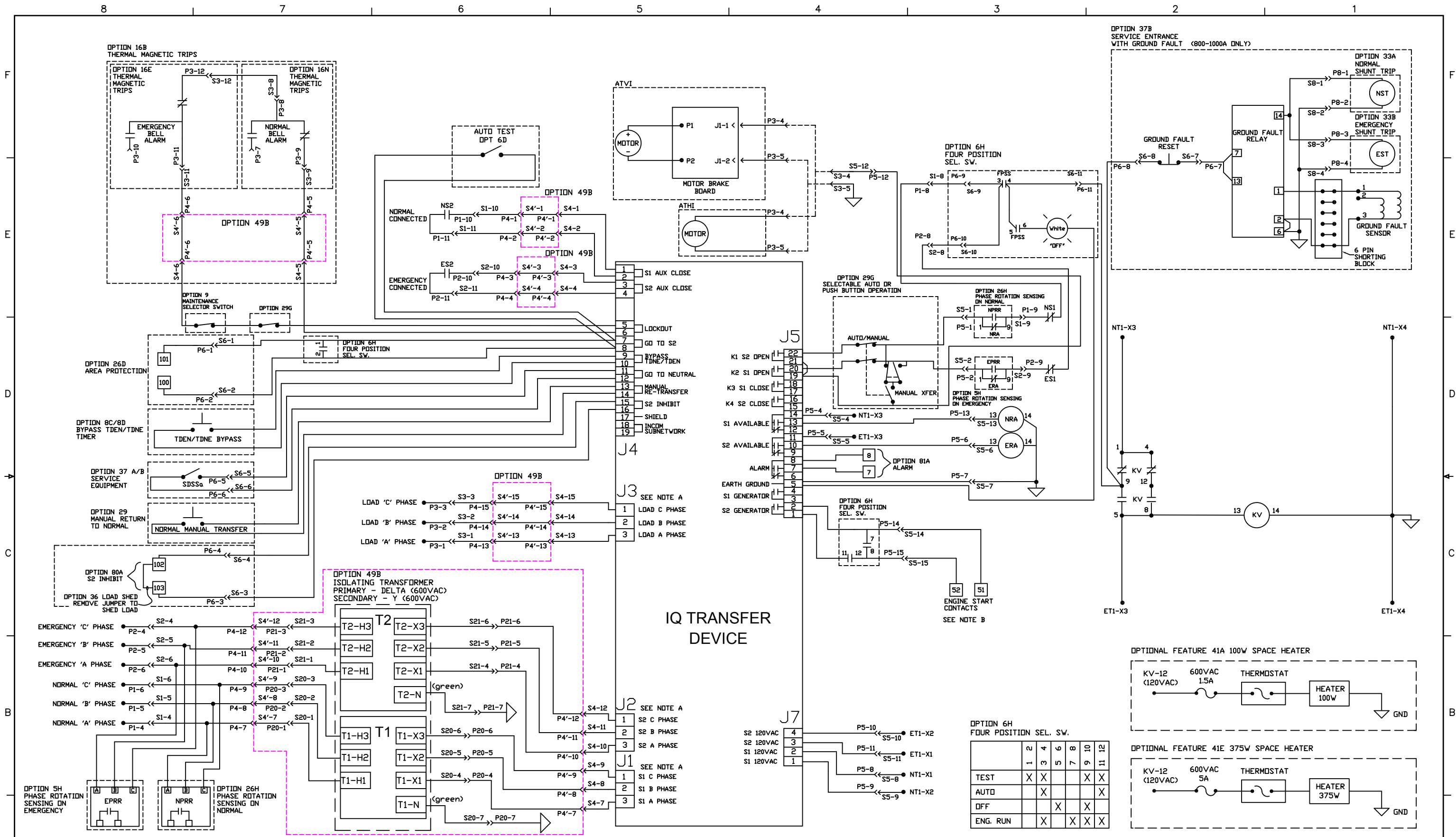


LEGEND & NOTES	
	COMMON REFERENCE
	CURRENT TRANSFORMER LOCATED PER 18x OPTION
	FEMALE CONNECTION
	FIXED MOUNT SWITCHING DEVICE
	FUSE
	INDICATOR LIGHT
	MALE CONNECTION
	MECHANICAL INTERLOCK
	MULTITAP TRANSFORMER
	N.C. PUSHBUTTON
	N.C. SELECTOR SWITCH
	N.C. CONTACT
	N.O. CONTACT
	N.O. PUSHBUTTON
	N.O. SELECTOR SWITCH
	RELAY OR TIMER, 120VAC
	TERMINAL BLOCK
	EPRR - EMERGENCY PHASE ROTATION RELAY
	ERA - EMERGENCY AUXILIARY RELAY
	ERB - EMERGENCY AUXILIARY RELAY
	ESx - EMERGENCY AUXILIARY SWITCH
	ETx - EMERGENCY TRANSFORMER CONNECTION
	Ex - EMERGENCY CUSTOMER CONNECTION
	FSx - FUSE HOLDER
	IQSS - IQ SELECTOR SWITCH
	KV - VOTING RELAY
	NPRR - NORMAL PHASE ROTATION RELAY
	NRA - NORMAL AUXILIARY RELAY
	NSx - NORMAL AUXILIARY SWITCH
	NTx - NORMAL TRANSFORMER CONNECTION
	Nx - NORMAL CUSTOMER CONNECTION
	Px - FEMALE CONNECTOR
	SDSS - SERVICE DISCONNECT SELECTOR SWITCH
	SDSSx - SDSS CONTACT
	Sx - MALE CONNECTOR
	TDCL - TIME DELAY CRANK LIMITER
	Tx - LOAD CUSTOMER CONNECTION
NOTE A: PHASE CONNECTIONS TO IQ ARE ON LOAD SIDE OF FSx IF SERVICE EQUIPMENT OTHERWISE CONNECTED TO MAIN TERMINALS	
NOTE B: TERMINALS ARE TO BE CONNECTED TO REMOTE START CONTACT FROM GENERATOR	
NOTE C: NEUTRAL SWITCHED ON 4 POLE DEVICE	



REVISION	DATE	BY	CHKD
1	04/17/1998	J. MAZUR	J. MAZUR
4	04/17/1998	J. MAZUR	J. MAZUR
5	04/17/1998	J. MAZUR	J. MAZUR
6	04/17/1998	J. MAZUR	J. MAZUR
7	04/17/1998	J. MAZUR	J. MAZUR
8	04/17/1998	J. MAZUR	J. MAZUR
9	04/17/1998	J. MAZUR	J. MAZUR
10	04/17/1998	J. MAZUR	J. MAZUR
11	04/17/1998	J. MAZUR	J. MAZUR
12	04/17/1998	J. MAZUR	J. MAZUR
13	04/17/1998	J. MAZUR	J. MAZUR
14	04/17/1998	J. MAZUR	J. MAZUR
15	04/17/1998	J. MAZUR	J. MAZUR
16	04/17/1998	J. MAZUR	J. MAZUR
17	04/17/1998	J. MAZUR	J. MAZUR
18	04/17/1998	J. MAZUR	J. MAZUR
19	04/17/1998	J. MAZUR	J. MAZUR
20	04/17/1998	J. MAZUR	J. MAZUR

THE INFORMATION ON THIS DOCUMENT WAS CREATED BY CUTLER-HAMMER. IT WAS DISCLOSED IN CONFIDENCE AND IS ONLY TO BE USED FOR THE PURPOSE IN WHICH IT WAS SUPPLIED.		DFTR J. MAZUR	DATE 04/17/1998	EATON Cutler-Hammer
		APPD J.R. FARLS	DATE	
FEDERAL ID NO. 88725	PRODUCT CODE 6448	REVISION 20	G.O.	TITLE AUTOMATIC TRANSFER SWITCH ATVI/ATHI WALL MOUNT ATS
			DWG 5724B11	TYPE WIRING DIAGRAM
			SHEET 1 OF 2	



1	GS-
4	REVISION
5	REVISED OPTION 29G INFANTOZZI 1/15/02
6	REVISED OPTION 37B INFANTOZZI 04/23/2002
7	REVISED OPTION 37B INFANTOZZI 06/05/2002
8	REVISED OPTION 37B INFANTOZZI 12/30/2002
9	REMOVE 12 GAUGE WIRE ON SHEET 2, KOZAR 04/22/2003
10	REVISED OPTION 37B INFANTOZZI 06/28/2003
11	ADD UPRATE SUBMITAL * KNOX 07/23/2003
12	NO CHANGE. SEE ECR FOR DETAILS. KOZAR 10/23/2003
13	REMOVE 6 PIN SHORTING BLOCK FROM SHEET 2, MARTIN 05/23/2004
14	CORRECT REVISION LEVEL. MARTIN INFANTOZZI 06/29/2004
15	ADD NEW TERMINAL AND NEW FORM. HEG 06/09/2005
16	REVISED OPTION 41E AND OPTION 41E TERMINAL NUMBERS DERIVED FOR I/O CONTROLLER DEVICE. A. MULEY 06/09/07
17	REVISED OPTION 41E AND OPTION 41E TERMINAL NUMBERS DERIVED FOR I/O CONTROLLER DEVICE. A. MULEY 06/09/07
18	REVISED OPTION 80A & 81A AND OPTION 81A - ALARM. A. MULEY 07/07/08
19	REVISED OPTION 37B AND OPTION 37B TERMINAL NUMBERS DERIVED FOR I/O CONTROLLER DEVICE. A. MULEY 10/14/08
20	REVISED OPTION 31, TWS AND OPTION 31 TWS THROUGH PACKAGE. D. UNDERWOOD 11/19/08

1	SEE NOTE A	S2 C PHASE
2	SEE NOTE A	S2 B PHASE
3	SEE NOTE A	S2 A PHASE
1	SEE NOTE A	S1 C PHASE
2	SEE NOTE A	S1 B PHASE
3	SEE NOTE A	S1 A PHASE

TEST	X	X		X	X
AUTO		X			X
OFF			X	X	
ENG. RUN	X	X	X	X	

THE INFORMATION ON THIS DOCUMENT WAS CREATED BY CUTLER-HAMMER. IT WAS DISCLOSED IN CONFIDENCE AND IS ONLY TO BE USED FOR THE PURPOSE IN WHICH IT WAS SUPPLIED.

FEDERAL ID NO. 88725 PRODUCT CODE 6448 REVISION 20

DFTR J. MAZUR DATE 04/17/1998

APPD J.R. FARLS DATE

S.O.

EATON | **Cutler-Hammer**

TITLE AUTOMATIC TRANSFER SWITCH
ATVI/ATHI WALL MOUNT ATS

TYPE

WIRING DIAGRAM

G.O. DWG 5724B11 SHEET 2 OF 2