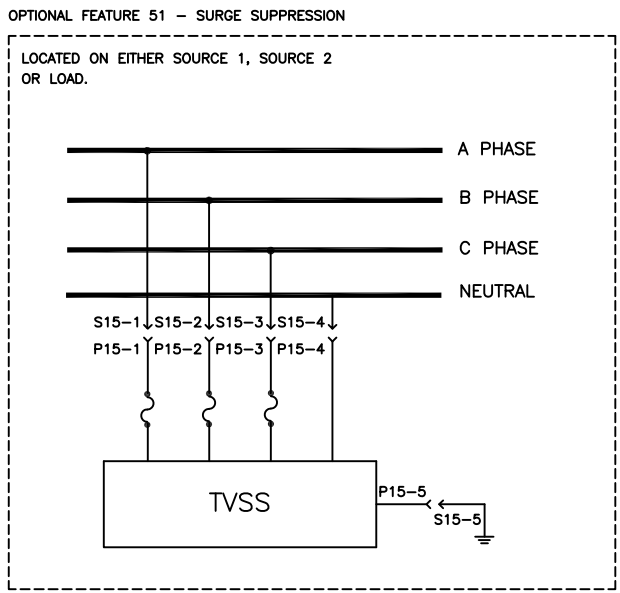
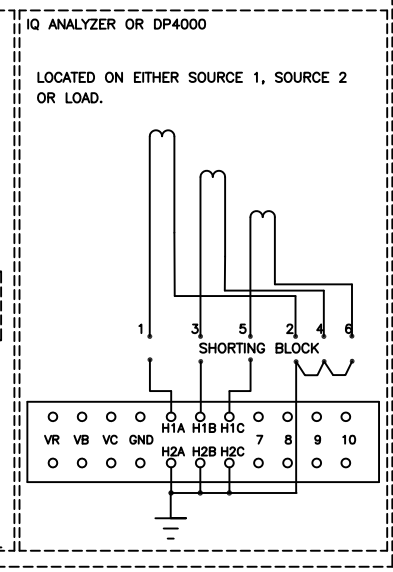
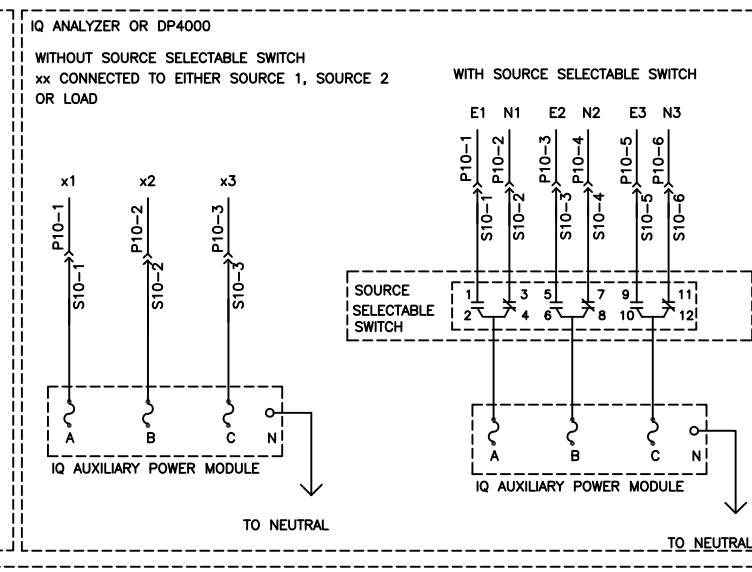
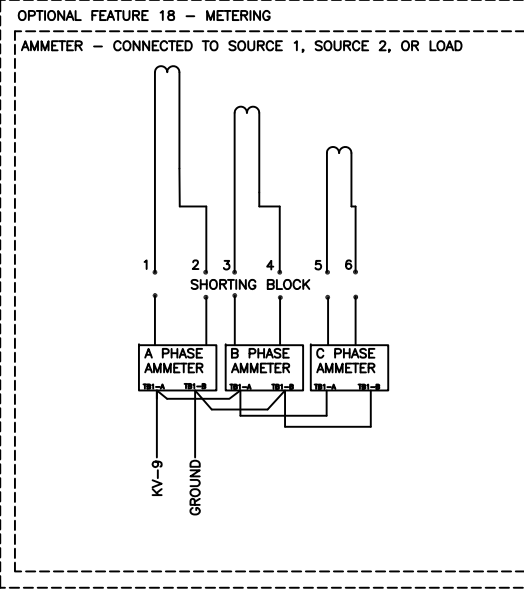


LEGEND & NOTES

- COMMON REFERENCE
- CURRENT TRANSFORMER LOCATED PER 18x OPTION
- FEMALE CONNECTION
- FIXED MOUNT SWITCHING DEVICE
- FUSE
- MALE CONNECTION
- MECHANICAL INTERLOCK
- MULTITAP TRANSFORMER
- N.C. PUSHBUTTON
- N.C. SELECTOR SWITCH
- N.C. CONTACT
- N.O. CONTACT
- N.O. PUSHBUTTON
- N.O. SELECTOR SWITCH
- RELAY OR TIMER, 120VAC
- TERMINAL BLOCK

- ERA - SOURCE 2 AUXILIARY RELAY
 - ESx - SOURCE 2 AUXILIARY SWITCH
 - ETx - SOURCE 2 TRANSFORMER
 - Ex - SOURCE 2 CUSTOMER CONNECTION
 - FSx - FUSE HOLDER
 - KV - VOTING RELAY
 - NRA - SOURCE 1 AUXILIARY RELAY
 - NSx - SOURCE 1 AUXILIARY SWITCH
 - NTx - SOURCE 1 TRANSFORMER
 - Nx - SOURCE 1 CUSTOMER CONNECTION
 - Px - FEMALE CONNECTOR
 - SDSS - SERVICE DISCONNECT SELECTOR SWITCH
 - SDSSx - SDSS CONTACT
 - Sx - MALE CONNECTOR
 - Tx - LOAD CUSTOMER CONNECTION
- NOTE A: TERMINALS ARE TO BE CONNECTED TO REMOTE START CONTACT FROM GENERATOR.
- NOTE B: IF THIS OPTION IS INSTALLED, THE TRANSFER SWITCH WILL BE LABELED NON-AUTOMATIC TRANSFER SWITCH.
- NOTE C: NEUTRAL SWITCHED ON 4 POLE DEVICE
- NOTE D: REMOVE TO TRANSFER TO SOURCE 2



1	2	3	4
REVISION GS-1939	RN # GS-2107 SEE SHEET 2 AND 3 FOR DETAILS LATHROP 04/05/04 LATHROP PRINCE	RN # GS-2159 REVISE PER MARKUP HEG 06/02/2004 LATHROP PRINCE	RN # GS-3151 SEE SHEET 2 A. MULEY 05/29/07 D. UNDERWOOD

UNLESS OTHERWISE SPECIFIED	DFTR KOZAR	DATE 09/12/2003
DIMENSIONS IN INCHES	APPD BERAD	
ONE PLACE DEC ±0.1	APPD PRINCE	
TWO PLACE DEC ±0.02	ENGR REF	
THREE PLACE DEC ±0.005	NEXT ASSY	
ANGLES ±0.5	TOOL REF	
ONE PLACE MM ±0.5	DSPEC	
TWO PLACE MM ±0.13		
VOLTAGE ±5%		
RESISTANCE ±10%		
AMPERAGE ±2%		
FORCE, TORQUE, SPEED ±10%		
TIME ±1%		
TEMPERATURE ±3°C ±5°F		
DIMENSIONS TO BE INTERPRETED IN ACCORDANCE WITH ASME Y14.5M-1994		

Eaton Cutler-Hammer

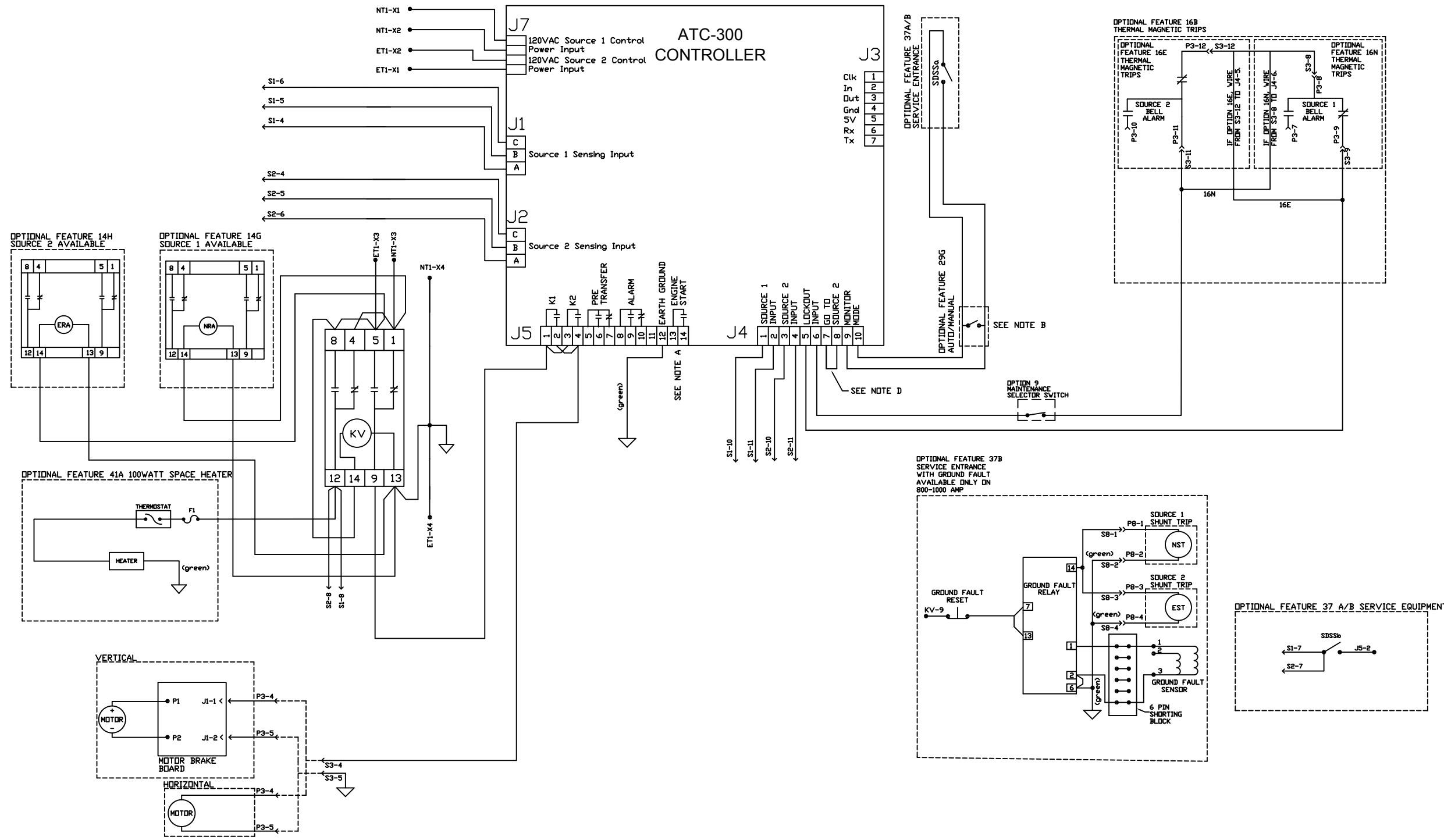
THE INFORMATION ON THIS DRAWING IS THE PROPERTY OF EATON CORPORATION. IT IS DISCLOSED IN CONFIDENCE AND IS NOT TO BE REPRODUCED, USED, OR DISCLOSED EXCEPT FOR THE PURPOSE FOR WHICH FURNISHED.

BEAVER PLANT, BEAVER, PA

TITLE: AUTOMATIC TRANSFER SWITCH
ATC-300 CONTROLLED WALL MOUNT
INTERNATIONAL VOLTAGE WIRING DIAGRAM

SIZE B DIRECTORY CMS DWG NO 68B2568

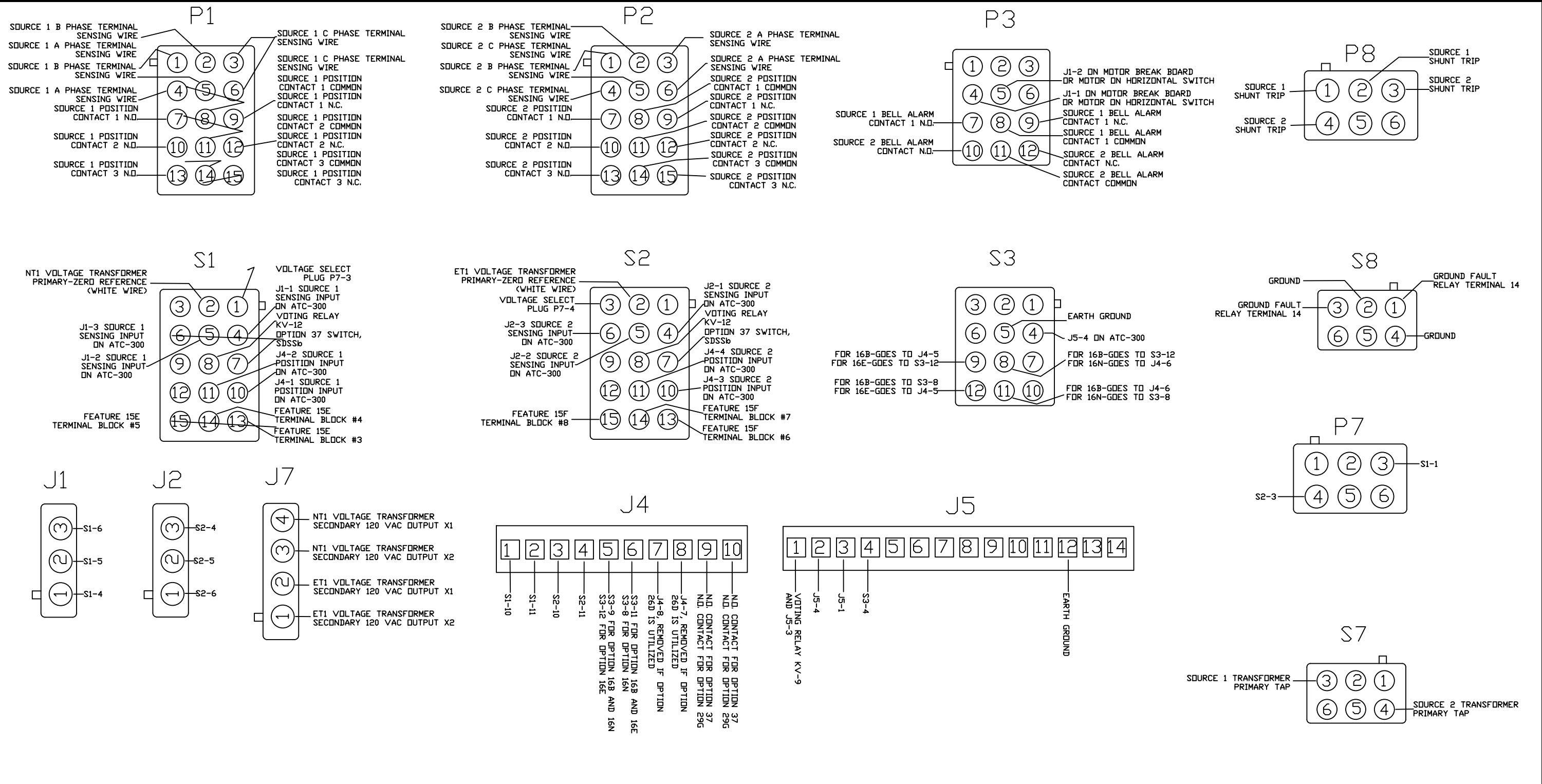
SCALE PARTS LIST PRODUCT CODE 6448 SHEET NO 1 OF 3



1	REVISION GS-1939
2	RN # GS-2107 J1, J2, AND J7 WERE NUMBERED LATHROP 04/05/04 LATHROP PRINCE
3	RN # GS-2159 SEE SHEET 1 HEG 06/02/2004 LATHROP PRINCE
4	RN # GS-3151 ADDED OPTION 9 A. MULEY 05/29/07 D. UNDERWOOD

UNLESS OTHERWISE SPECIFIED	DFTR KOZAR	DATE 09/12/2003
DIMENSIONS IN INCHES	APPD BERAD	
ONE PLACE DEC ±0.1	APPD PRINCE	
TWO PLACE DEC ±0.02	ENGR REF	
THREE PLACE DEC ±0.005	NEXT ASSY	
ANGLES ±0.5	TOOL REF	
ONE PLACE MM ±0.5	DSPEC	
TWO PLACE MM ±0.13		
VOLTAGE ±5%		
RESISTANCE ±10%		
AMPERAGE ±2%		
FORCE, TORQUE, SPEED ±10%		
TIME ±1%		
TEMPERATURE ±3°C		
±5°F		
DIMENSIONS TO BE INTERPRETED IN ACCORDANCE WITH ASME Y14.5M-1994		

EATON		Cutler-Hammer	
<small>THE INFORMATION ON THIS DRAWING IS THE PROPERTY OF EATON CORPORATION. IT IS DISCLOSED IN CONFIDENCE AND IS NOT TO BE REPRODUCED, USED, OR DISCLOSED EXCEPT FOR THE PURPOSE FOR WHICH FURNISHED.</small>			
BEAVER PLANT, BEAVER, PA			
TITLE AUTOMATIC TRANSFER SWITCH ATC-300 CONTROLLED WALL MOUNT INTERNATIONAL VOLTAGE WIRING DIAGRAM			
SIZE B	DIRECTORY CMS	DWG NO 68B2568	
SCALE	PARTS LIST	PRODUCT CODE 6448	SHEET NO 2 OF 3



1	2	3	4
REVISION GS-1939	RN # GS-2107 J2-3 WAS S2-6 J2-1 WAS S2-4 LATHROP 04/05/04 LATHROP PRINCE	RN # GS-2159 SEE SHEET 1 HEG 06/02/2004 LATHROP PRINCE	RN # GS-3151 SEE SHEET 2 A. MULEY 05/29/07 D. UNDERWOOD

UNLESS OTHERWISE SPECIFIED DIMENSIONS IN INCHES ONE PLACE DEC ±0.1 TWO PLACE DEC ±0.02 THREE PLACE DEC ±0.005 ANGLES ±0.5 ONE PLACE MM ±0.5 TWO PLACE MM ±0.13 VOLTAGE ±5% RESISTANCE ±10% AMPERAGE ±2% FORCE, TORQUE, SPEED ±10% TIME ±1% TEMPERATURE ±3°C ±5°F	DFTR KOZAR	DATE 10/07/2003		THE INFORMATION ON THIS DRAWING IS THE PROPERTY OF EATON CORPORATION. IT IS DISCLOSED IN CONFIDENCE AND IS NOT TO BE REPRODUCED, USED, OR DISCLOSED EXCEPT FOR THE PURPOSE FOR WHICH FURNISHED.	
	APPD LATHROP	APPD PRINCE			TECHNOLOGY AND QUALITY CENTER PITTSBURGH, PA
	ENGR REF	NEXT ASSY			TITLE AUTOMATIC TRANSFER SWITCH ATC-300 CONTROLLED WALL MOUNT INTERNATIONAL VOLTAGE WIRING DIAGRAM
	TOOL REF	DSPEC			SIZE B
DIMENSIONS TO BE INTERPRETED IN ACCORDANCE WITH ASME Y14.5M-1994		SCALE	PARTS LIST 5724B76	PRODUCT CODE 6448	SHEET NO 3 OF 3