

1	REVISION	

FEDERAL ID NO.	88725
PRODUCT CODE	AT

DFTR	DATE
APPD	DATE
S.O.	
REVISION	1
DESIGNATION	ATC300+ BRKR

THE INFORMATION ON THIS DOCUMENT WAS CREATED BY EATON CORPORATION. IT WAS DISCLOSED IN CONFIDENCE AND IS ONLY TO BE USED FOR THE PURPOSE IN WHICH IT WAS SUPPLIED.	
TITLE AUTOMATIC TRANSFER BREAKER SWITCH 600V OT   400 AMP   ATC-300+ CONTROLLER	
TYPE	ATV3LDA30400XSU
G.O.	
DWG	ATC300+ BRKR 01
	OUTLINE SHEET 1 OF 4

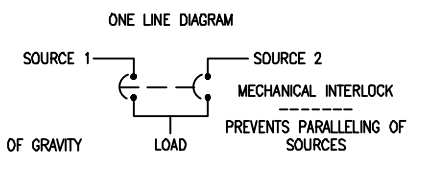
ATV3LDA30400XSU

AUTOMATIC TRANSFER BREAKER SWITCH  
 ATC-300+ CONTROL, LD BREAKER  
 S1 (MCS) S2 (MCS) FIXED MOUNTED  
 3 POLE, 400 AMPS  
 480/277V 60HZ, 3 PHASE, 4 WIRE  
 TYPE-1 ENCLOSURE, UL 1008 LISTED

- FEATURES INCLUDED:
- 1A TIME DELAY NORMAL TO EMERGENCY ADJ 0-1800 sec
  - 2A TIME DELAY ENGINE START ADJ 0-120 sec
  - 3A TIME DELAY EMERGENCY TO NORMAL ADJ 0-1800 sec
  - 4A TIME DELAY ENGINE COOL-OFF ADJ 0-1800 sec
  - 5H EMERGENCY (S2) SENSING PHASE REVERSAL
  - 5J EMERGENCY (S2) SENSING ALL PHASE UNDERVOLTAGE/UNDER FREQ
  - 5K EMERGENCY (S2) SENSING ALL PHASE OVERVOLTAGE/OVER FREQ
  - 5L EMERGENCY (S2) SENSING ALL PHASE VOLTAGE UNBALANCE
  - 6B ENGINE TEST PUSHBUTTON
  - 7A TIME DELAY ENGINE FAIL ADJ 0-6 sec
  - 8C TIME DELAY BYPASS EMERGENCY TO NORMAL
  - 8D TIME DELAY BYPASS NORMAL TO EMERGENCY
  - 12C LED INDICATION NORMAL (S1) CONNECTED
  - 12D LED INDICATION EMERGENCY (S2) CONNECTED
  - 12G LED INDICATION NORMAL (S1) AVAILABLE
  - 12H LED INDICATION EMERGENCY (S2) AVAILABLE
  - 14G AUX RELAY CONTACTS NORMAL (S1) AVAILABLE 2 FORM C
  - 14H AUX RELAY CONTACTS EMERGENCY (S2) AVAILABLE 2 FORM C
  - 15E POSITION INDICATION CONTACT NORMAL (S1) AVAILABLE 1 FORM C
  - 15F POSITION INDICATION CONTACT EMERGENCY (S2) AVAILABLE 1 FORM C
  - 23K PLANT EXERCISER 7/14/28 DAY LOAD/NO LOAD 0-600 min
  - 26D GO TO EMERGENCY (S2) INPUT
  - 26H NORMAL (S1) SENSING PHASE REVERSAL
  - 26J NORMAL (S1) SENSING ALL PHASE UNDERVOLTAGE/UNDER FREQ
  - 26K NORMAL (S1) SENSING ALL PHASE OVERVOLTAGE/OVER FREQ
  - 26L NORMAL (S1) SENSING ALL PHASE VOLTAGE UNBALANCE
  - 29G SELECTABLE AUTOMATIC OR NON-AUTOMATIC OPERATION
  - 29J SELECTABLE AUTOMATIC OR NON-AUTOMATIC RETRANSFER w/FAILSAFE
  - 32A TIME DELAY NEUTRAL ADJUSTABLE 0 - 120 sec
  - 35A PRETRANSFER SIGNAL CONTACTS 1 FORM C
  - 36 LOAD SHED FROM EMERGENCY (S2) INHIBIT
  - 41A 100 WATT SPACE HEATER WITH THERMOSTAT
  - 42 IBC/CBC SEISMIC QUALIFIED
  - 49C MULTI-TAP VOLTAGE TRANSFORMER

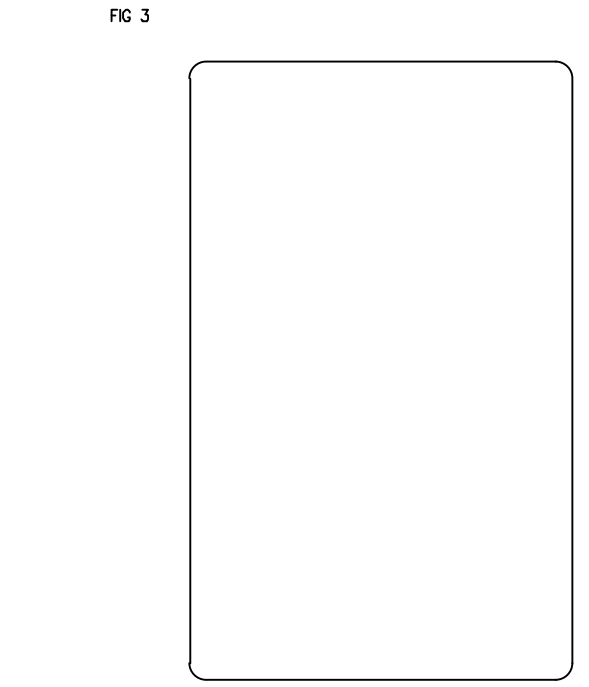
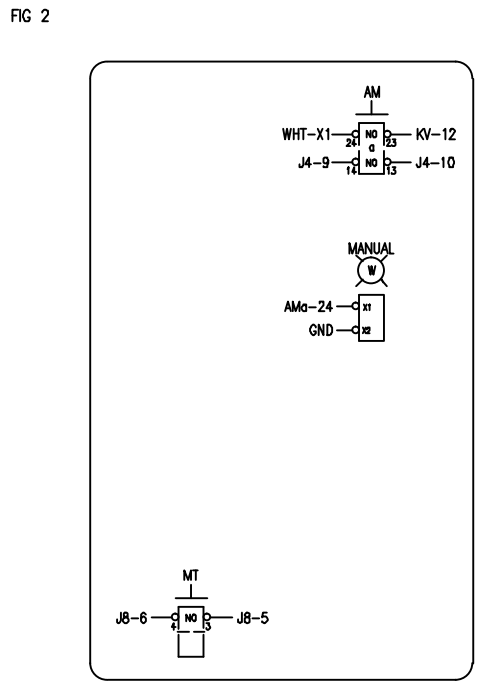
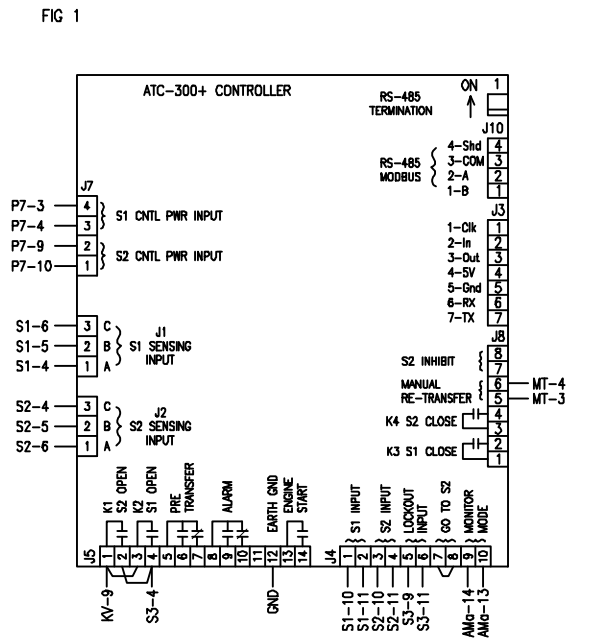
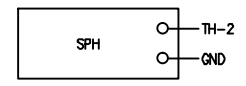
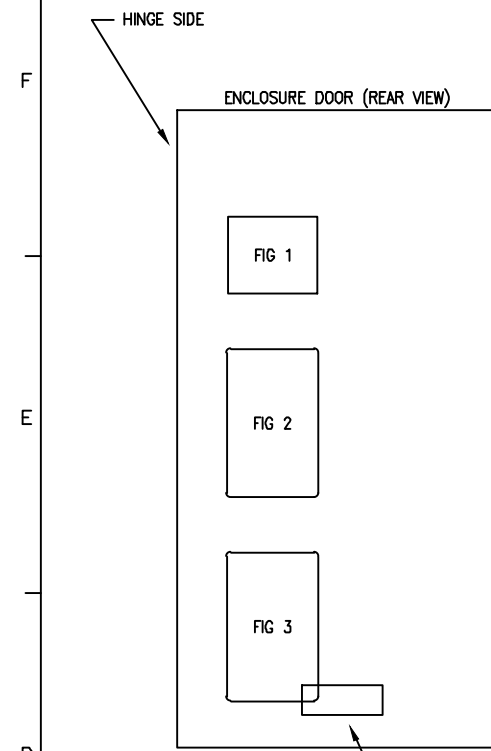
REQUIRED FOR SEISMIC, RECOMMENDED FOR ALL APPLICATIONS:  
 USE 4, 1/2-13 UNC GRADE 5 OR BETTER HEX HEAD BOLTS AND WASHERS.  
 THESE BOLTS ARE TO BE TORQUED TO 75 FT. LBS. (102 NM).

- NOTES:
- 1 APPROXIMATE SHIPPING WEIGHT = 425 LBS [193 KG]
  - 2 DIMENSIONS SHOWN IN INCHES [MILLIMETERS]
  - 3 AUTOMATIC, NON-AUTOMATIC, MANUAL AND SERVICE ENTRANCE CONTROLS PROVIDED BASED ON CUSTOMER ORDER INFORMATION.
  - 4 IF A GROUND FAULT SENSING SYSTEM WAS ORDERED, A WINDOW CT AND GFR RELAY ARE PROVIDED. INSTALLER TO ROUTE ALL LOAD PHASE AND NEUTRAL CONDUCTORS THROUGH WINDOW CT WITH 'H1' AND 'X1' MARKINGS FACING
  - 5 FOR SWITCHED NEUTRAL APPLICATIONS, CONNECT TO TERMINALS MARKED 'NN', 'EN', AND 'LN'. NEUTRAL ASSEMBLY WILL NOT BE PROVIDED.









29J (MT) PRESS TO RETURN TO SOURCE 1

29G (AM) AUTO MANUAL

1
---

REVISION	DATE	DFTR	DATE	THE INFORMATION ON THIS DOCUMENT WAS CREATED BY EATON CORPORATION. IT WAS DISCLOSED IN CONFIDENCE AND IS ONLY TO BE USED FOR THE PURPOSE IN WHICH IT WAS SUPPLIED.	
	DATE	APPD	DATE	TITLE AUTOMATIC TRANSFER   BREAKER SWITCH 600V OT   400 AMP   ATC-300+ CONTROLLER	
	FEDERAL ID NO. 88725	S.O.	DATE	TYPE ATV3LDA30400XSU	DIAGRAM
	PRODUCT CODE AT	REVISION 1	DESIGNATION ATC300+ BRKR	G.O. -	DWG ATC300+ BRKR W2

EATON	
SHEET 4 OF 4	