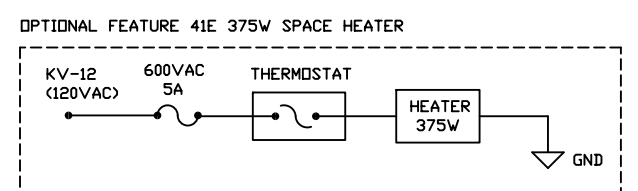
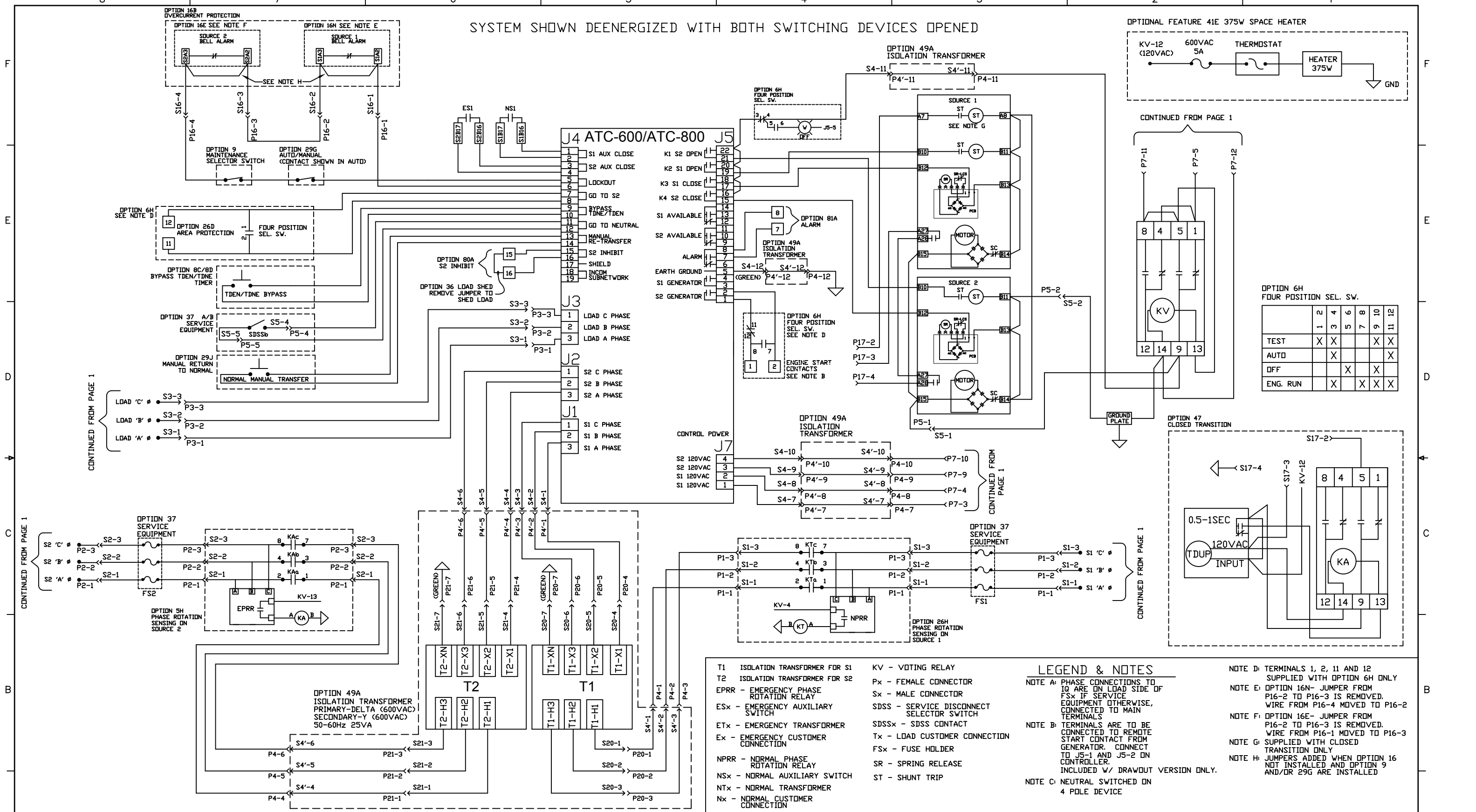


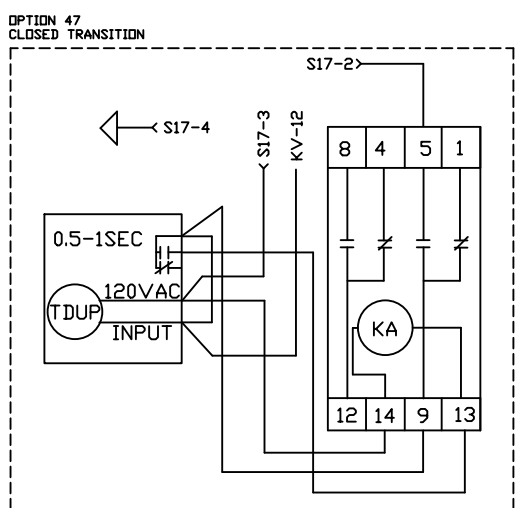
1	GS-2212	REVISION	DFTR INFANTOZZI	DATE 08/27/2004	EATON Cutler-Hammer	TITLE AUTOMATIC TRANSFER SWITCH ATVIMG AND CTVIMG (A-D) FIXED MAGNUM ATS	TYPE WIRING DIAGRAM
	5	RN# GS-2823 UPDATED SHEET 3 T. MULLER 02/19/07 A. MULEY 02/19/07	APPD LATHROP	DATE 08/24/2004			
6	RN# GS-3120 OPTION 37 CONTACT WIRED TO KV-13 AND OPTION 28 CONTACT WIRED TO MULEY 05/18/07	7	RN# GS-3226 LOCATION OF GROUND AND TERMINAL NUMBER CHANGED FOR OPTION 18E, 16B FOR SOURCE-2. TERMINAL NUMBERS CHANGED FOR NPPR, EPRR (OPTION 5H, 26H). CHANGED THE TITLE BLOCK.	A. MULEY 06/05/07 D. UNDERWOOD	G.O.	DWG 5724B74	SHEET 1 OF 3
8	RN# GS-3367 FOLLOWING CHANGED: S1-1 TO N1 S1-3 TO N3	9	RN# GS-3720 ADDED ZONE INTERLOCK	A. MULEY 12/18/07 D. UNDERWOOD			
10	RN# GS-3864 ADDED OPTION 49A (ISOLATION TRANSFORMER) ADDED OPTION 80A (S2 INHIBIT) & OPTION 81A (ALARM)	11	RN# GS-3972 UPDATE OPTION 6 SWITCH TRUTH TABLE - ADD "X" TERM. 3-4 IN "TEST POSITION, AND DELETE TERM. 9-10 UNDERWOOD 04/29/08	A. MULEY 03/18/08 D. UNDERWOOD	12	RN# GS-4044 ADDED OPTION 41E 375W SPACE HEATER REMOVED OPTION 41C	A. MULEY 06/19/08 D. UNDERWOOD
13	RN# GS-4206 REVISED OPTION 16E, 16N, 16B. REVISED POSITION CONTACTS FOR ATS & BYPASS BREAKER REVISED NT1/ET1 TRANSFORMERS	THE INFORMATION ON THIS DOCUMENT WAS CREATED BY CUTLER-HAMMER. IT WAS DISCLOSED IN CONFIDENCE AND IS ONLY TO BE USED FOR THE PURPOSE IN WHICH IT WAS SUPPLIED.		D. UNDERWOOD		G.O.	

SYSTEM SHOWN DEENERGIZED WITH BOTH SWITCHING DEVICES OPENED



OPTION 6H FOUR POSITION SEL. SW.

	1	2	3	4	5	6	7	8	9	10	11	12
TEST		X	X						X	X		
AUTO			X								X	X
OFF				X				X	X			
ENG. RUN		X			X	X	X					



LEGEND & NOTES

T1 ISOLATION TRANSFORMER FOR S1
 T2 ISOLATION TRANSFORMER FOR S2
 EPRR - EMERGENCY PHASE ROTATION RELAY
 ESx - EMERGENCY AUXILIARY SWITCH
 ETx - EMERGENCY TRANSFORMER
 Ex - EMERGENCY CUSTOMER CONNECTION
 NPRR - NORMAL PHASE ROTATION RELAY
 NSx - NORMAL AUXILIARY SWITCH
 NTx - NORMAL TRANSFORMER
 Nx - NORMAL CUSTOMER CONNECTION

KV - VOTING RELAY
 Px - FEMALE CONNECTOR
 Sx - MALE CONNECTOR
 SDSS - SERVICE DISCONNECT SELECTOR SWITCH
 SDSSx - SDSS CONTACT
 FSx - FUSE HOLDER
 SR - SPRING RELEASE
 ST - SHUNT TRIP

NOTE A: PHASE CONNECTIONS TO IQ ARE ON LOAD SIDE OF FSx IF SERVICE EQUIPMENT OTHERWISE, CONNECTED TO MAIN TERMINALS

NOTE B: TERMINALS ARE TO BE CONNECTED TO REMOTE START CONTACT FROM GENERATOR. CONNECT TO JS-1 AND JS-2 ON CONTROLLER.

NOTE C: NEUTRAL SWITCHED ON 4 POLE DEVICE

NOTE D: TERMINALS 1, 2, 11 AND 12 SUPPLIED WITH OPTION 6H ONLY

NOTE E: OPTION 16N- JUMPER FROM P16-2 TO P16-3 IS REMOVED. WIRE FROM P16-4 MOVED TO P16-2

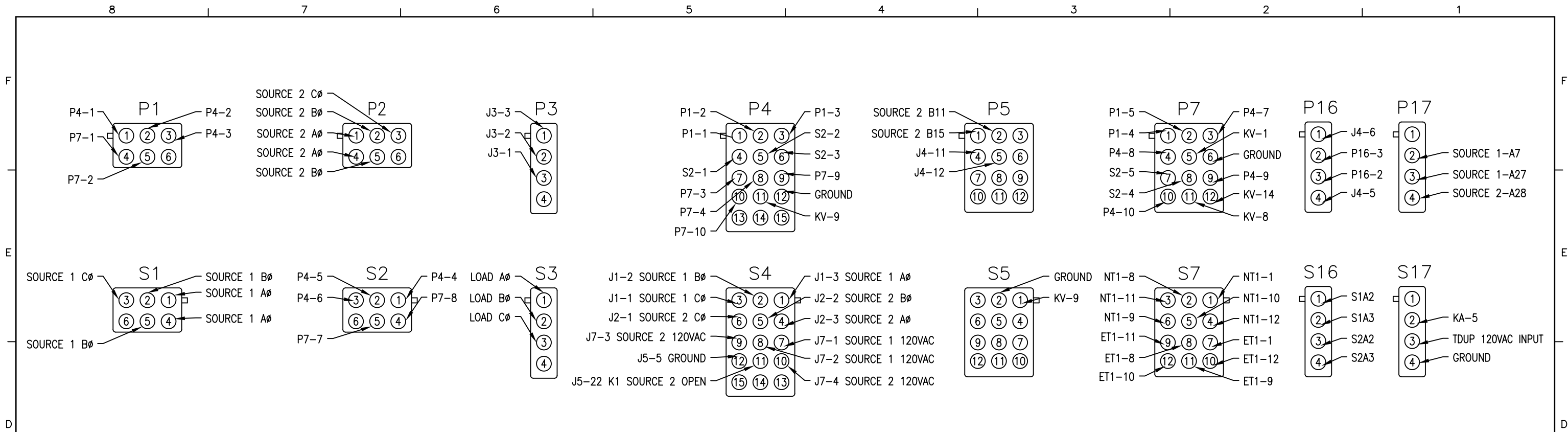
NOTE F: OPTION 16E- JUMPER FROM P16-2 TO P16-3 IS REMOVED. WIRE FROM P16-1 MOVED TO P16-3

NOTE G: SUPPLIED WITH CLOSED TRANSITION ONLY

NOTE H: JUMPERS ADDED WHEN OPTION 16 NOT INSTALLED AND OPTION 9 AND/OR 29G ARE INSTALLED

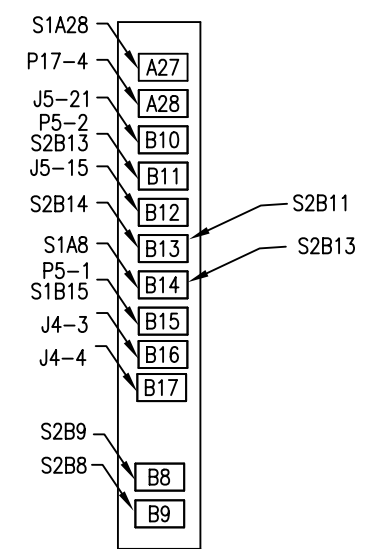
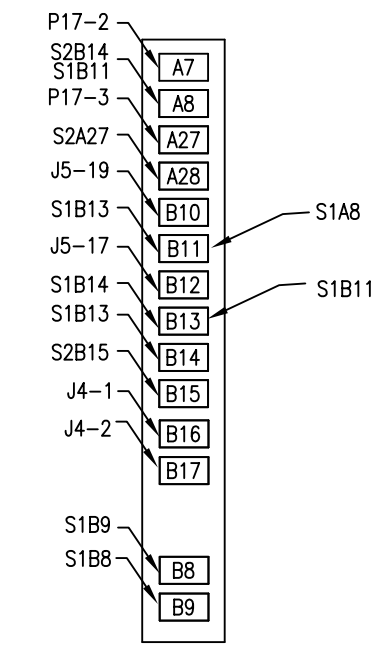
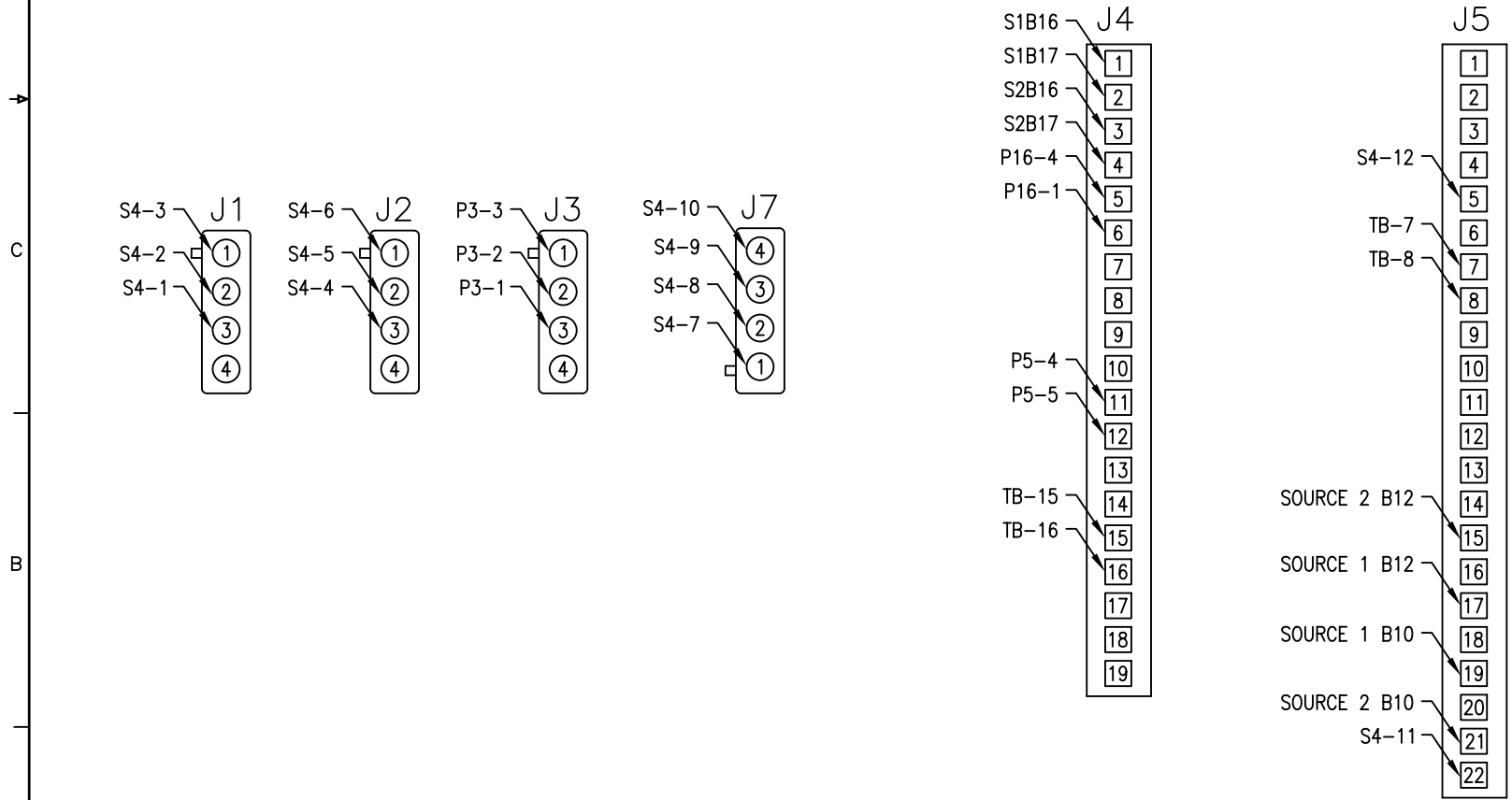
1	GS-2212	5	REVISION	6	OPTION 5H CONTACT WIRED TO KV-13 AND TO KV-20 CONTACT WIRED TO KV-13	7	OPTION 5H PHASE ROTATION SENSING ON SOURCE 2	8	OPTION 5H PHASE ROTATION SENSING ON SOURCE 1	9	OPTION 5H PHASE ROTATION SENSING ON SOURCE 2	10	OPTION 49A ISOLATION TRANSFORMER PRIMARY-DELTA (600VAC) SECONDARY-Y (600VAC) 50-60Hz 25VA	11	OPTION 49A ISOLATION TRANSFORMER PRIMARY-DELTA (600VAC) SECONDARY-Y (600VAC) 50-60Hz 25VA	12	OPTION 49A ISOLATION TRANSFORMER PRIMARY-DELTA (600VAC) SECONDARY-Y (600VAC) 50-60Hz 25VA	13	OPTION 49A ISOLATION TRANSFORMER PRIMARY-DELTA (600VAC) SECONDARY-Y (600VAC) 50-60Hz 25VA	14	OPTION 49A ISOLATION TRANSFORMER PRIMARY-DELTA (600VAC) SECONDARY-Y (600VAC) 50-60Hz 25VA	15	OPTION 49A ISOLATION TRANSFORMER PRIMARY-DELTA (600VAC) SECONDARY-Y (600VAC) 50-60Hz 25VA	16	OPTION 49A ISOLATION TRANSFORMER PRIMARY-DELTA (600VAC) SECONDARY-Y (600VAC) 50-60Hz 25VA	17	OPTION 49A ISOLATION TRANSFORMER PRIMARY-DELTA (600VAC) SECONDARY-Y (600VAC) 50-60Hz 25VA	18	OPTION 49A ISOLATION TRANSFORMER PRIMARY-DELTA (600VAC) SECONDARY-Y (600VAC) 50-60Hz 25VA	19	OPTION 49A ISOLATION TRANSFORMER PRIMARY-DELTA (600VAC) SECONDARY-Y (600VAC) 50-60Hz 25VA	20	OPTION 49A ISOLATION TRANSFORMER PRIMARY-DELTA (600VAC) SECONDARY-Y (600VAC) 50-60Hz 25VA	21	OPTION 49A ISOLATION TRANSFORMER PRIMARY-DELTA (600VAC) SECONDARY-Y (600VAC) 50-60Hz 25VA	22	OPTION 49A ISOLATION TRANSFORMER PRIMARY-DELTA (600VAC) SECONDARY-Y (600VAC) 50-60Hz 25VA	23	OPTION 49A ISOLATION TRANSFORMER PRIMARY-DELTA (600VAC) SECONDARY-Y (600VAC) 50-60Hz 25VA	24	OPTION 49A ISOLATION TRANSFORMER PRIMARY-DELTA (600VAC) SECONDARY-Y (600VAC) 50-60Hz 25VA	25	OPTION 49A ISOLATION TRANSFORMER PRIMARY-DELTA (600VAC) SECONDARY-Y (600VAC) 50-60Hz 25VA	26	OPTION 49A ISOLATION TRANSFORMER PRIMARY-DELTA (600VAC) SECONDARY-Y (600VAC) 50-60Hz 25VA	27	OPTION 49A ISOLATION TRANSFORMER PRIMARY-DELTA (600VAC) SECONDARY-Y (600VAC) 50-60Hz 25VA	28	OPTION 49A ISOLATION TRANSFORMER PRIMARY-DELTA (600VAC) SECONDARY-Y (600VAC) 50-60Hz 25VA	29	OPTION 49A ISOLATION TRANSFORMER PRIMARY-DELTA (600VAC) SECONDARY-Y (600VAC) 50-60Hz 25VA	30	OPTION 49A ISOLATION TRANSFORMER PRIMARY-DELTA (600VAC) SECONDARY-Y (600VAC) 50-60Hz 25VA				
	2		OPTION 49A ISOLATION TRANSFORMER PRIMARY-DELTA (600VAC) SECONDARY-Y (600VAC) 50-60Hz 25VA		3		OPTION 49A ISOLATION TRANSFORMER PRIMARY-DELTA (600VAC) SECONDARY-Y (600VAC) 50-60Hz 25VA		4		OPTION 49A ISOLATION TRANSFORMER PRIMARY-DELTA (600VAC) SECONDARY-Y (600VAC) 50-60Hz 25VA		5		OPTION 49A ISOLATION TRANSFORMER PRIMARY-DELTA (600VAC) SECONDARY-Y (600VAC) 50-60Hz 25VA		6		OPTION 49A ISOLATION TRANSFORMER PRIMARY-DELTA (600VAC) SECONDARY-Y (600VAC) 50-60Hz 25VA		7		OPTION 49A ISOLATION TRANSFORMER PRIMARY-DELTA (600VAC) SECONDARY-Y (600VAC) 50-60Hz 25VA		8		OPTION 49A ISOLATION TRANSFORMER PRIMARY-DELTA (600VAC) SECONDARY-Y (600VAC) 50-60Hz 25VA		9		OPTION 49A ISOLATION TRANSFORMER PRIMARY-DELTA (600VAC) SECONDARY-Y (600VAC) 50-60Hz 25VA		10		OPTION 49A ISOLATION TRANSFORMER PRIMARY-DELTA (600VAC) SECONDARY-Y (600VAC) 50-60Hz 25VA		11		OPTION 49A ISOLATION TRANSFORMER PRIMARY-DELTA (600VAC) SECONDARY-Y (600VAC) 50-60Hz 25VA		12		OPTION 49A ISOLATION TRANSFORMER PRIMARY-DELTA (600VAC) SECONDARY-Y (600VAC) 50-60Hz 25VA		13		OPTION 49A ISOLATION TRANSFORMER PRIMARY-DELTA (600VAC) SECONDARY-Y (600VAC) 50-60Hz 25VA		14		OPTION 49A ISOLATION TRANSFORMER PRIMARY-DELTA (600VAC) SECONDARY-Y (600VAC) 50-60Hz 25VA		15	OPTION 49A ISOLATION TRANSFORMER PRIMARY-DELTA (600VAC) SECONDARY-Y (600VAC) 50-60Hz 25VA	16	OPTION 49A ISOLATION TRANSFORMER PRIMARY-DELTA (600VAC) SECONDARY-Y (600VAC) 50-60Hz 25VA	17

THE INFORMATION ON THIS DOCUMENT WAS CREATED BY CUTLER-HAMMER. IT WAS DISCLOSED IN CONFIDENCE AND IS ONLY TO BE USED FOR THE PURPOSE IN WHICH IT WAS SUPPLIED.		DPTR INFANTOZZI	DATE 08/27/2004	Eaton Cutler-Hammer
FEDERAL ID NO. 88725	PRODUCT CODE	APPD LATHROP	DATE 08/24/2004	
REVISION 13	G.O.	TITLE AUTOMATIC TRANSFER SWITCH ATVMG AND CTVMG (A-D) FIXED MAGNUM ATS		DWG 5724B74
WIRING DIAGRAM		SHEET 2 OF 3		



SOURCE 1
SECONDARY CONNECTIONS

SOURCE 2
SECONDARY CONNECTIONS



1	GS-2212	REVISION
5	RM# GS-2823 UPDATED SHEET 3 T. HUMMER 02/19/07 A. MULEY 05/18/07	
6	RM# GS-3120 OPTION 3H CONTACT WIRED TO KV-13 AND OPTION 2H CONTACT WIRED TO KV-24 A. MULEY 05/18/07	
7	RM# GS-3226 SEE SHEET 1 & SHEET 2 AND CHANGED TITLE BLOCK A. MULEY 05/18/07 D. UNDERWOOD	
8	RM# GS-3387 FOLLOWING CHANGED: S1-1 TO SOURCE 1 CØ S1-3 TO SOURCE 1 CØ A. MULEY 07/08/07 D. UNDERWOOD	
9	RM# GS-3770 ADDED ZONE INTERLOCK A. MULEY 12/18/07 D. UNDERWOOD	
10	RM# GS-3864 ADDED OPTION 49A (ISOLATION TRANSFORMER) ADDED OPTION 80A (S2 INHIBIT) & OPTION 81A (ALARM) A. MULEY 03/18/08 D. UNDERWOOD	
11	RM# GS-3972 UPDATE OPTION 6 SWITCH TRUTH TABLE - ADD "X" TERM. 3-4 IN "TEST POSITION, AND DELETE TERM. 9-10 A. MULEY 04/29/08 UNDERWOOD 04/29/08	
12	RM# GS-4044 ADDED OPTION 41E 375W SPACE HEATER REMOVED OPTION 41C A. MULEY 06/19/08 D. UNDERWOOD	
13	RM# GS-4206 REVISED OPTION 16E, 16N, 16B, REVISED POSITION CONTACTS FOR ATS & BYPASS BREAKER REVISED NT1/ET1 TRANSFORMERS A. MULEY 07/17/08 D. UNDERWOOD	

THE INFORMATION ON THIS DOCUMENT WAS CREATED BY CUTLER-HAMMER. IT WAS DISCLOSED IN CONFIDENCE AND IS ONLY TO BE USED FOR THE PURPOSE IN WHICH IT WAS SUPPLIED.		DFTIR INFANTOZZI	DATE 08/27/2004	EATON Cutler-Hammer	
		APPD LATHROP	DATE 08/24/2004	TITLE AUTOMATIC TRANSFER SWITCH ATVMG AND CTVMG (A-D) FIXED MAGNUM ATS	
		S.O.		TYPE WIRING DIAGRAM	
FEDERAL ID NO. 88725	PRODUCT CODE	REVISION 13	G.O.	DWG 5724B74	SHEET 3 OF 3