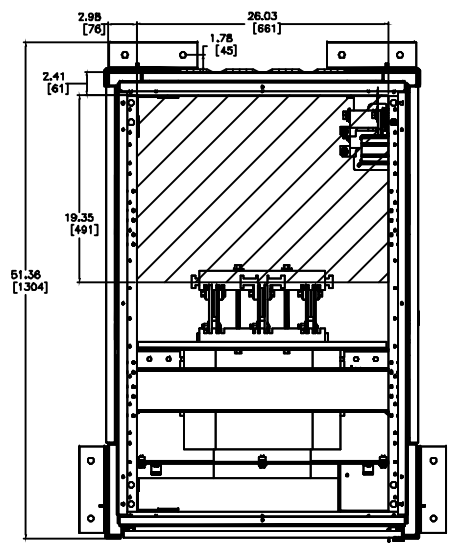
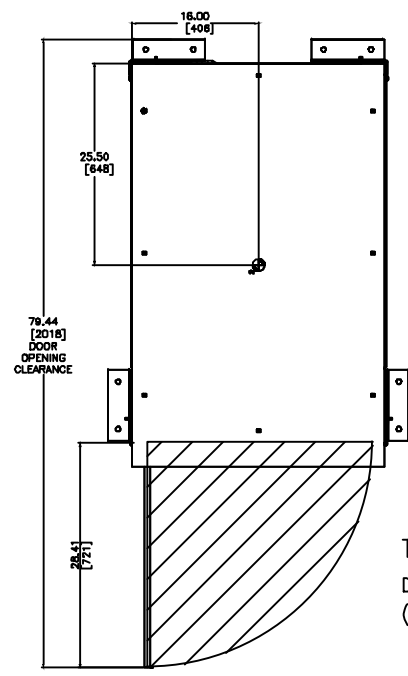


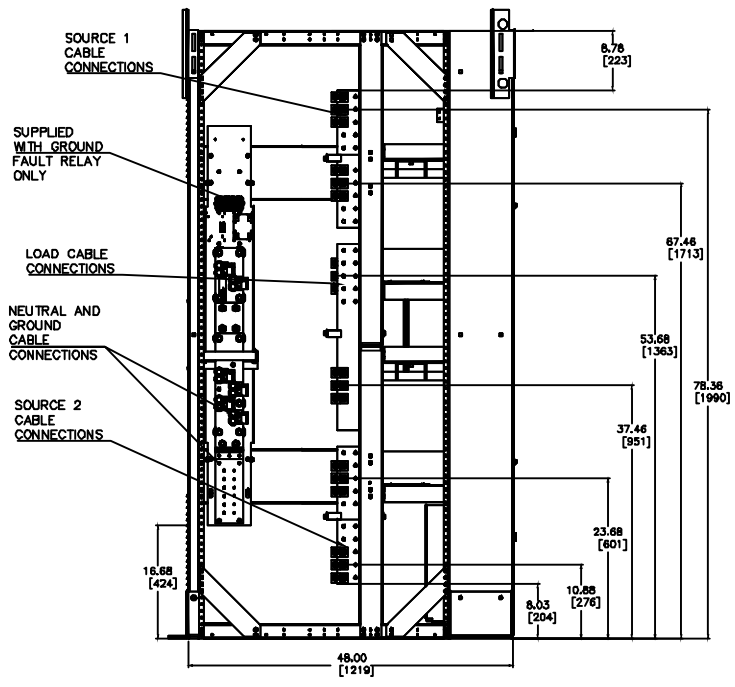
PLAN VIEW



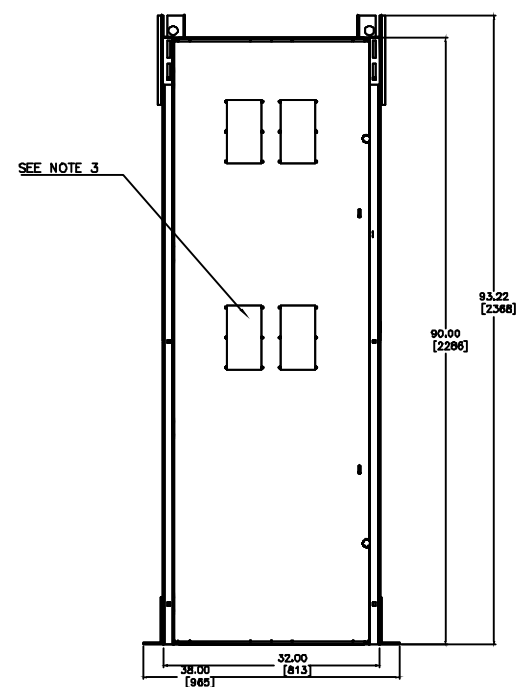
TOP VIEW
CABLE ENTRY AREA
(CROSSHATCHED)



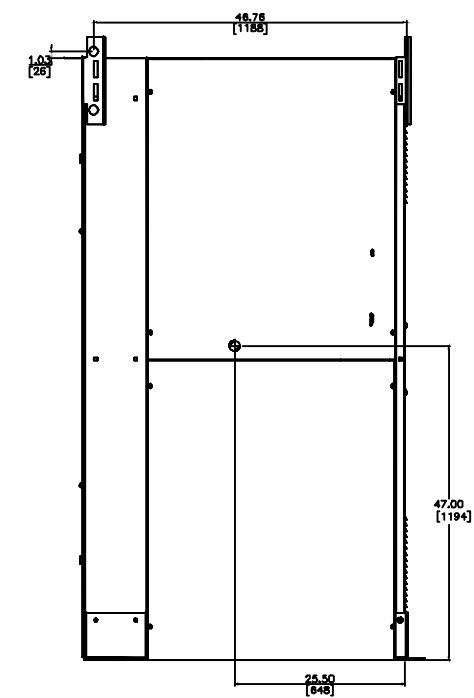
TOP VIEW
DOOR OPENING AREA
(CROSSHATCHED)



LEFT SIDE VIEW (WITH PANELS REMOVED)



FRONT VIEW



RIGHT SIDE VIEW

ATVMGA3200XSU

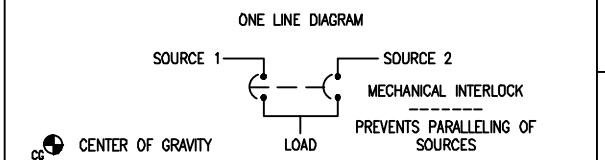
AUTOMATIC TRANSFER (FIXED) BREAKER SWITCH
ATC-600 CONTROL, MAGNUM BREAKER
S1 (PCS) S2 (PCS) FIXED MOUNTED
3 POLE, 2000 AMPS
480/277V 60HZ, 3 PHASE, 4 WIRE
TYPE-1 BEHIND ENCLOSURE, UL 1008 LISTED

FEATURES INCLUDED:

- 1A TIME DELAY NORMAL TO EMERGENCY ADJ 0-1800 sec
- 2A TIME DELAY ENGINE START ADJ 0-120 sec
- 3A TIME DELAY EMERGENCY TO NORMAL ADJ 0-1800 sec
- 4A TIME DELAY ENGINE COOL-OFF ADJ 0-1800 sec
- 5H EMERGENCY (S2) SENSING PHASE REVERSAL
- 5J EMERGENCY (S2) SENSING ALL PHASE UNDERVOLTAGE/UNDER FREQ
- 5K EMERGENCY (S2) SENSING ALL PHASE OVERVOLTAGE/OVER FREQ
- 5L EMERGENCY (S2) SENSING ALL PHASE VOLTAGE UNBALANCE & PHASE LOSS
- 6B ENGINE TEST PUSHBUTTON
- 6H MAINTAINED 4 POSITION TEST SWITCH
- 7A TIME DELAY ENGINE FAIL ADJ 0-6 sec
- 8C TIME DELAY BYPASS EMERGENCY TO NORMAL
- 8D TIME DELAY BYPASS NORMAL TO EMERGENCY
- 9B MAINTENANCE SELECTOR SWITCH ISOLATES ELEC. OP.
- 10B SOURCE SELECTOR-UTILITY TO UTILITY OR UTILITY TO GENERATOR
- 10D SOURCE SELECTOR-GENERATOR TO GENERATOR
- 12C LED INDICATION NORMAL (S1) CONNECTED
- 12D LED INDICATION EMERGENCY (S2) CONNECTED
- 12G LED INDICATION NORMAL (S1) AVAILABLE
- 12H LED INDICATION EMERGENCY (S2) AVAILABLE
- 14E AUX RELAY CONTACTS NORMAL (S1) AVAILABLE 1 FORM C
- 14F AUX RELAY CONTACTS EMERGENCY (S2) AVAILABLE 1 FORM C
- 15E POSITION INDICATION CONTACT NORMAL (S1) AVAILABLE 1 FORM C
- 15F POSITION INDICATION CONTACT EMERGENCY (S2) AVAILABLE 1 FORM C
- 23J PLANT EXERCISER 7 DAY LOAD/NO LOAD 0-600 min
- 26D GO TO EMERGENCY (S2) INPUT
- 26H NORMAL (S1) SENSING PHASE REVERSAL
- 26J NORMAL (S1) SENSING ALL PHASE UNDERVOLTAGE/UNDER FREQ
- 26K NORMAL (S1) SENSING ALL PHASE OVERVOLTAGE/OVER FREQ
- 26L NORMAL (S1) SENSING ALL PHASE VOLTAGE UNBALANCE & PHASE LOSS
- 29G SELECTABLE AUTOMATIC OR NON-AUTOMATIC OPERATION
- 29J SELECTABLE AUTOMATIC OR NON-AUTOMATIC TRANSFER w/FAILSAFE
- 32A TIME DELAY NEUTRAL ADJUSTABLE 0 - 120 sec
- 35A PRETRANSFER SIGNAL CONTACTS 1 FORM C
- 36 LOAD SHED FROM EMERGENCY (S2) INHIBIT
- 38A STAINLESS STEEL COVER FOR DEVICE PLATE OR SE DISCONNECT
- 41E 375 WATT SPACE HEATER WITH THERMOSTAT
- 42 IBC/CBC SEISMIC QUALIFIED
- 45A LOAD SEQUENCING CONTACTS (1)
- 48A COMMUNICATIONS IPON
- 48R REMOTE ANNUNCIATOR
- 49C MULTI-TAP VOLTAGE TRANSFORMER
- 59A SILVER PLATED BUS
- 80A EMERGENCY (S2) INHIBIT CONTACT
- 81A GENERAL ALARM INDICATION CONTACT

REQUIRED FOR SEISMIC, RECOMMENDED FOR ALL APPLICATIONS:
USE 8, 1/2-13 UNC GRADE 5 OR BETTER HEX HEAD BOLTS AND WASHERS.
THESE BOLTS ARE TO BE TORQUED TO 50 FT. LBS. (68 NM).

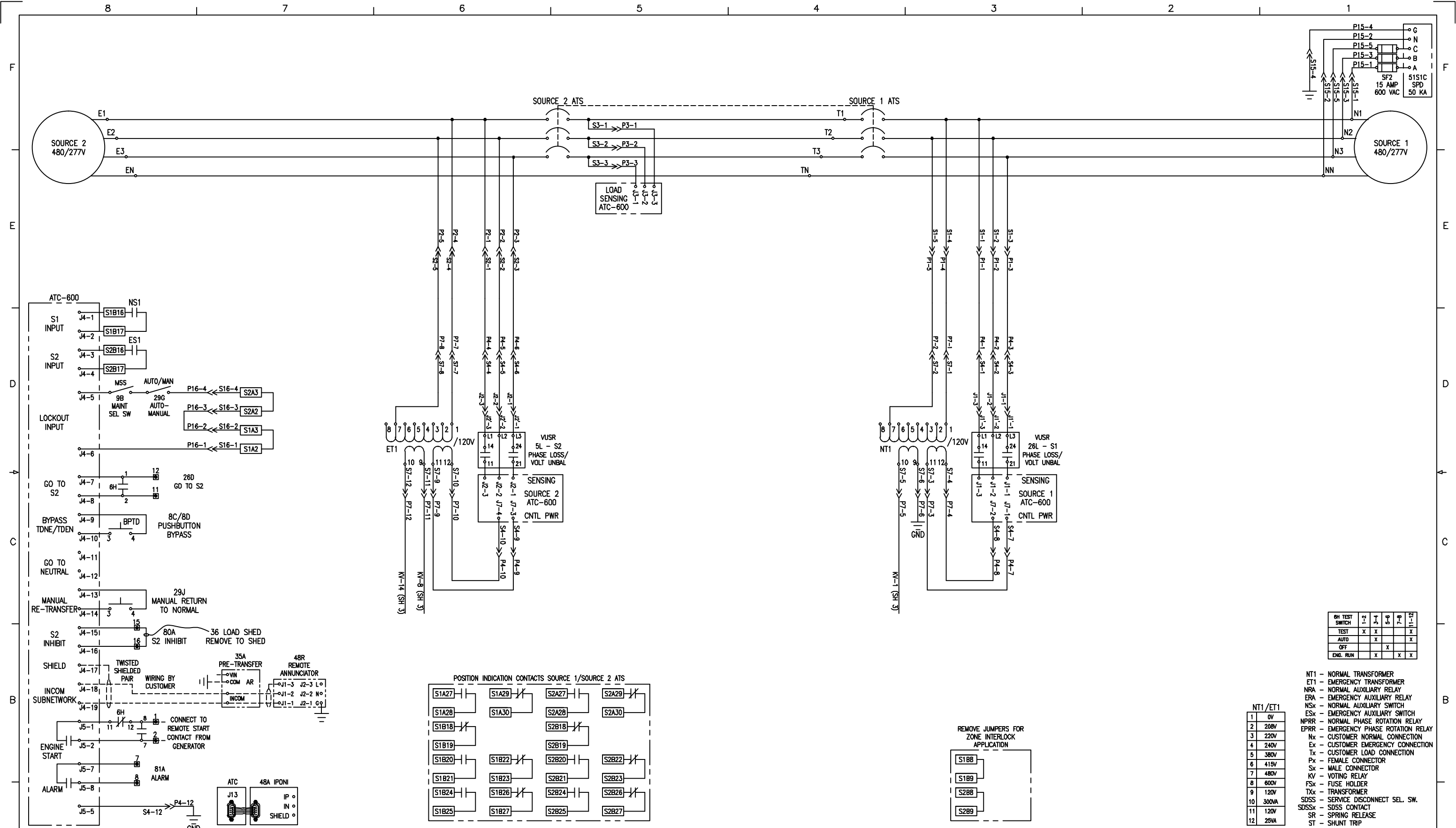
NOTES:
1 APPROXIMATE SHIPPING WEIGHT = 1050 LBS [477 KG]
2 DIMENSIONS SHOWN IN INCHES [MILLIMETERS] NOT TO SCALE
3 AUTOMATIC, NON-AUTOMATIC, AND SERVICE ENTRANCE CONTROLS PROVIDED BASED ON CUSTOMER ORDER INFORMATION.



01	REVISION
----	----------

DFTR JODY GRABOWSKI	DATE 9/16/2010
APPD	DATE

THE INFORMATION ON THIS DOCUMENT WAS CREATED BY EATON CORPORATION. IT WAS DISCLOSED IN CONFIDENCE AND IS ONLY TO BE USED FOR THE PURPOSE IN WHICH IT WAS SUPPLIED.		
TITLE AUTOMATIC TRANSFER (FIXED) BREAKER SWITCH 600V OT 200-2000 AMP ATC-600 CONTROLLER		
FEDERAL ID NO. 88725	S.O. T5730915G001	TYPE ATVMGA3200XSU FIXED MOUNT OUTLINE
PRODUCT CODE AT	REVISION 01	G.O. -
DWG MAGNUM ATS 01		SHEET 1 OF 3

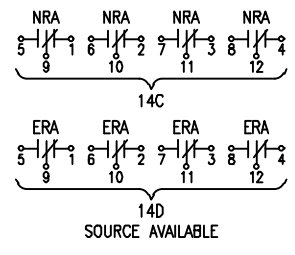
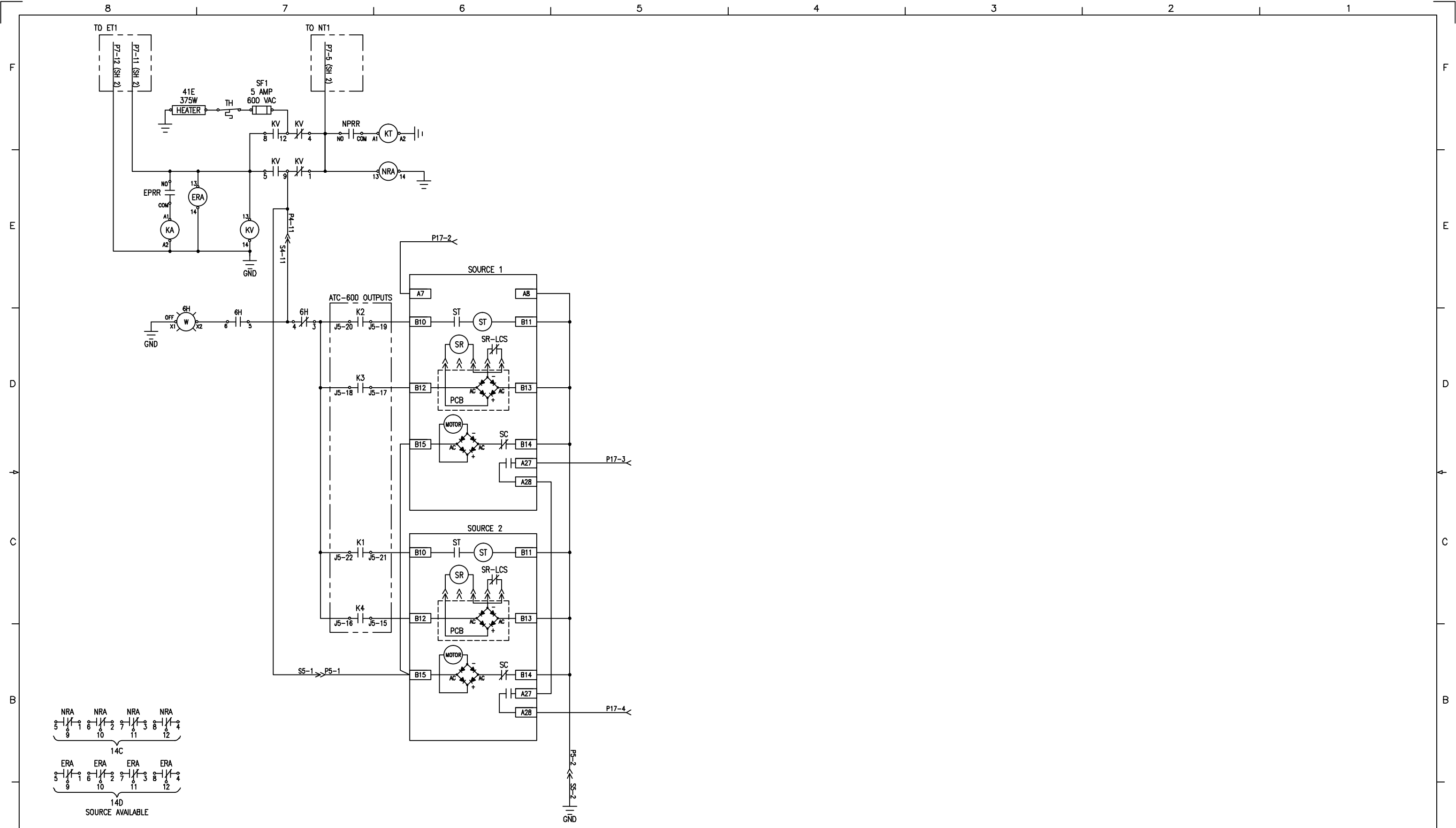


6H TEST SWITCH	1	2	3	4	5	6	7	8
TEST	X	X	X	X	X	X	X	X
AUTO			X					
OFF				X				
END. RUN			X	X	X	X	X	X

NT1/ET1	
1	0V
2	208V
3	220V
4	240V
5	380V
6	415V
7	480V
8	600V
9	120V
10	300VA
11	120V
12	25VA

- NT1 - NORMAL TRANSFORMER
- ET1 - EMERGENCY TRANSFORMER
- NRA - NORMAL AUXILIARY RELAY
- ERA - EMERGENCY AUXILIARY RELAY
- NSx - NORMAL AUXILIARY SWITCH
- ESx - EMERGENCY AUXILIARY SWITCH
- NPRR - NORMAL PHASE ROTATION RELAY
- EPRR - EMERGENCY PHASE ROTATION RELAY
- Nx - CUSTOMER NORMAL CONNECTION
- Ex - CUSTOMER EMERGENCY CONNECTION
- Tx - CUSTOMER LOAD CONNECTION
- Px - FEMALE CONNECTOR
- Sx - MALE CONNECTOR
- KV - VOTING RELAY
- FSx - FUSE HOLDER
- TXx - TRANSFORMER
- SDSS - SERVICE DISCONNECT SEL. SW.
- SDSSx - SDSS CONTACT
- SR - SPRING RELEASE
- ST - SHUNT TRIP

01 REVISION		DFTR JODY GRABOWSKI	DATE 9/16/2010	THE INFORMATION ON THIS DOCUMENT WAS CREATED BY EATON CORPORATION. IT WAS DISCLOSED IN CONFIDENCE AND IS ONLY TO BE USED FOR THE PURPOSE IN WHICH IT WAS SUPPLIED.		
		APPD	DATE	EATON		
	FEDERAL ID NO. 88725	S.O.	T5730915G001	TITLE AUTOMATIC TRANSFER (FIXED) BREAKER SWITCH 600V OT 200-2000 AMP ATC-600 CONTROLLER		
	PRODUCT CODE AT	REVISION 01		TYPE ATVINGA32000XSU	FIXED MOUNT	SCHEMATIC
			G.O.	DWG MAGNUM ATS S1	SHEET 2 OF 3	



01
REVISION

DFTR JODY GRABOWSKI		DATE 9/16/2010	THE INFORMATION ON THIS DOCUMENT WAS CREATED BY EATON CORPORATION. IT WAS DISCLOSED IN CONFIDENCE AND IS ONLY TO BE USED FOR THE PURPOSE IN WHICH IT WAS SUPPLIED.	
APPD		DATE	TITLE AUTOMATIC TRANSFER (FIXED) BREAKER SWITCH 600V OT 200-2000 AMP ATC-600 CONTROLLER	
FEDERAL ID NO. 88725	S.O. T5730915G001	TYPE ATVINGA32000XSU	FIXED MOUNT	SCHEMATIC
PRODUCT CODE AT	REVISION 01	G.O. -	DWG MAGNUM ATS S2	SHEET 3 OF 3