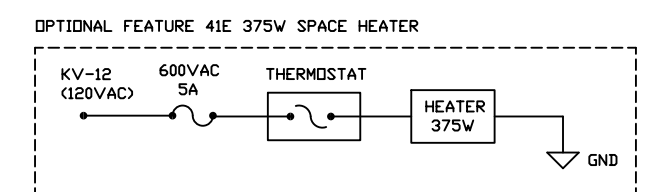
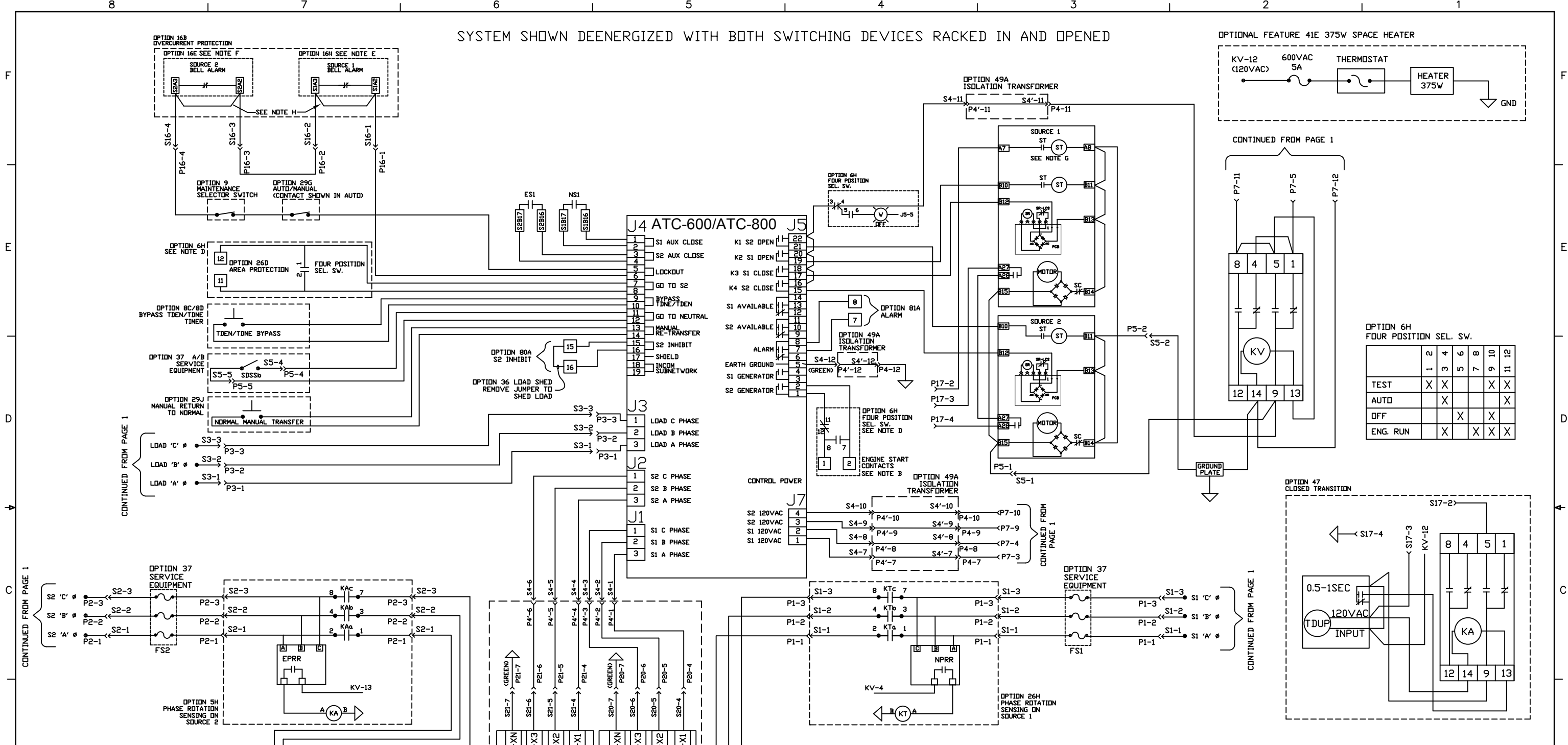


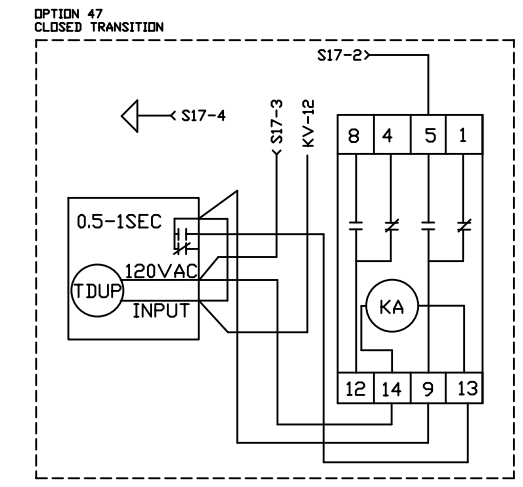
A	1	GS-2212	REVISION	5	RN# GS-3227 OPTION 5H CONTACT WIRED TO KV-13 AND OPTION 26H CONTACT WIRED TO KV-4. LOCATION OF GROUND AND TERMINAL NUMBER CHANGED FOR OPTION 16E, 16N, 16B FOR SOURCE-2. TERMINAL NUMBERS CHANGED FOR NPPR, EPFR (OPTION 5H, 26H). CHANGED THE FIXED TYPE BREAKERS TO DRAWOUT TYPE.	6	RN# GS-3366 FOLLOWING CHANGED: S1-1 TO N1 S1-3 TO N3	7	A. MULEY 07/06/07 D. UNDERWOOD	8	RN# GS-3720 ADDED ZONE INTERLOCK & SEE SHEET 2	9	A. MULEY 12/18/07 D. UNDERWOOD	10	RN# GS-3739 SEE SHEET 2 & 3	11	A. MULEY 01/08/08 D. UNDERWOOD	12	RN# GS-3864 ADDED OPTION 49A (ISOLATION TRANSFORMER) ADDED OPTION 80A (S2 INHIBIT) & OPTION 81A (ALARM)	13	A. MULEY 03/18/08 D. UNDERWOOD	14	RN# GS-3972 UPDATE OPTION 6 SWITCH TRUTH TABLE - ADD "X" TERM. 3-4 IN "TEST POSITION. AND DELETE TERM. 9-10 UNDERWOOD 04/29/08	15	A. MULEY 04/29/08 D. UNDERWOOD	16	RN# GS-4044 ADDED OPTION 41E 375W SPACE HEATER REMOVED OPTION 41C	17	A. MULEY 06/19/08 D. UNDERWOOD	18	RN# GS-4206 REVISED OPTION 16E, 16N, 16B. REVISED POSITION CONTACTS FOR ATS & BYPASS BREAKER REVISED NT1/ET1 TRANSFORMERS	19	A. MULEY 07/17/08 D. UNDERWOOD	20	THE INFORMATION ON THIS DOCUMENT WAS CREATED BY CUTLER-HAMMER. IT WAS DISCLOSED IN CONFIDENCE AND IS ONLY TO BE USED FOR THE PURPOSE IN WHICH IT WAS SUPPLIED.	21	DFTR INFANTOZZI APPD LATHROP S.O.	22	DATE 08/27/2004 DATE 08/27/2004	23	TITLE AUTOMATIC TRANSFER SWITCH ATVMG AND CTVMG (E-H) DRAWOUT MAGNUM ATS	24	TYPE WIRING DIAGRAM	25	REVISION 12	26	G.O.	27	DWG 5724B75	28	SHEET 1 OF 3	A
---	---	---------	----------	---	--	---	---	---	-----------------------------------	---	---	---	-----------------------------------	----	--------------------------------	----	-----------------------------------	----	--	----	-----------------------------------	----	---	----	-----------------------------------	----	--	----	-----------------------------------	----	--	----	-----------------------------------	----	--	----	---	----	------------------------------------	----	--	----	---------------------	----	-------------	----	------	----	-------------	----	--------------	---

SYSTEM SHOWN DEENERGIZED WITH BOTH SWITCHING DEVICES RACKED IN AND OPENED



OPTION 6H FOUR POSITION SEL. SW.

	1	2	3	4	5	6	7	8	9	10	11	12
TEST	X	X							X	X		
AUTO			X								X	
OFF				X					X	X		
ENG. RUN	X				X	X	X				X	



LEGEND & NOTES

EPRR - EMERGENCY PHASE ROTATION RELAY
 ESx - EMERGENCY AUXILIARY SWITCH
 ETx - EMERGENCY TRANSFORMER
 Ex - EMERGENCY CUSTOMER CONNECTION
 NPRR - NORMAL PHASE ROTATION RELAY
 NSx - NORMAL AUXILIARY SWITCH
 NTx - NORMAL TRANSFORMER
 Nx - NORMAL CUSTOMER CONNECTION

KV - VOTING RELAY
 Px - FEMALE CONNECTOR
 Sx - MALE CONNECTOR
 SDSS - SERVICE DISCONNECT SELECTOR SWITCH
 SDSSx - SDSS CONTACT
 FSx - FUSE HOLDER
 SR - SPRING RELEASE
 ST - SHUNT TRIP

NOTE A: PHASE CONNECTIONS TO IO ARE ON LOAD SIDE OF FSx IF SERVICE EQUIPMENT OTHERWISE, CONNECTED TO MAIN TERMINALS

NOTE B: TERMINALS ARE TO BE CONNECTED TO REMOTE START CONTACT FROM GENERATOR. CONNECT TO J5-1 AND J5-2 ON CONTROLLER. INCLUDED W/ DRAWOUT VERSION ONLY.

NOTE C: NEUTRAL SWITCHED ON 4 POLE DEVICE

NOTE D: TERMINALS 1, 2, 11 AND 12 SUPPLIED WITH OPTION 6H ONLY

NOTE E: OPTION 16N- JUMPER FROM P16-2 TO P16-3 IS REMOVED. WIRE FROM P16-4 MOVED TO P16-2

NOTE F: OPTION 16E- JUMPER FROM P16-2 TO P16-3 IS REMOVED. WIRE FROM P16-1 MOVED TO P16-3

NOTE G: SUPPLIED WITH CLOSED TRANSITION ONLY

NOTE H: JUMPERS ADDED WHEN OPTION 16 NOT INSTALLED AND OPTION 9 AND/OR 29G ARE INSTALLED

GS-2212	1	REVISION	DATE	DFTR	APPD	S.O.	TITLE AUTOMATIC TRANSFER SWITCH ATVIMG AND CTVIMG (E-H) DRAWOUT MAGNUM ATS	DWG 5724B75	SHEET 2 OF 3
	5	OPTION 5H CONTACT WIRED TO KV-13 AND OPTION 26H CONTACT WIRED TO KV-4. LOCATION OF GROUND AND TERMINAL NUMBER CHANGED FOR OPTION 16E, 16N, 16B FOR SOURCE-2. TERMINAL NUMBERS CHANGED FOR NPRR, EPRR (OPTION 5H, 26H), CHANGED FIXED TYPE BREAKERS TO DRAWOUT TYPE.	08/27/2004	INFANTOZZI	LATHROP				
6	A. MULEY 06/05/07 D. UNDERWOOD	8	OPTION 5H PHASE ROTATION SENSING ON SOURCE 2.	08/27/2004			WIRING DIAGRAM		
7	A. MULEY 07/06/07 D. UNDERWOOD	9	ADDED OPTION 49A (ISOLATION TRANSFORMER) ADDED OPTION 80A (S2 INHIBIT) & OPTION 81A (ALARM)						
8	RN# GS-3739 UPDATED CELL SW. TERMINALS ON SHEET 2 & 3	10	UPGRADE OPTION 6 SWITCH TRUTH TABLE - ADD 'X' TERM. 3-4 IN 'TEST' POSITION. AND DELETE TERM. 9-10						
9	A. MULEY 01/08/08 D. UNDERWOOD	11	ADDED OPTION 41E 375W SPACE HEATER REMOVED OPTION 41C						
10	A. MULEY 03/18/08 D. UNDERWOOD	12	REVISED OPTION 16E, 16N, 16B. REVISED POSITION CONTACTS FOR ATS & BYPASS BREAKER REVISED NT1/ET1 TRANSFORMERS						
11	RN# GS-4044 ADDED OPTION 41E 375W SPACE HEATER REMOVED OPTION 41C								
12	A. MULEY 06/19/08 D. UNDERWOOD								

THE INFORMATION ON THIS DOCUMENT WAS CREATED BY CUTLER-HAMMER. IT WAS DISCLOSED IN CONFIDENCE AND IS ONLY TO BE USED FOR THE PURPOSE IN WHICH IT WAS SUPPLIED.

FEDERAL ID NO. 88725 PRODUCT CODE REVISION 12 G.O. DWG 5724B75 SHEET 2 OF 3

