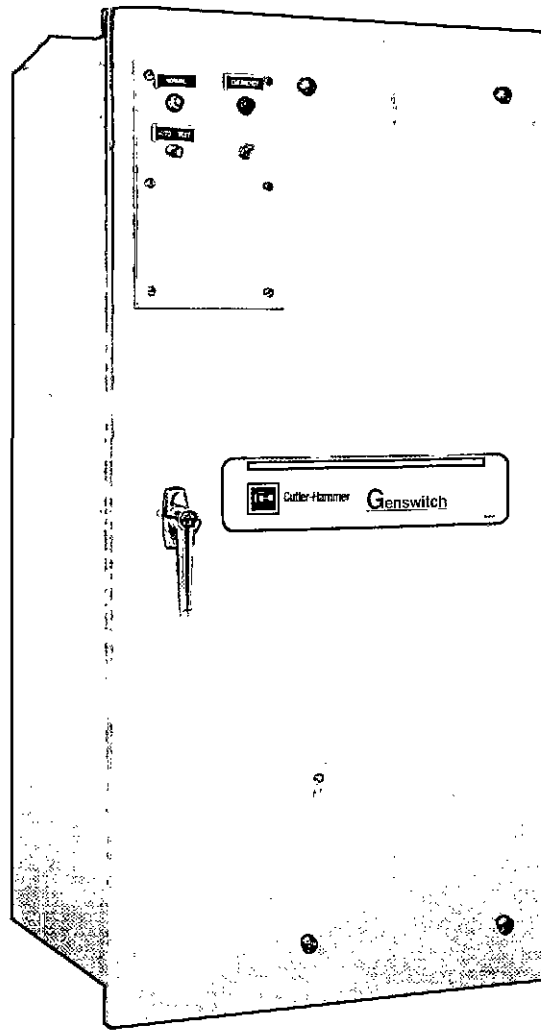


GENSWITCH 30-1000 AMPERES



PRODUCT DESCRIPTION

An economical line of transfer switches with micro-processor based logic, offering a standard feature package, for basic standby power applications on 30-1000 ampere systems up to 600 volts, 2, 3 or 4 pole.

STANDARD FEATURES

- UL 1008 Listed
- Microprocessor Based Logic
- Vertical In-Line Mechanism
- Multi-Tap Voltage Selector
- Normal/Standby Source Monitoring
- Group 9 (see below for description)
- Plant Exerciser with Fail Safe (Programmable)
- High Withstand, Closing, and Interrupting Ratings
- Manual Transfer Under Load
- Engine Start Contacts

FEATURE GROUP 9

- Time Delay Normal to Emergency
- Time Delay Engine Start
- Time Delay Emergency to Normal
- Time Delay Engine Cooldown
- Emergency Source Sensing
- Pilot Light – Normal
- Pilot Light – Emergency
- Auxiliary Contacts (4NO/4NC) – Normal
- Auxiliary Contacts (4NO/4NC) – Emergency

OPTIONAL FEATURES

- Time Delay Neutral
- NEMA 3R Enclosure
- NEMA 12 Enclosure
- Pretransfer Signal Contacts (2NO/2NC)
- Go To Emergency Contact (Area Protection)

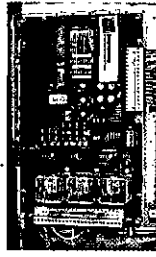


Cutler-Hammer

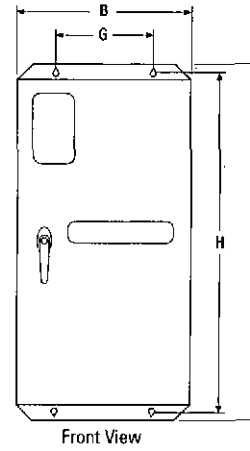
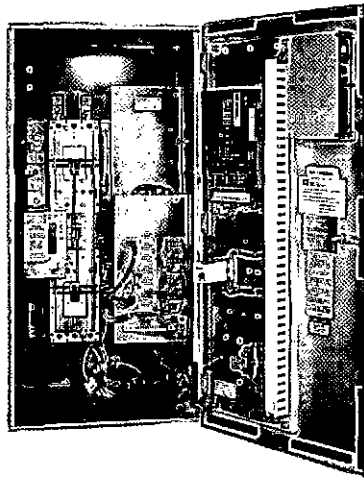
EATON

GENSWITCH

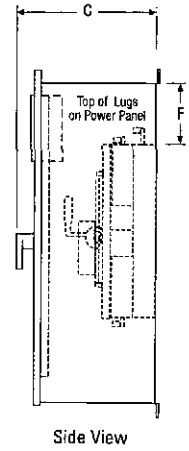
30-1000 AMPERES



Interior of ATMVKDA20150WSU
(deadfront removed)



Front View



Side View

Switch Type	Power Panel			Enclosure			Gutter Space			Bolt Pattern	
	H (In.)	W (In.)	D [⊙] (In.)	H (In.)	W (In.)	D [⊙] (In.)	W (In.)	D (In.)	Bend. (In.)	Horiz. (In.)	Vert. (In.)
				A	B	C	D	E	F	G	H
FD (30-150A)	11.00	17.00	6.81	44	21	18.13	21	14.5	4	11.00	42.86
KD (150-225A)	24.50	11.88	17.5	44	21	19.63	8	4.00	6	11.00	42.86
KD (300A)	24.50	11.88	17.5	52	21	19.63	8	4.00	9	11.00	50.86
LD (400A)	26.00	16.88	17.5	61	26	19.63	8	4.00	11	16.00	59.86
MA (600A)	36.25	16.88	17.5	73	26	20.63	8	4.75	12	16.00	71.86
NB (800A)	36.25	16.88	19.0	79	26	20.63	8	4.75	15	16.00	77.86
NB (1000A)	36.25	16.88	19.0	79	26	20.63	8	4.75	15	16.00	77.86

Logic Panel 38 in. H x 11 in. W x 6.5 in. D

Transformer Panel 22 in. H x 16.5 in. W x 6.5 in. D (30-150A)

28.63 in. H x 8.25 in. W x 5.5 in. D (150-1000A)

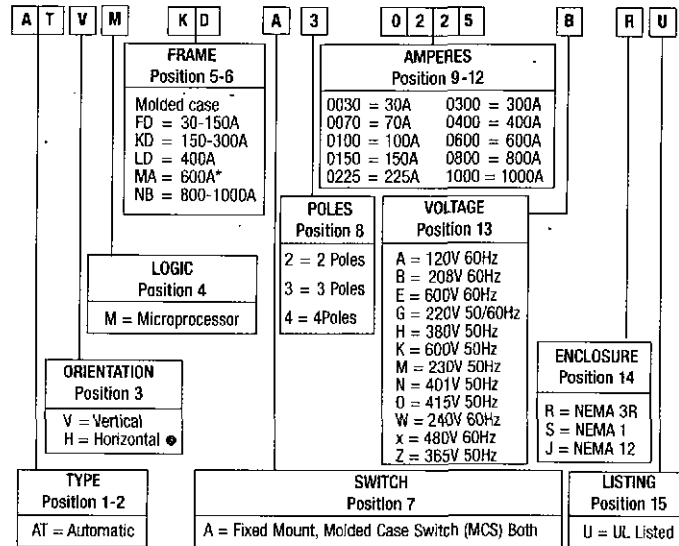
- ⊙ Depth includes the interior handle extended.
- ⊙ Enclosure depth includes the exterior (or door) handle.
- ⊙ 30-150 Amperes Only.

For example, to order the following:

Genswitch Automatic Transfer Switch, 480 Volts, 60 Hz, 3 phase, 4 wire, 3 pole, 600 amperes, NEMA 1 Enclosure; UL Listed

The ordering catalog sequence would be:
ATVMMAA30600XSU

CATALOG NUMBERS



* Use NB for 4-Pole 600A.

For more information on Cutler-Hammer products and services, call 1-800-525-2000 or 1-616-982-1059,
For engineering services call 1-800-498-2678, or visit our web site at www.cutlerhammer.com

Cutler-Hammer
Pittsburgh, Pennsylvania U.S.A.

Publication No. PA.15A.02.S.E
November 1998
Printed in U.S.A. / DLD2624

Copyright Cutler-Hammer Inc., 1998
All Rights Reserved

EATON



PA15A02SE