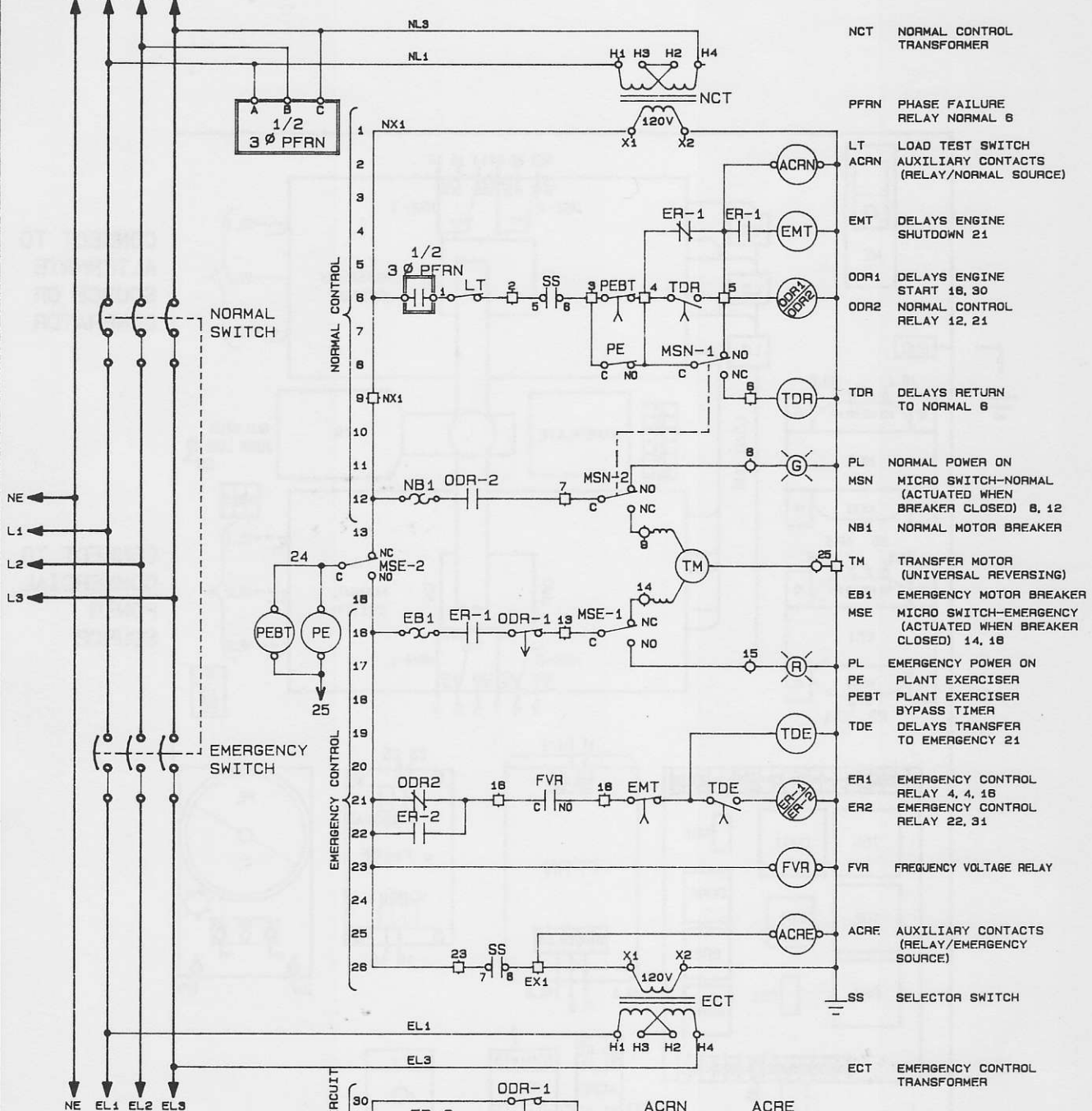


NORMAL SOURCE

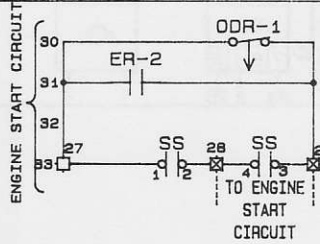
3 Ø 4WIRE

NE NL1 NL2 NL3



3 Ø 4WIRE
EMERGENCY
SOURCE

NE EL1 EL2 EL3



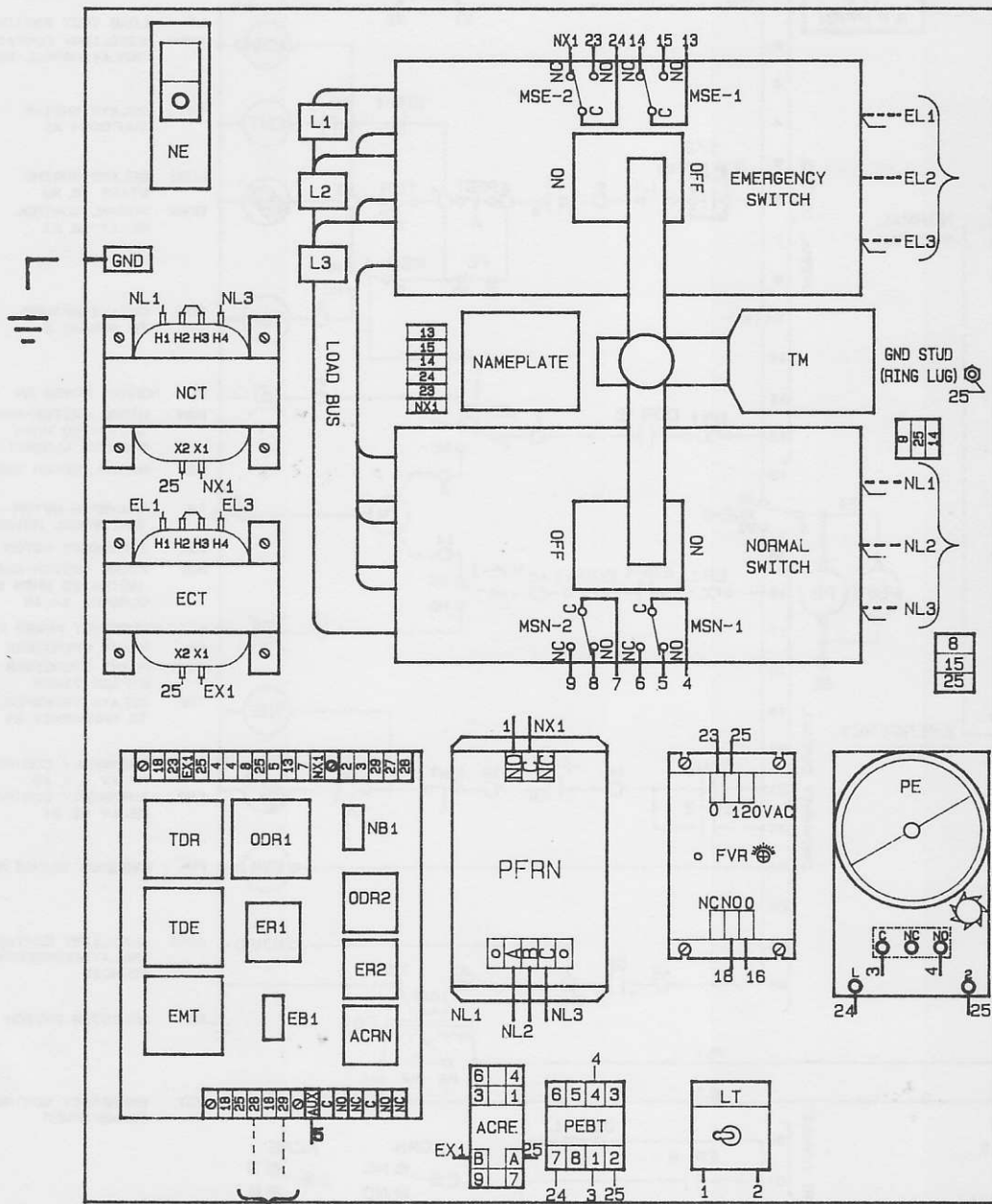
SS SELECTOR SWITCH	0°				90°				100°				270°			
	HAND	CRANK	TEST	AUTO	HAND	CRANK	TEST	AUTO	HAND	CRANK	TEST	AUTO	HAND	CRANK	TEST	AUTO
DECK 1	27	d	b ₂	28												
	27A	MS1	b ₂	28												
DECK 2	29	d	b ₄	28												
	2	d	b ₆	3												
DECK 3	23	d	b ₈	EX1												
	9	d	b ₁₀													
	11	d	b ₁₂													

LAKE SHORE ELECTRIC CORPORATION

Bedford, Ohio U.S.A.

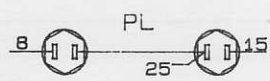
SCALE	NONE	REVISIONS	BY	DATE
DATE	032587			
DR'N	TZ	CKD		
AP'VD				
TITLE	STYLE T200 3Ø 4W 1744X P1 277/480 VAC 100-225 AMPS			NO. 07400-1

NOTE - ALL RELAYS SHOWN IN A DE-ENERGIZED STATE.



CONNECT TO
ALTERNATE
SOURCE OR
GENERATOR

CONNECT TO
COMMERCIAL
POWER
SOURCE



DOOR MOUNTED EQUIPMENT

