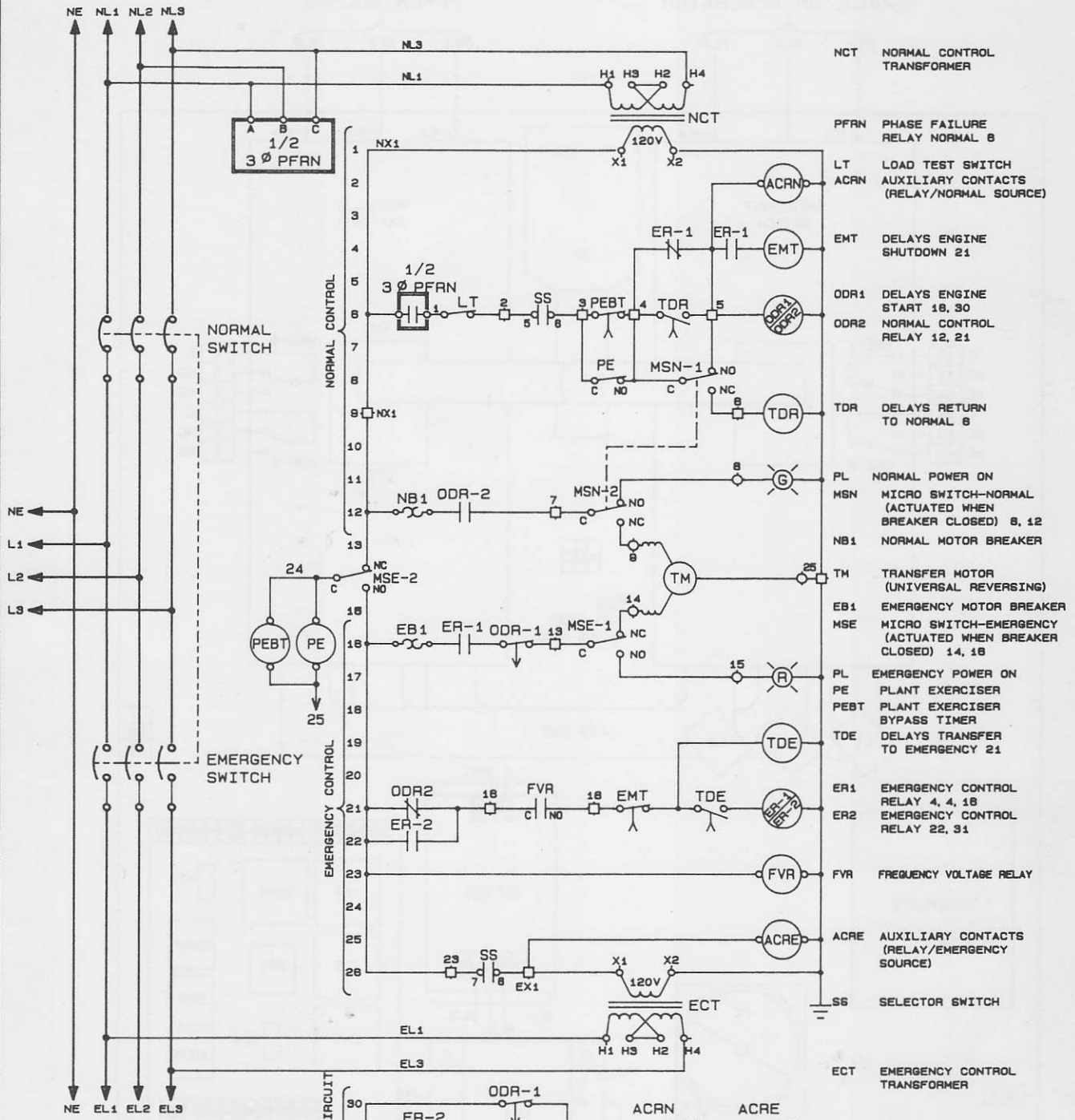


NORMAL SOURCE

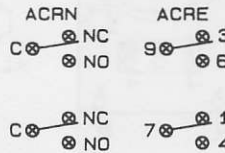
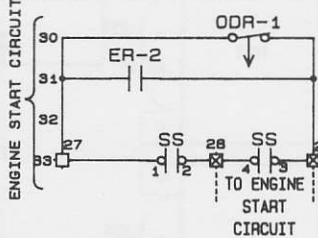
3 Ø 4WIRE



- NCT NORMAL CONTROL TRANSFORMER
- PFRN PHASE FAILURE RELAY NORMAL Ø
- LT LOAD TEST SWITCH
- ACRN AUXILIARY CONTACTS (RELAY/NORMAL SOURCE)
- EMT DELAYS ENGINE SHUTDOWN 21
- ODR1 DELAYS ENGINE START 18, 30
- ODR2 NORMAL CONTROL RELAY 12, 21
- TDR DELAYS RETURN TO NORMAL Ø
- PL NORMAL POWER ON
- MSN MICRO SWITCH-NORMAL (ACTUATED WHEN BREAKER CLOSED) 8, 12
- NB1 NORMAL MOTOR BREAKER
- TM TRANSFER MOTOR (UNIVERSAL REVERSING)
- EB1 EMERGENCY MOTOR BREAKER
- MSE MICRO SWITCH-EMERGENCY (ACTUATED WHEN BREAKER CLOSED) 14, 18
- PL EMERGENCY POWER ON
- PE PLANT EXERCISER
- PEBT PLANT EXERCISER BYPASS TIMER
- TDE DELAYS TRANSFER TO EMERGENCY 21
- ER1 EMERGENCY CONTROL RELAY 4, 4, 18
- ER2 EMERGENCY CONTROL RELAY 22, 31
- FVR FREQUENCY VOLTAGE RELAY
- ACRE AUXILIARY CONTACTS (RELAY/EMERGENCY SOURCE)
- SS SELECTOR SWITCH
- ECT EMERGENCY CONTROL TRANSFORMER

NOTE - ALL RELAYS SHOWN IN A DE-ENERGIZED STATE.

SS SELECTOR SWITCH		0°	90°	100°	270°
		HAND CRANK	TEST	AUTO	OFF
DECK 1	27 27A/MS1	d	p ₂	28	
	29	3d	p ₄	28	
DECK 2	2	5d	p ₆	3	
	23	7d	p ₈	EX1	
DECK 3	9d	p ₁₀			
	11d	p ₁₂			



LS

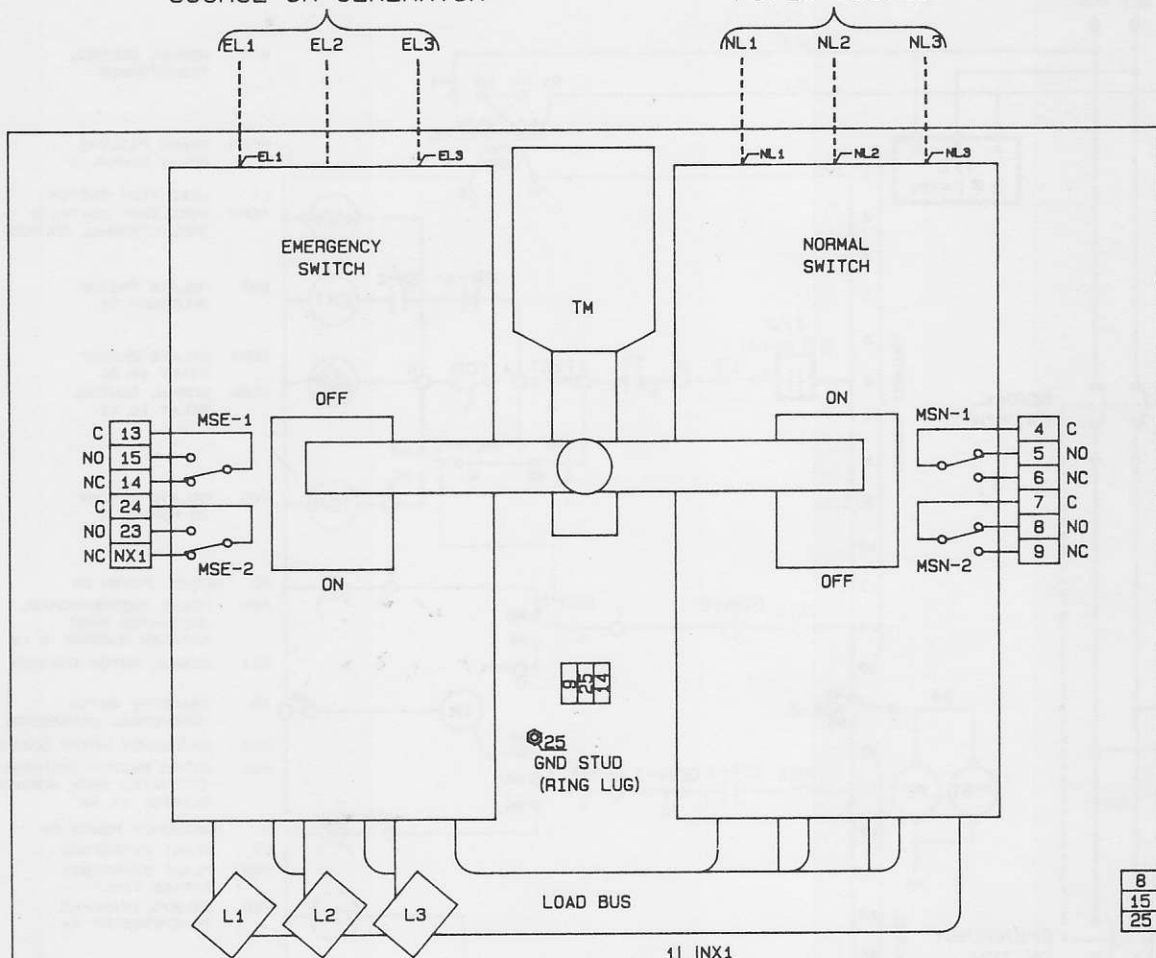
LAKE SHORE ELECTRIC CORPORATION

Bedford, Ohio U.S.A.

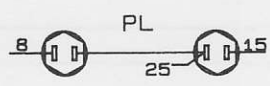
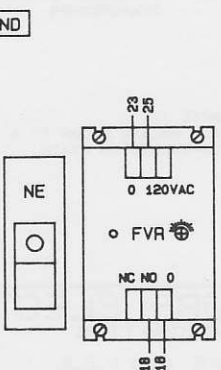
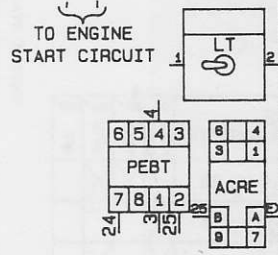
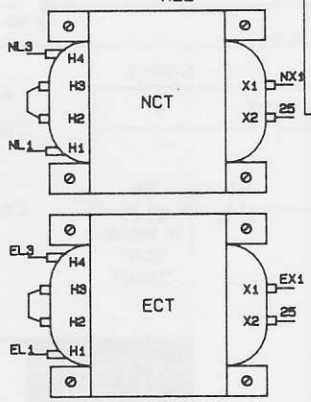
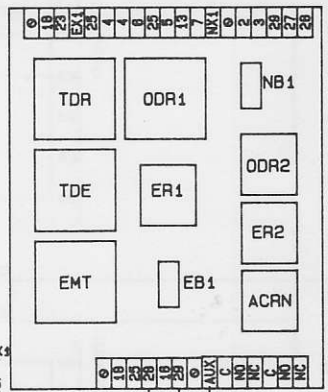
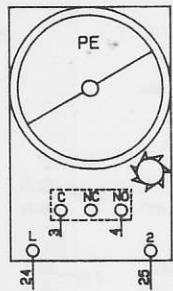
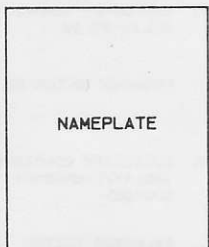
SCALE	NONE	REVISIONS	BY	DATE
DATE	032587			
DR'N	ZL CKD			
AP'VD				
TITLE	STYLE 2 3Ø 4W 1724X P1 277/480 VAC 225-1200 AMPS	NO.	07200-1	

CONNECT TO ALTERNATE SOURCE OR GENERATOR

CONNECT TO COMMERCIAL POWER SOURCE



8
15
25



DOOR MOUNTED EQUIPMENT

