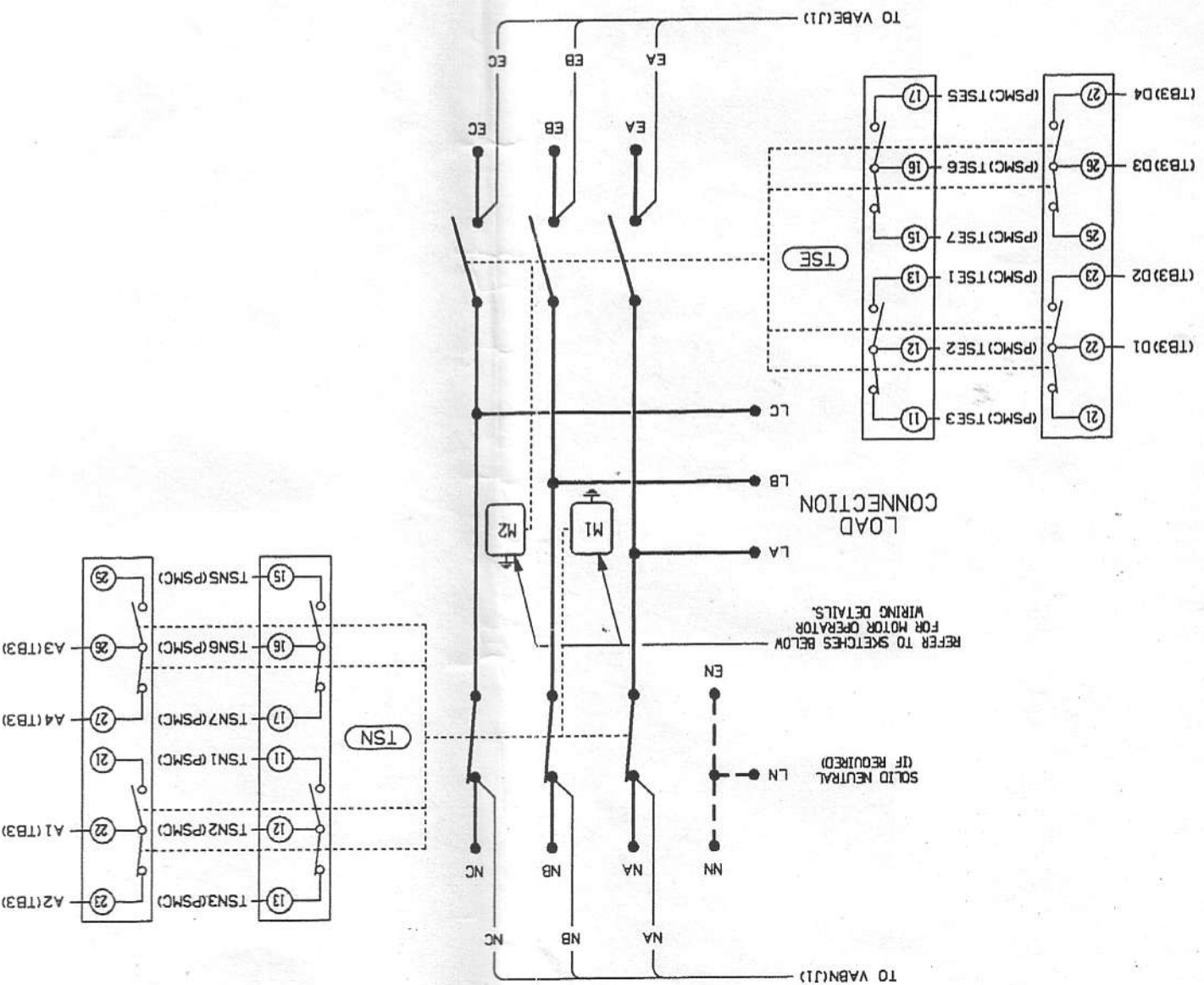


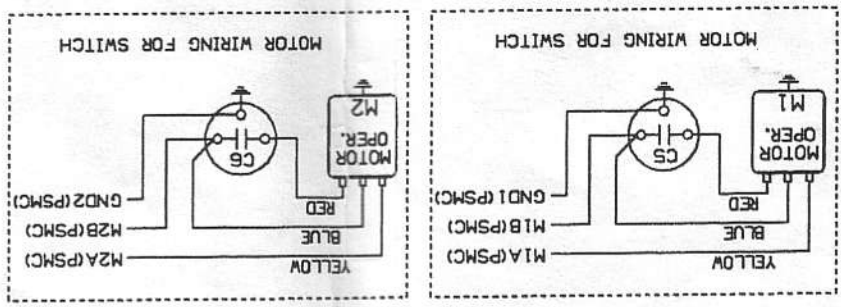
TR			EMERGENCY	X	SOLID
			LOAD		60
			NORMAL		4
					3
	NEUTRAL	PHASE	OTHER	STD	277/480
	LUG DATA				800
					8003CE

TRANSFER SWITCH SECTION

NORMAL SOURCE



EMERGENCY SOURCE



MOTOR WIRING FOR SWITCH

MOTOR WIRING FOR SWITCH

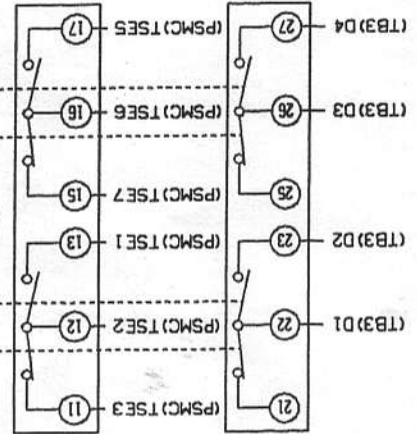
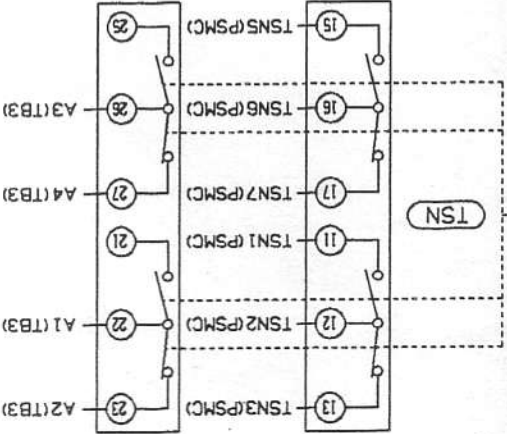
LOAD CONNECTION

REFER TO SKETCHES BELOW FOR MOTOR OPERATOR WIRING DETAILS.

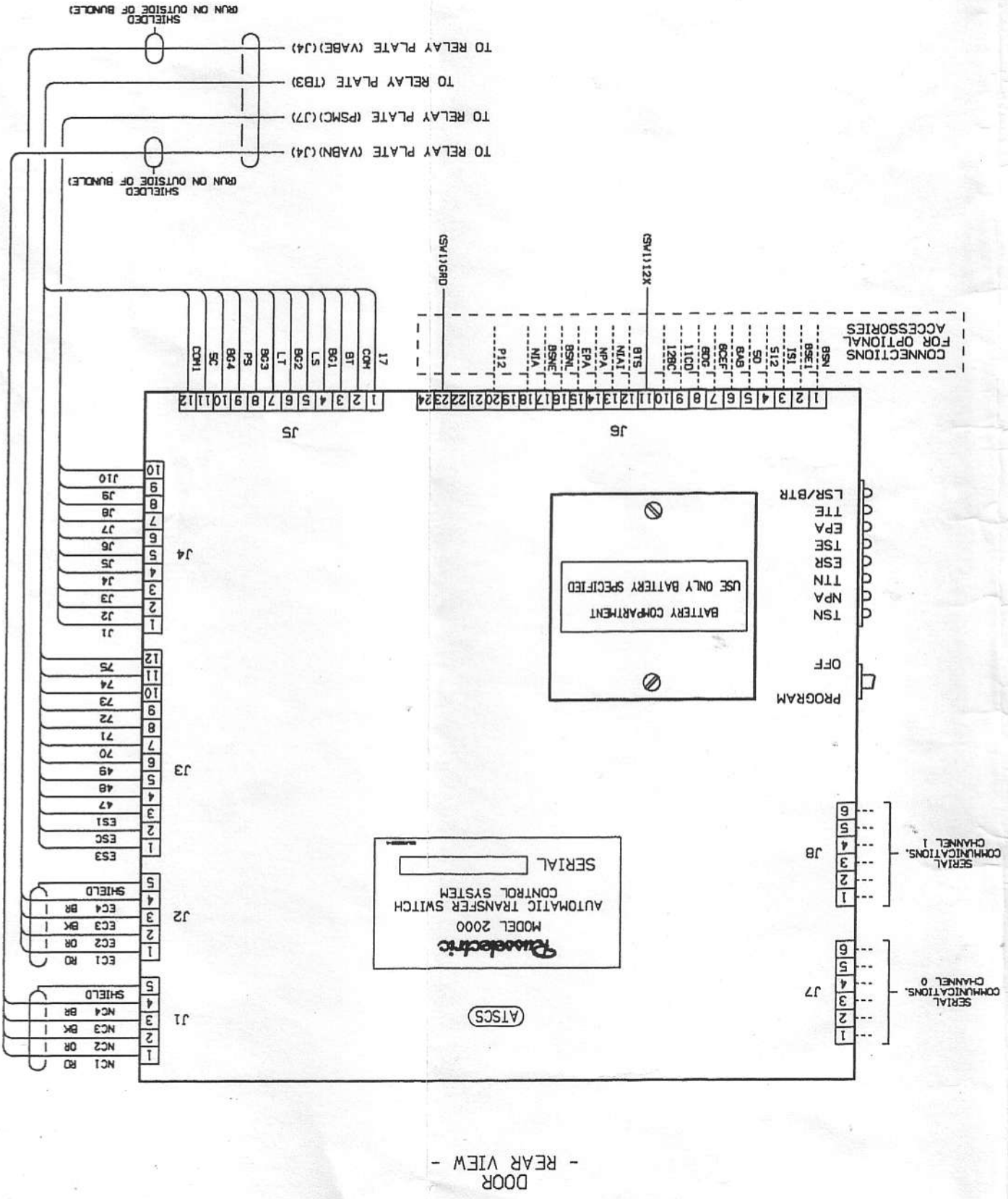
SOLID NEUTRAL (IF REQUIRED) LN

TSN

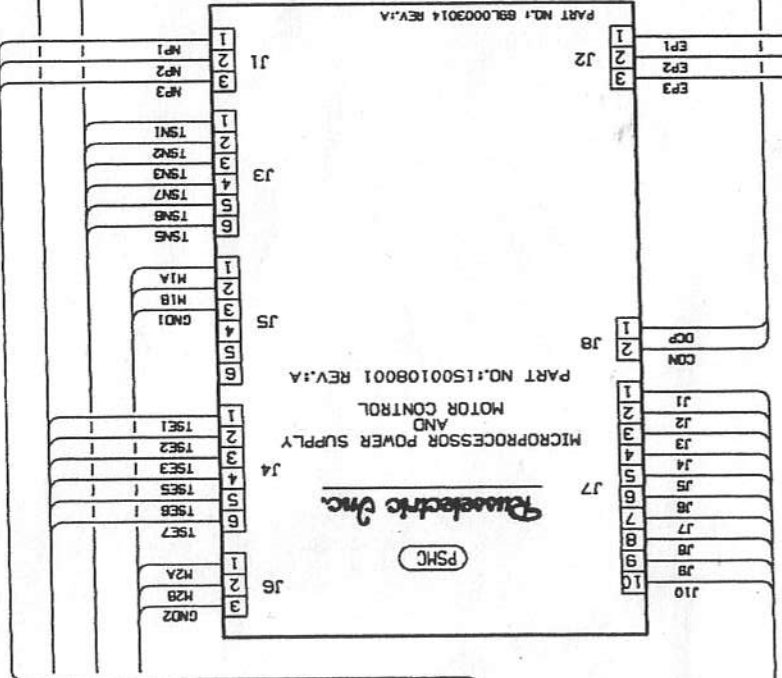
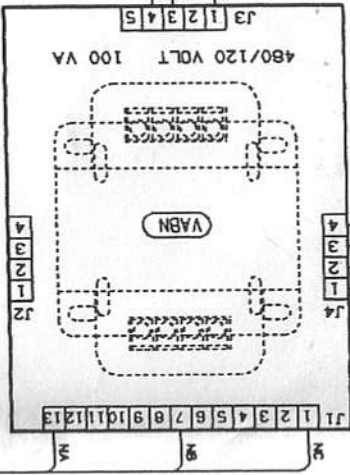
TSE



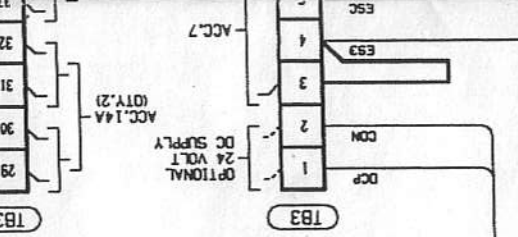
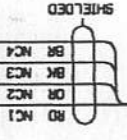
TITLE		MIRCOPROCESSOR		WIRING DIAGRAM	
RUSSELECTRIC INC.		SOUTH SHORE PARK, HINGHAM, MA. 02043		DWTM, CPM 5-13-99	
NO. 25641-1		CHKD.		APPD. MLC	
SHEET NO. 5		CONT'D. ON SHEET NO. 6		REV. 0	

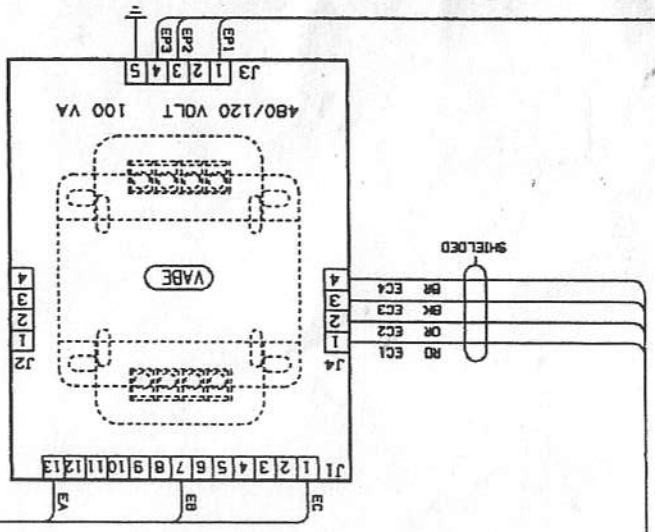
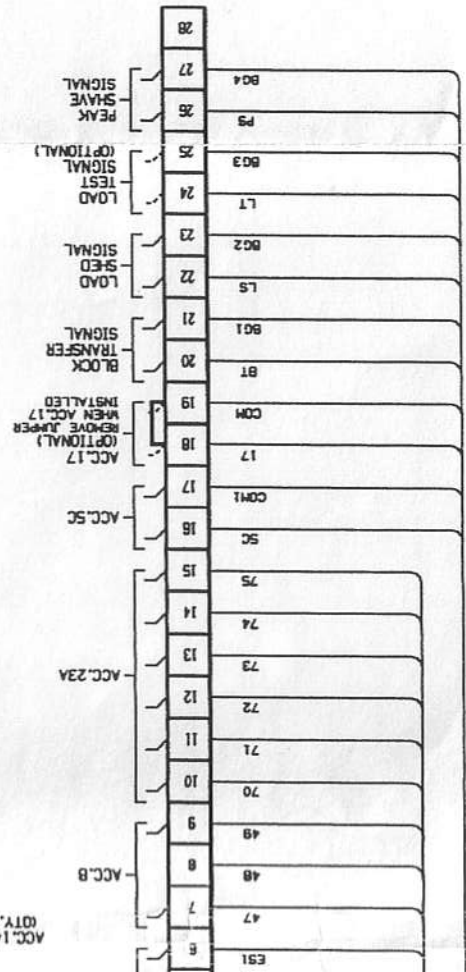
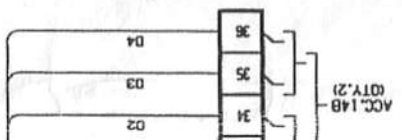


TO NORMAL BUS
 TO SWITCH BASE (M1, M2)
 TO SWITCH BASE (T5N)
 TO SWITCH BASE (T5E)
 TO EMERGENCY BUS



TO ATSCS (J1) SHIELDED RUN ON OUTSIDE OF BUNDLE
 TO ATSCS (J4) SHIELDED
 TO ATSCS (J3) SHIELDED
 TO ATSCS (J5) SHIELDED
 TO ATSCS (J2) SHIELDED RUN ON OUTSIDE OF BUNDLE





WIRING HARNESS INFORMATION

TWO SEPARATE WIRING HARNESSES ARE PROVIDED. WIRES THAT RUN TO THE TRANSFER SWITCH BASE EXIT THE RELAY PLATE FROM THE UPPER AND LOWER SECTION. WIRES THAT RUN TO THE MICROPROCESSOR ARE BUNDLED TOGETHER AND EXIT THE UPPER SECTION OF THE RELAY PLATE.

RELAY PLATE		TITLE	
REFER TO DWG. NO. E36889		RELAY PLATE	
7.437" W x 37.875" H		WIRING DIAGRAM	
RUSSELECTRIC INC.			
SOUTH SHORE PARK, HINGHAM, MA. 02043			
DFTM.	CPM	DWG. NO.	REV.
CHKD.	5-13-99	25641-1	0
APPD.	ML	51399	SHEET NO. 3 CONT'D. ON SHEET NO. 4

